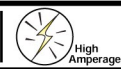
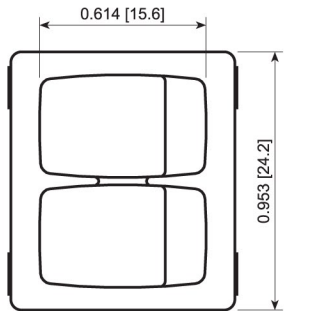


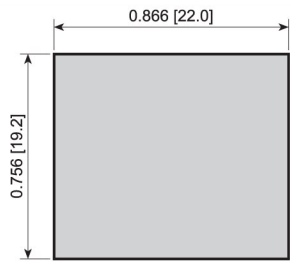
RA2 Series



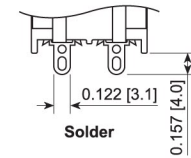
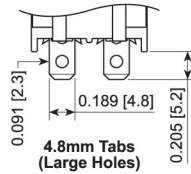
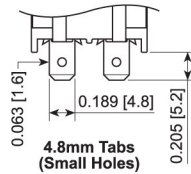
ROCKER



Panel Cutout



Terminal Options



FEATURES:

- High Rating with UL and VDE Approvals
- Different Function Combinations Possible
- PVC Cap for Dust and Water Protection

SPECIFICATIONS:

RATING: RATING OPTION C:

- 16A 125VAC, 10A 250VAC [UL, cUL]
- 1/3HP 125/250VAC 105°C [UL, cUL]
- 10(4)A 250V- T125 1E4 [VDE]
- 10(2)A 250V- T85 5E4 [VDE]

RATING OPTION 3:

- 10A 125VAC [cULus]
- 6(2)A 250V- T125 1E4 [VDE]

TEMPERATURE: -20°C to 105°C [UL, cUL]
-20°C to 125°C [VDE]

ELECTRICAL LIFE: 10,000 Cycles

CONTACT RESISTANCE: 35mΩ Max.

INSULATION RESISTANCE: 100MΩ Min. at 500VDC

DIELECTRIC STRENGTH: 1,500VAC for 1 Minute

INGRESS PROTECTION: IP54 with PVC Cap

MATERIALS:

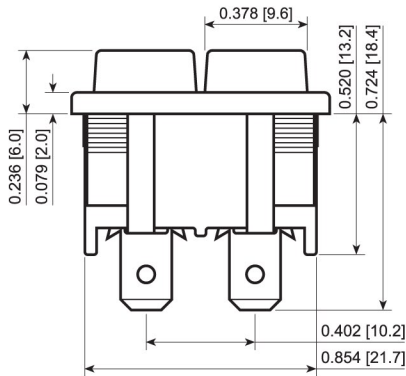
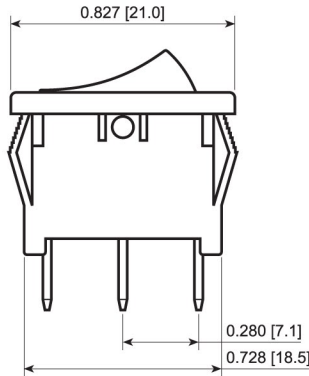
Body: Polyamide 6/6, UL94 V-2

ACTUATOR: Polyamide 6/6, UL94 V-2

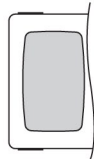
Polycarbonate, UL94 V-2

CONTACTS: Silver Alloy

TERMINALS: Silver Plated Copper

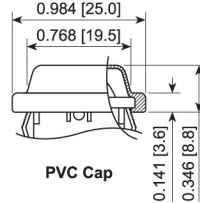


Illumination Options



Signal Light

Water Protection Options



PVC Cap



RA21(002000-108)+(5C221V)



RA21131121



RA21(131921)+(331100)



RA21131100

SPECIFICATIONS SUBJECT TO CHANGE WITHOUT NOTICE

Series	Terminal	Function	Rating	Body Color	Actuator Color	Marking Color	Marking Type	Lens Style	Lens Color	Lamp Voltage
RA2	1 - 4.8mm Tab (Small Hole) 2 - Solder 8 - 4.8mm Tab (Large Hole)	0 - Signal 1 - Off-On 3 - On-On 4 - Off-(On) 5 - On-Off-On A - On-(Off)	0 - Signal 3 - 10A 125V C - 16A 250V	1 - Black 2 - White 3 - Almond 4 - Grey 9 - Red	0 - Signal 1 - Black 2 - White 3 - Almond 4 - Grey 5 - Orange 7 - Blue 8 - Green 9 - Red	0 - None 1 - Black 2 - White 8 - Red	0 - None 1 - I/O Vert. 2 - ON/OFF/ON Vert. 3 - ON/OFF Vert. 4 - ON/OFF Horiz. 9 - I/O/II Horiz. S - I/O/II Vert. R - I/O Horiz.	1 - Signal	0 - Clear 1 - Red 2 - Amber 3 - Green 4 - Blue 5 - Yellow	3 - 6V 4 - 12V 6 - 125V 7 - 250V

Custom Colors and Markings Available Upon Request

For Signal Lights Only

Note: The second set of parentheses have the same format as the first set. They only need to be included if the two actuators differ. See the part number examples for details.

EXAMPLE PART NUMBERS:

RA21131100 2x1P Off-On
Black Body/Actuator, 4.8mm Tab, No Marking

RA21131121 2x1P Off-On
Black Body/Actuator, 4.8mm Tab, I/O Vert.

RA22131121 2x1P Off-On
Black Body/Actuator, Solder, I/O Vert.



E-SWITCH®

www.e-switch.com

800.867.2717