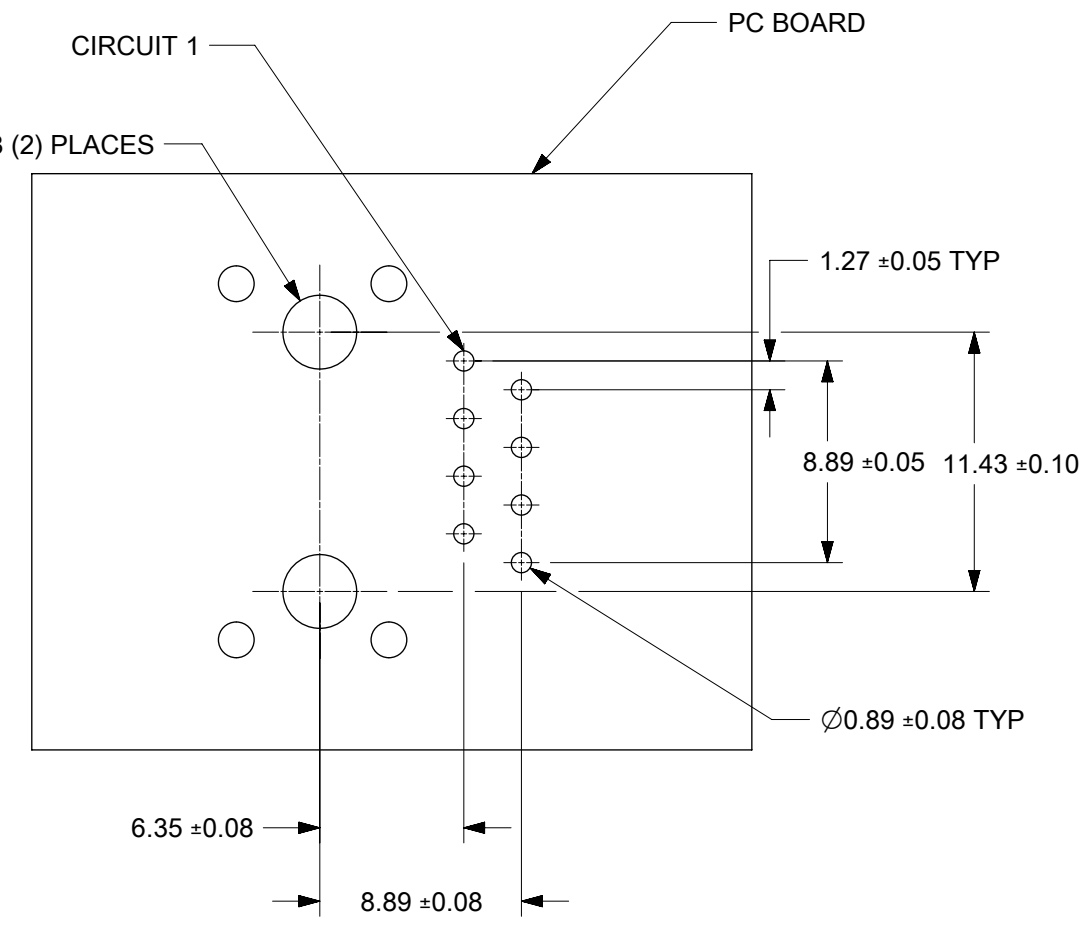


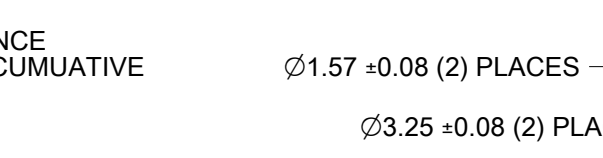
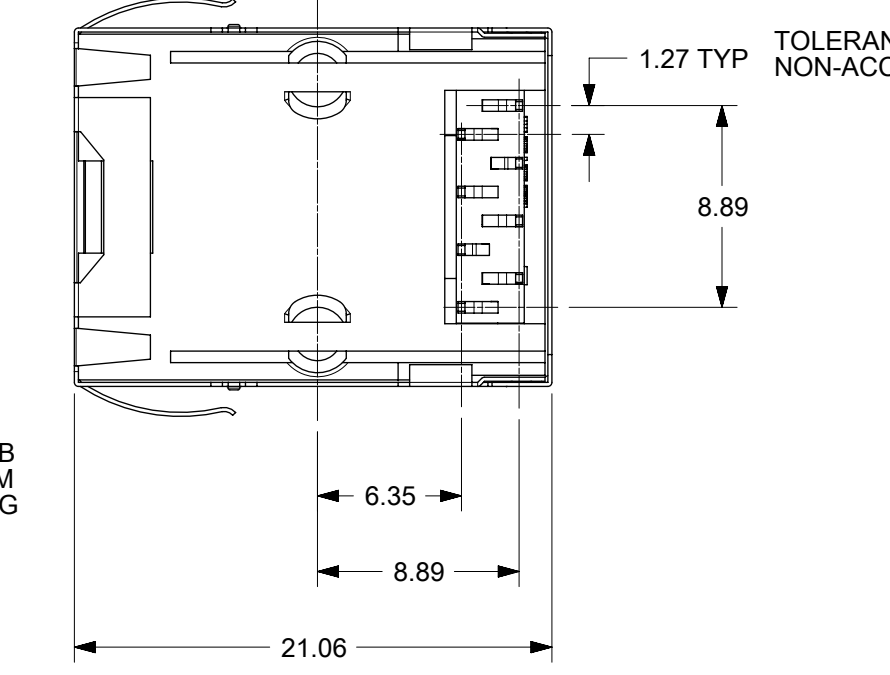
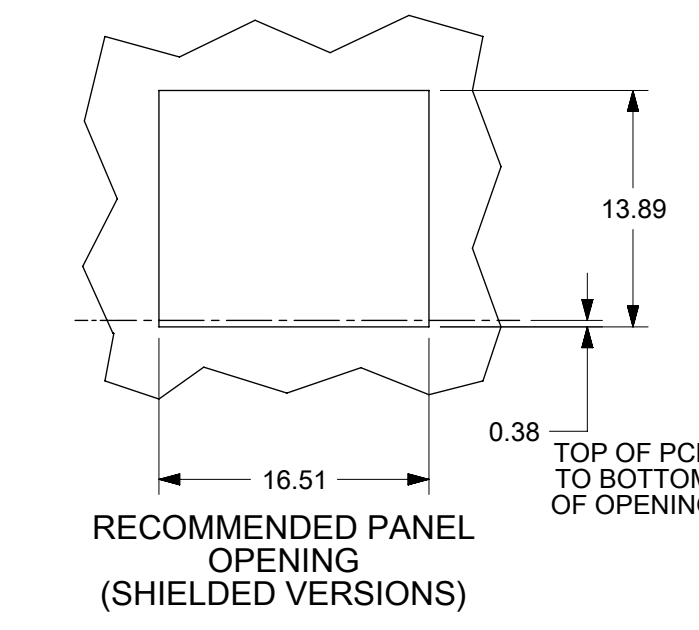
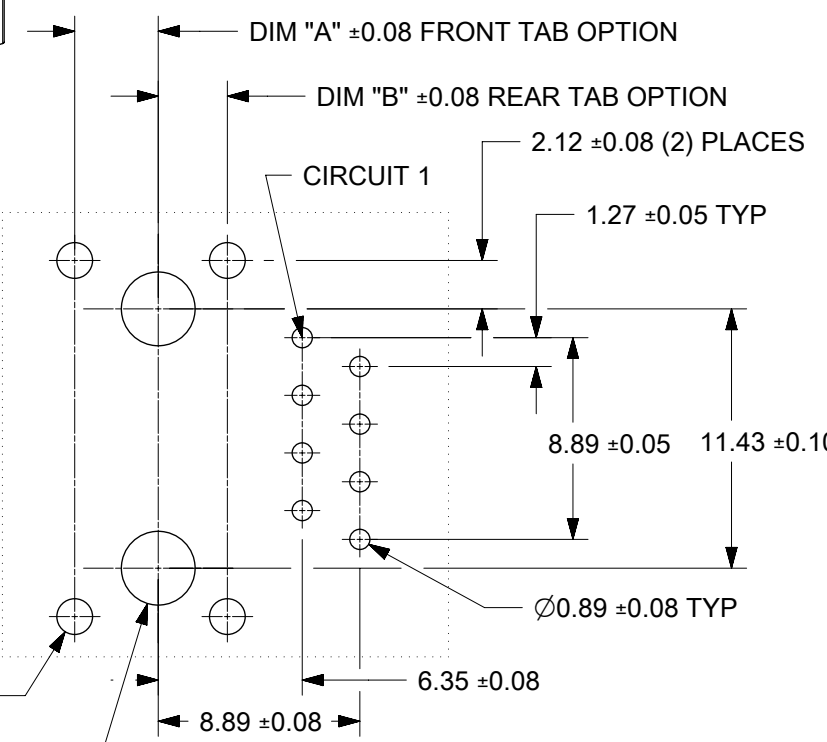
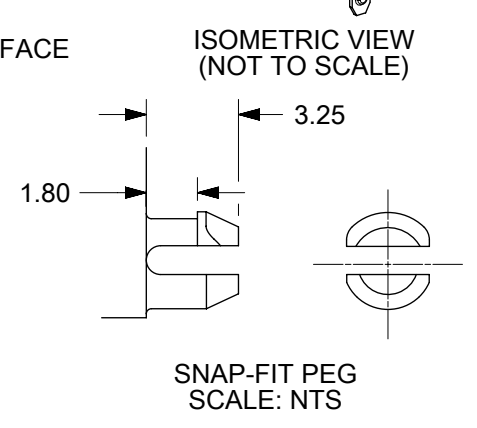
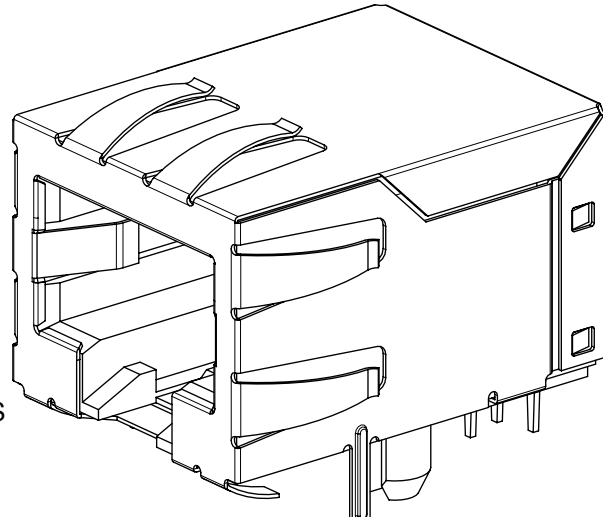
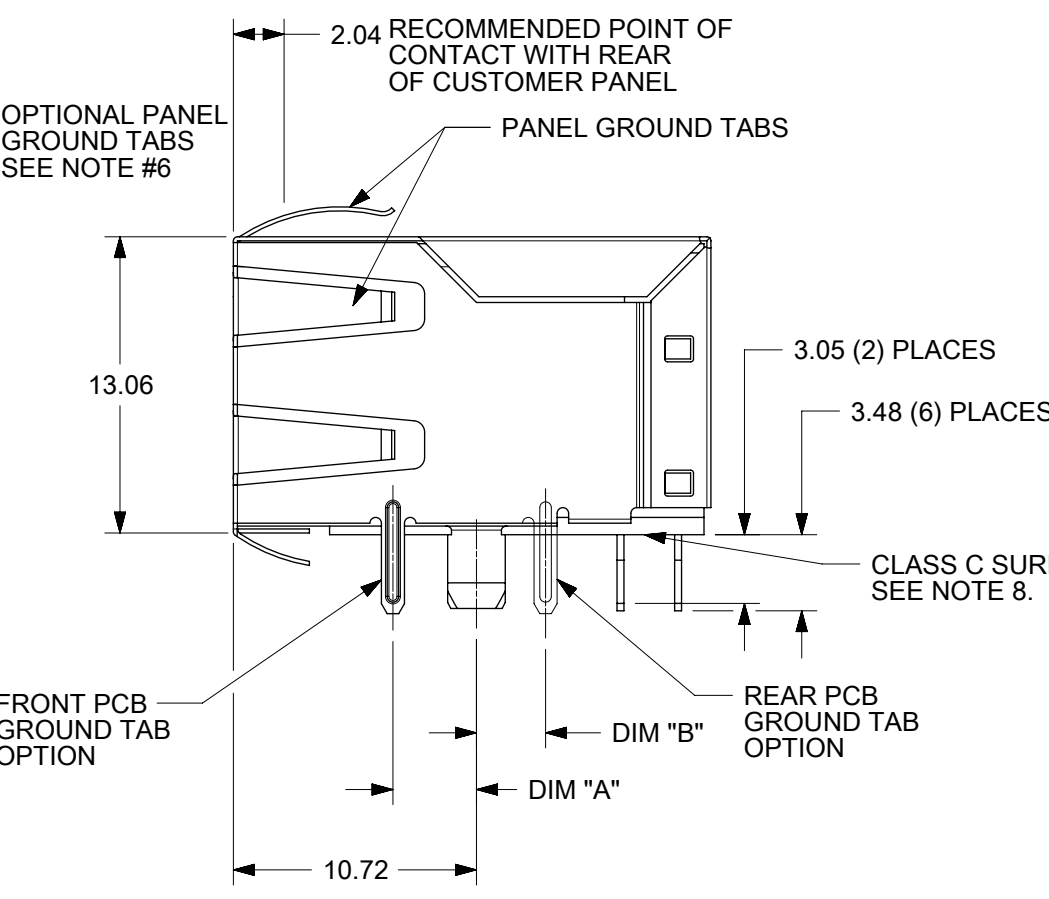
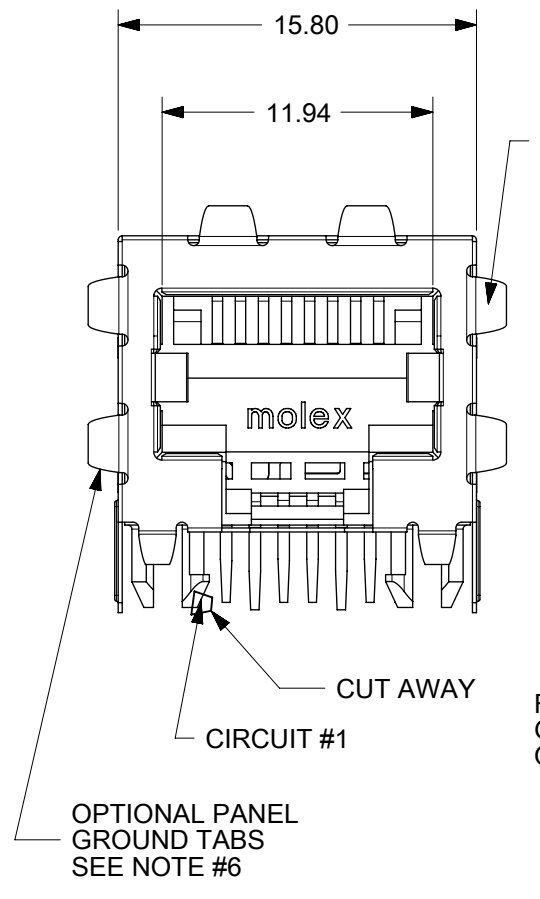
SNAP-FIT PEG
SCALE: NTS



PCB LAYOUT: COMPONENT SIDE
RECOMMENDED PCB THICKNESS: 1.57

- NOTES:
- 1) MATERIAL:
HOUSING: NYLON(PA), GLASS FILLED, UL94V-0, COLOR: BLACK
TERMINALS: PHOSPHOR BRONZE
 - 2) FINISH:
TERMINALS:
SELECT GOLD IN CONTACT AREA: 1.27 MICROMETERS MIN.,
SELECT MATTE TIN IN PC TAIL AREA: 2.54 MICROMETERS MIN.,
WITH OVERALL NICKEL UNDERPLATE: 1.27 MICROMETERS MIN.
 - 3) PRODUCT SPECIFICATION AND PROCESSING PARAMETERS: PS-44050-003.
 - 4) PACKAGING SPECIFICATION:
CONNECTOR ASSEMBLIES IN THERMOFORMED TRAYS PER MOLEX PACKAGING SPECIFICATION PK-44050-004.
 - 5) MATES WITH: MODULAR PLUGS THAT CONFORM TO FCC REGULATION PART 68.5.
 - 6) TERMINAL LENGTHS MAY BE DIFFERENT FROM TERMINAL TO TERMINAL.
 - 7) THIS PART CONFORMS TO CLASS B REQUIREMENTS OF COSMETIC SPECIFICATION PS-45499-002 WITH THE EXCEPTION OF THE SURFACE INDICATED, WHICH IS A CLASS C SURFACE.

FUNCTIONAL SYMBOLS	THIS DRAWING CONTAINS INFORMATION THAT IS PROPRIETARY TO MOLEX ELECTRONIC TECHNOLOGIES, LLC AND SHOULD NOT BE USED WITHOUT WRITTEN PERMISSION									
	$\nabla_A = 0$ $\nabla_E = 0$ $\nabla_V = 0$	DIMENSION UNITS: mm SCALE: 4:1				CURRENT REV DESC: MIGRATED TO NX EC NO: 709829 DRWN: CCV CHK'D: KLANG APPR: KLANG	2018/02/27 2022/06/29 2022/06/29	CATEGORY 5 MODULAR JACK ASSEMBLIES, SINGLE PORT PRODUCT CUSTOMER DRAWING		
DIVISIONAL SYMBOLS	GENERAL TOLERANCES (UNLESS SPECIFIED)		DOCUMENT NUMBER							
	ANGULAR TOL ± 0.5° 4 PLACES ± 3 PLACES ± 2 PLACES ± 0.25 1 PLACE ± 0 PLACES ±		SD-44050-002 PSD 001 E5							
DRAFT WHERE APPLICABLE MUST REMAIN WITHIN DIMENSIONS		THIRD ANGLE PROJECTION	DRAWING	SERIES	MATERIAL NUMBER	CUSTOMER	DOC TYPE	DOC PART	REVISION	SHEET NUMBER
			A3-SIZE	44050	SEE CHART	GENERAL MARKET				1 OF 2



PCB LAYOUT: COMPONENT SIDE
RECOMMENDED PCB THICKNESS: 1.57

- NOTES:
- MATERIAL:
HOUSING: NYLON(PA), GLASS FILLED, UL94V-0, COLOR: BLACK
TERMINALS: PHOSPHOR BRONZE
SHIELD: BRASS
 - FINISH:
TERMINALS:
SELECT GOLD IN CONTACT AREA: 1.27 MICROMETERS MIN.,
SELECT TIN IN PC TAIL AREA: 2.54 MICROMETERS MIN.,
WITH OVERALL NICKEL UNDERPLATE: 1.27 MICROMETERS MIN.
 - SHIELD:
2.54 MICROMETERS NICKEL OVER 1.27 MICROMETERS
COPPER UNDERPLATE, PCB GROUND TABS DIPPED IN TIN
 - PRODUCT SPECIFICATION AND PROCESSING PARAMETERS: PS-44050-003.
 - PACKAGING SPECIFICATION:
CONNECTOR ASSEMBLIES IN THERMOFORMED TRAYS PER MOLEX PACKAGING SPECIFICATION PK-44050-004.
 - MATES WITH: MODULAR PLUGS THAT CONFORM TO FCC REGULATION PART 68.5.
 - AVAILABLE WITH THE (2) SPECIFIED PANEL GROUND TABS OMITTED FOR SIDE TO SIDE STACKABILITY, PER THE ASSEMBLY MATERIAL NUMBER TABLE.
 - TERMINAL LENGTHS MAY BE DIFFERENT FROM TERMINAL TO TERMINAL.
 - THIS PART CONFORMS TO CLASS B REQUIREMENTS OF COSMETIC SPECIFICATION PS-45499-002 WITH THE EXCEPTION OF THE SURFACE INDICATED, WHICH IS A CLASS C SURFACE.

"X"=NOT TOOLED	ASSEMBLY MATERIAL NUM	DIM "A"	DIM -B-	PANEL GROUND TAB OPTION
	440500007	3.05	N/A	ALL
	440500002	3.68	N/A	ALL
	440500006	4.57	N/A	ALL
	440500003	N/A	3.05	ALL
X	440500009	3.05	N/A	SEE NOTE #6
X	440500004	3.68	N/A	SEE NOTE #6
X	440500008	4.57	N/A	SEE NOTE #6
X	440500005	N/A	3.05	SEE NOTE #6

THIS DRAWING CONTAINS INFORMATION THAT IS PROPRIETARY TO MOLEX ELECTRONIC TECHNOLOGIES, LLC AND SHOULD NOT BE USED WITHOUT WRITTEN PERMISSION

FUNCTIONAL SYMBOLS: \sqrt{A} = 0, \sqrt{E} = 0, \sqrt{P} = 0

DIMENSION UNITS: mm, SCALE: 4:1

GENERAL TOLERANCES (UNLESS SPECIFIED): ANGULAR TOL ± 0.5°

DIVISIONAL SYMBOLS: 4 PLACES ±, 3 PLACES ±, 2 PLACES ± 0.25, 1 PLACE ±, 0 PLACES ±

EC NO: 709829, DRWN: CCV, 2018/02/27, CHK'D: KLANG, APPR: KLANG, 2022/06/29

INITIAL REVISION: DRWN: KMARANTO, 0097/12/11, APPR: MMAYO, 0099/04/16

THIRD ANGLE PROJECTION

DRAWING: A3-SIZE, SERIES: 44050, MATERIAL NUMBER: SEE CHART, CUSTOMER: GENERAL MARKET, SHEET NUMBER: 2 OF 2

DOCUMENT NUMBER: SD-44050-002, DOC TYPE: PSD, DOC PART: 001, REVISION: E5

PRODUCT CUSTOMER DRAWING