

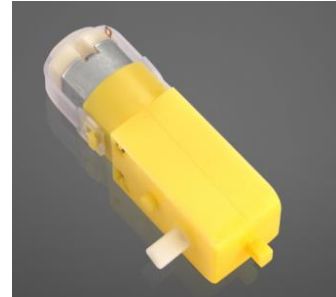
TGP01S-A130

PMDC Dc Gear Motor

TGP plastic gears gearbox plus A130 permanent magnet DC motor

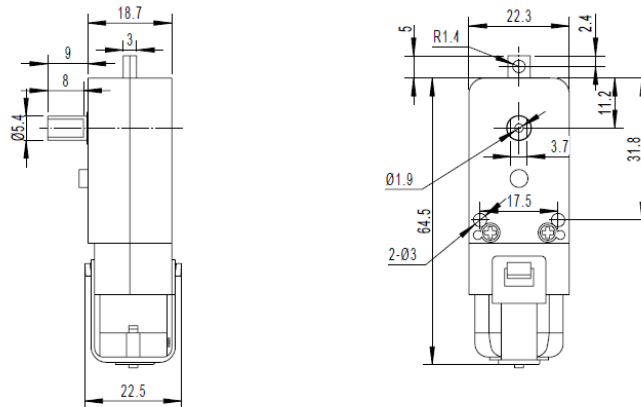
Characters:

1. Small size dc gear motor with low speed and big torque
2. Suitable to small diameter, low noise and big torque application
3. Reduction Ratio: 48、120、180、220、288



Gear Motor Dimensions (mm)

10 g



Motor Technical Data

| Type | Rated voltage | No-load speed | No-load current | Rated speed | Rated torque | Rated current | Output power | Stall torque | Stall current |
|-----------------|---------------|---------------|-----------------|-------------|--------------|---------------|--------------|--------------|---------------|
| | VDC | r/min | mA | r/min | g.cm | mA | W | g.cm | A |
| TFE-130SA-10300 | 6 | 6500 | 60 | | | | | 25 | 0.55 |
| TFE-130RA-12215 | 6 | 11500 | 120 | | | | | 20 | 0.85 |
| TFE-130RA-14175 | 3 | 8000 | 120 | | | | | 13 | 0.70 |
| TFE-130RA-18100 | 3 | 11500 | 250 | | | | | 20 | 1.80 |
| TFE-130RA-2270 | 3 | 17000 | 300 | | | | | 30 | 3.50 |

Motor Technical Data

| Type | Rated voltage | No-load speed | No-load current | Rated speed | Rated torque | Rated current | Output power | Stall torque | Stall current |
|------------------------|---------------|---------------|-----------------|-------------|--------------|---------------|--------------|--------------|---------------|
| | VDC | r/min | mA | r/min | g.cm | mA | W | g.cm | A |
| TGP01S-A130S-10300-288 | 6 | 20 | 100 | | | | | 5000 | 0.55 |
| TGP01S-A130-12215-48 | 6 | 230 | 180 | | | | | 1000 | 0.85 |
| TGP01S-A130-12215-120 | 6 | 95 | 180 | | | | | 1800 | 0.85 |
| TGP01S-A130-14175-120 | 3 | 55 | 170 | | | | | 1500 | 0.70 |
| TGP01S-A130-14175-220 | 3 | 35 | 200 | | | | | 2000 | 0.70 |
| TGP01S-A130-18100-220 | 3 | 50 | 350 | | | | | 3000 | 1.80 |