

Large Prototype Breadboard - PBU202

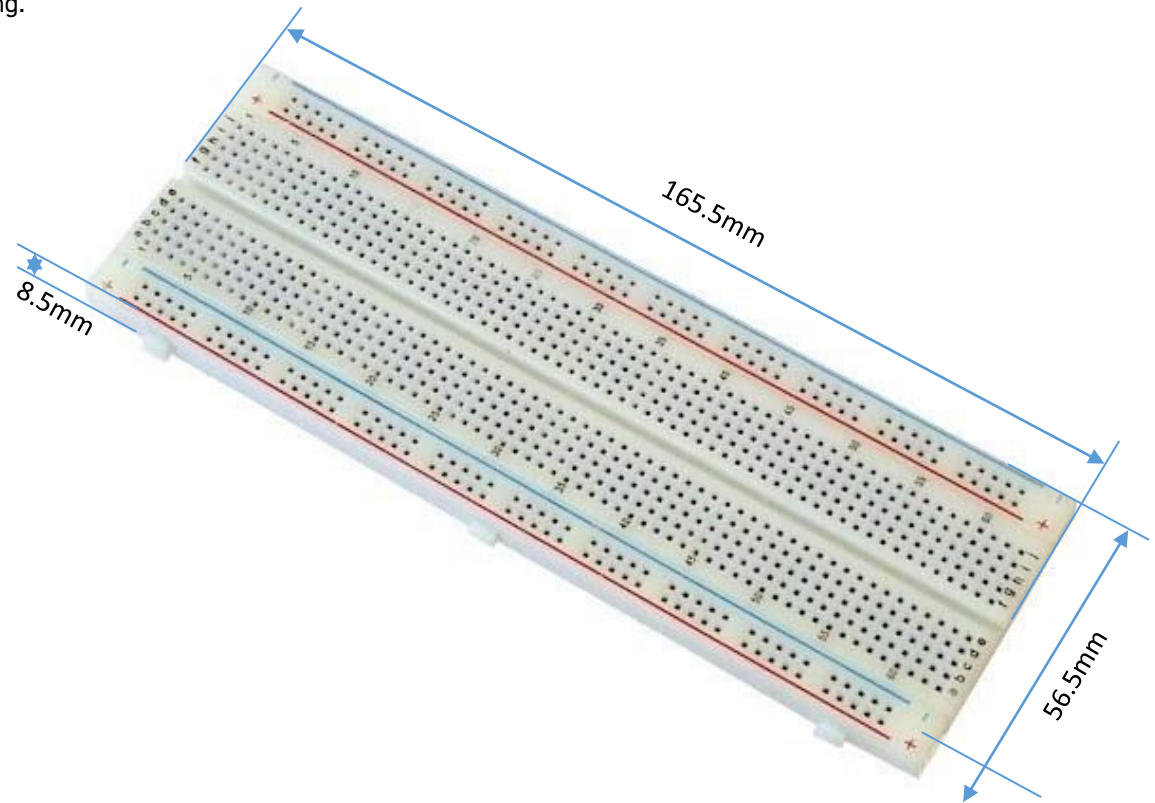
TECHNOLOGY DATA SHEET & SPECIFICATIONS

Introduction: A board for prototyping circuits. Components and wires can be placed into the board and the circuit built and tested without soldering.

Multiple boards can be interconnected. This board has 830 tie points.

Model number: PBU202

Size: 165.5mm x 56.5mm x 8.5 mm



Technical Information

Dimensions	56.5mm x 165.5mm x 8.5mm
Tie-Points	830
Wire Range	20 - 29 AWG
Insulation Material	ABS