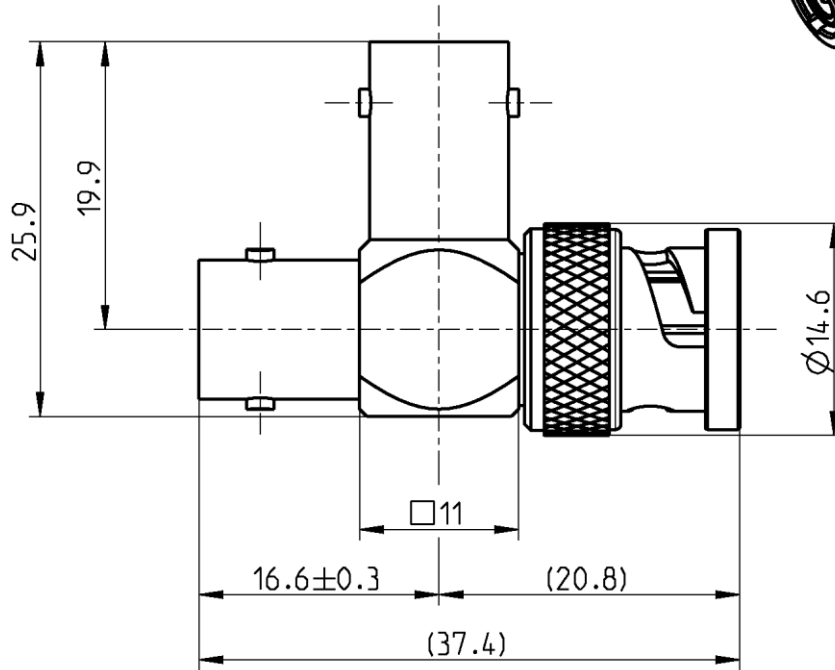


BNC 50 Ω Adaptor
Plug – Jack – Plug

51S303-K00N5



All dimensions are in mm; tolerances according to ISO 2768 m-H

Interface

According to DIN EN 61169-8

Documents

N/A

Material and plating

Connector parts

Center contact
Outer contact
Body
Dielectric
Gasket

Material

CuBe
Brass
Brass
PTFE
NeopreneCR 50C6

Plating

AuroDur®, gold plated
Flash white bronze over silver(e.g. Optargen®)
Flash white bronze over silver(e.g. Optargen®)

Dieses Dokument ist urheberrechtlich geschützt • This document is protected by copyright • Rosenberger Hochfrequenztechnik GmbH & Co. KG

RFB00035/12.20/6.4

Technical Data Sheet

Rosenberger

BNC 50 Ω Adaptor
Plug – Jack – Plug

51S303-K00N5

Electrical data

| | |
|--|-------------------------|
| Impedance | 50 Ω |
| Frequency | DC to 10 GHz |
| Insulation resistance | ≥ 5 x10 ³ MΩ |
| Center contact resistance | ≤ 1.5 mΩ |
| Outer contact resistance | ≤ 1 mΩ |
| Test voltage | 1500 V rms |
| Working voltage | 400 V rms |
| Power handling (at 20 °C, sea level, VSWR 1.0) | ≤ 80 W @ 2 GHz |

Mechanical data

| | |
|-----------------------------------|--------|
| Mating cycles | ≥ 500 |
| Center contact captivation: axial | ≥ 15 N |

Environmental data

| | |
|---------------------|---------------------------------|
| Temperature range | -55°C to +155°C |
| Thermal shock | MIL-STD-202, Meth. 107, Cond. B |
| Corrosion | MIL-STD-202, Meth. 101, Cond. B |
| Vibration | MIL-STD-202, Meth. 204, Cond. B |
| Shock | MIL-STD-202, Meth. 213, Cond. G |
| Moisture resistance | MIL-STD-202, Meth. 106 |
| RoHS | compliant |

Tooling

N/A

Suitable cables

N/A

Weight

Weight 24.2 g/pce

While the information has been carefully compiled to the best of our knowledge, nothing is intended as representation or warranty on our part and no statement herein shall be construed as recommendation to infringe existing patents. In the effort to improve our products, we reserve the right to make changes judged to be necessary.

For the installation of the electrotechnical equipment, particular electrotechnical expertise is required.



| Draft | Date | Approved | Date | Rev. | Engineering change number | Name | Date |
|--|----------|-------------|----------|--|---------------------------|----------------|---------------|
| Chr. Entsfellner | 17.07.08 | Chr. Janßen | 21.12.20 | f00 | 20-1927 | S. Huber-Siegl | 21.12.20 |
| Rosenberger Hochfrequenztechnik GmbH & Co. KG P.O.Box 1260 D-84526 Tittmoning Germany www.rosenberger.com | | | | Tel. : +49 8684 18-0 Email : info@rosenberger.com | | | Page 2 / 2 |

Mouser Electronics

Authorized Distributor

Click to View Pricing, Inventory, Delivery & Lifecycle Information:

[Rosenberger:](#)

[51S303-K00N5](#)