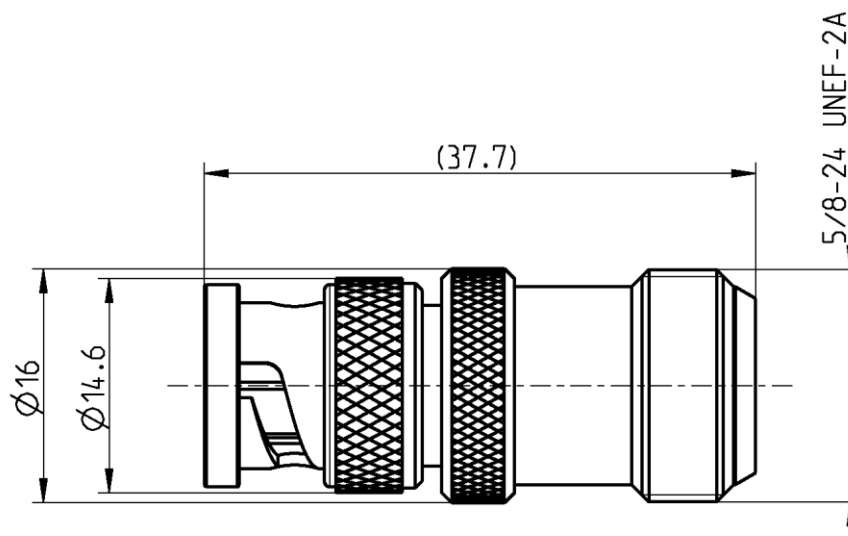
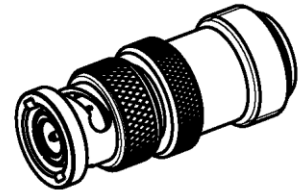


BNC 50 Ω Adaptor  
 BNC 50 Ω Plug –  
 N 50 Ω Jack

**51S153-K00N5**



All dimensions are in mm; tolerances according to ISO 2768 m-H

**Interface**

According to BNC side: DIN EN 61169-8  
 N side: IEC 61169-16, MIL-PRF-39012, CECC 22210

**Documents**

N/A

**Material and plating**

**Connector parts**

Center contact BNC and N side  
 Outer contact BNC and N side  
 Body  
 Dielectric  
 Gasket

**Material**

CuBe  
 Brass  
 Brass  
 PTFE  
 NeopreneCR 50C6

**Plating**

AuroDur®, gold plated  
 Flash white bronze over silver(e.g. Optargen®)  
 Flash white bronze over silver(e.g. Optargen®)

Dieses Dokument ist urheberrechtlich geschützt • This document is protected by copyright • Rosenberger Hochfrequenztechnik GmbH & Co. KG

RFB00035/12.20/6.4

BNC 50 Ω Adaptor  
BNC 50 Ω Plug –  
N 50 Ω Jack

**51S153-K00N5**

**Electrical data**

Impedance	50 Ω	
Frequency	DC to 10 GHz	
Return loss	≥ 35 dB, DC to 1 GHz	
	≥ 30 dB, 1 to 2.5 GHz	
	≥ 26 dB, 2.5 to 3 GHz	
Insertion loss	≤ 0.05 x √f [GHz] dB	
Insulation resistance	≥ 5 x10 <sup>3</sup> MΩ	
Center contact resistance	≤ 1.5 mΩ, BNC side;	≤ 1 mΩ, N side
Outer contact resistance	≤ 1 mΩ, BNC side;	≤ 0.25 mΩ, N side
Test voltage	1500 V rms	
Working voltage	400 V rms	
Power handling (at 20 °C, sea level, VSWR 1.0)	≤ 80 W @ 2 GHz	

**Mechanical data**

	BNC side	N side
Mating cycles	min. 500	min. 500
Center contact captivation: axial	≥ 28 N	≥ 28 N
Coupling test torque	N/A	max. 1.7 Nm
Recommended torque	N/A	0.7 Nm to 1.1 Nm

**Environmental data**

Temperature range	-55°C to +155°C
Thermal shock	MIL-STD-202, Meth. 107, Cond. B
Corrosion	MIL-STD-202, Meth. 101, Cond. B
Vibration	MIL-STD-202, Meth. 204, Cond. B
Shock	MIL-STD-202, Meth. 213, Cond. G
Moisture resistance	MIL-STD-202, Meth. 106
RoHS	compliant

**Tooling**

N/A

**Suitable cables**

N/A

**Weight**

Weight 31.9 g/pce

While the information has been carefully compiled to the best of our knowledge, nothing is intended as representation or warranty on our part and no statement herein shall be construed as recommendation to infringe existing patents. In the effort to improve our products, we reserve the right to make changes judged to be necessary.

For the installation of the electrotechnical equipment, particular electrotechnical expertise is required.



Draft	Date	Approved	Date	Rev.	Engineering change number	Name	Date
Chr. Entsfellner	17.07.08	Chr. Janßen	21.12.20	f00	20-1927	S. Huber-Siegl	21.12.20
Rosenberger Hochfrequenztechnik GmbH & Co. KG P.O.Box 1260 D-84526 Tittmoning Germany <a href="http://www.rosenberger.com">www.rosenberger.com</a>						Tel. : +49 8684 18-0 Email : <a href="mailto:info@rosenberger.com">info@rosenberger.com</a>	
						Page 2 / 2	

# Mouser Electronics

Authorized Distributor

Click to View Pricing, Inventory, Delivery & Lifecycle Information:

[Rosenberger:](#)

[51S153-K00N5](#)