

## Accessories, MS series

**FESTO**



Festo Core Range  
Solves the majority of your automation tasks


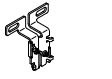




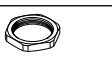
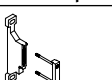
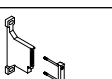
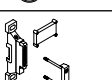
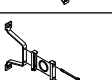

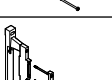
Worldwide: Quickest delivery – wherever, whenever  
Simply good: Expected high Festo quality  
Fast: Easy and fast to select

With the Festo Core Range, we have selected the most important products and functions from our broad product catalogue, and added the quickest delivery.



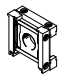
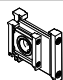

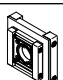
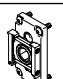
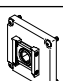

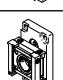

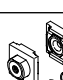

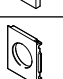
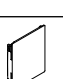
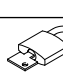
The Core Range offers you the best value for your automation tasks.

Just look  
for the  
star!

Product range overview

Type	Accessories for size					
	MS2	MS4	MS6	MS9	MS12	
<b>Mounting components for individual components</b>						
Mounting bracket MS-WB		-	■ → 6	■ → 6	-	-
Mounting bracket MS-WBM		-	■ → 7	-	-	-
Mounting bracket MS-WR		■ → 4	■ → 8	■ → 8	-	-
Mounting bracket Basic MS-WR-B		-	■ → 8	■ → 8	-	-
Nut MS-WRS		■ → 4	-	-	-	-
Plug screw MS-G18S		■ → 5	-	-	-	-
Hex nut MS-WRS		-	■ → 9	■ → 9	-	-
<b>Mounting components for individual components/combinations</b>						
Mounting bracket MS-WP		-	■ → 11	■ → 11	■ → 20	■ → 24
Mounting bracket MS-WPB		-	■ → 12	■ → 12	■ → 21	-
Mounting bracket MS-WPM		-	■ → 13	■ → 14	■ → 22	-
Mounting bracket MS-WPE		-	■ → 15	■ → 15	-	-
Mounting bracket Basic MS-WPE-B		-	■ → 15	■ → 15	-	-
Wall mounting set MS-WPG		-	-	■ → 16	-	-

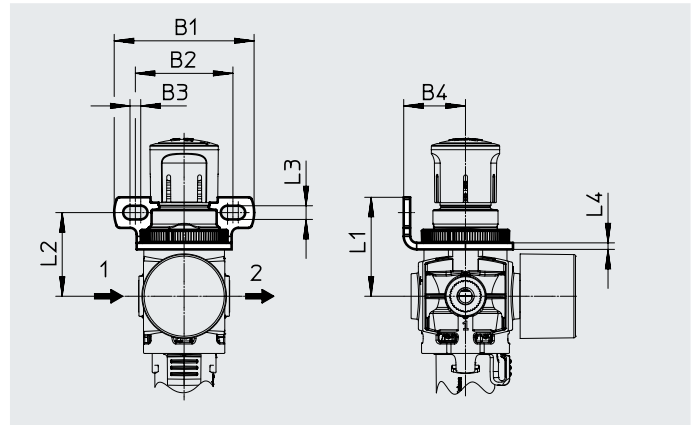
## Product range overview

Type		Accessories for size				
		MS2	MS4	MS6	MS9	MS12
<b>Connector</b>						
Module connector MS-MV		-	■ → 17	■ → 17	■ → 23	■ → 25
Module connector MS-MVM		-	■ → 18	■ → 18	-	-
Module connector MS-RMV		-	■ → 27	■ → 27	■ → 33	-
Module connector MS-AMV		-	■ → 28	■ → 28	-	-
		-	-	■ → 30	■ → 30	-
Module connector MS-ARMV		-	-	■ → 31	■ → 31, 34	■ → 34
<b>Adapter for mounting on profiles</b>						
Power supply modules MS-E-IPM-40-80		-	■ → 36	■ → 36	-	-
Power supply modules MS-E-IPM-80-80		-	■ → 37	■ → 37	-	-
Branching modules MS-A-IPM-80		-	■ → 38	■ → 38	-	-
Branching modules MS-A-RMV-IPM-80		-	■ → 39	■ → 39	-	-
Sealing rings MS-NNR		-	■ → 40	■ → 40	-	-
<b>Blanking plates</b>						
Connecting plate set MS-AG.../MS-AQ...		-	■ → 41	■ → 41	■ → 43	■ → 44
Cover cap MS-END		-	■ → 42	■ → 42	-	-
Mounting plate MS-AEND		-	■ → 42	■ → 42	-	-
<b>Covering kits</b>						
Covering kit MS...-RB-10		-	■ → 45	■ → 45	■ → 45	■ → 45
<b>Safety components</b>						
Padlock LRVS-D		-	■ → 46	■ → 46	■ → 46	■ → 46

## Mounting components MS2

### Mounting bracket MS2-WR-B

- For wall mounting
- For filter regulator, pressure regulator
- Knurled nut included in the scope of delivery



Dimensions							
B1	B2	B3	B4	L1	L2	L3	L4
±0.2						±0.1	
43	30	3.3	19	30.4	25.7	4.2	2

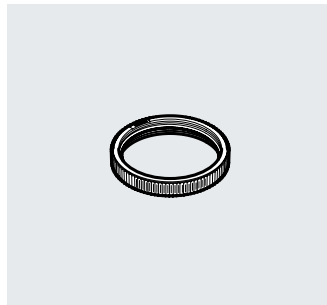
Materials	
Mounting bracket	Steel
Note on materials:	RoHS-compliant

Ordering data				
Size	CRC <sup>1)</sup>	Weight [g]	Part no.	Type
MS2	1	13.8	<b>8087978</b>	<b>MS2-WR-B</b>

1) Corrosion resistance class CRC 1 to Festo standard FN 940070  
 Low corrosion stress. Dry indoor application or transport and storage protection. Also applies to parts behind coverings, in the non-visible interior area, or parts that are covered in the application (e.g. drive trunnions).

### Nut MS2-WRS

- For front panel mounting



Materials	
Note on materials:	RoHS-compliant

Ordering data					
Size	PWIS conformity	CRC <sup>1)</sup>	Weight [g]	Part no.	Type
MS2	VDMA24364-B1/B2-L	1	0.7	<b>8098037</b>	<b>MS2-WRS</b>

1) Corrosion resistance class CRC 1 to Festo standard FN 940070  
 Low corrosion stress. Dry indoor application or transport and storage protection. Also applies to parts behind coverings, in the non-visible interior area, or parts that are covered in the application (e.g. drive trunnions).

## Mounting components MS2

### Plug screw MS2-G18S



#### Materials

Note on materials:	RoHS-compliant
--------------------	----------------

#### Ordering data

Size	PWIS conformity	CRC <sup>1)</sup>	Weight [g]	Part no.	Type
MS2	VDMA24364-B1/B2-L	1	4.6	<b>8095766</b>	<b>MS2-G18S</b>

1) Corrosion resistance class CRC 1 to Festo standard FN 940070

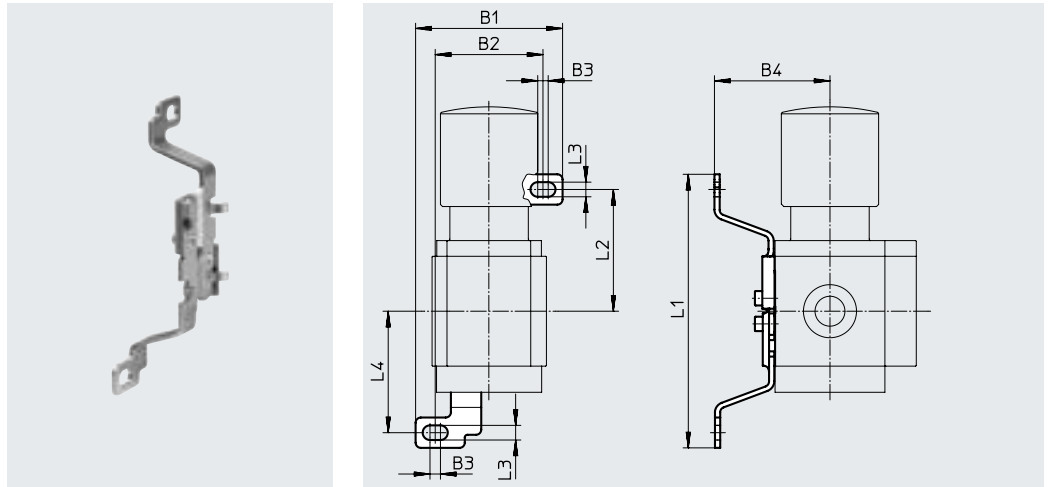
Low corrosion stress. Dry indoor application or transport and storage protection. Also applies to parts behind coverings, in the non-visible interior area, or parts that are covered in the application (e.g. drive trunnions).

## Mounting components MS4, MS6

### Mounting bracket MS4/6-WB

(order code: WB)

- For wall mounting



#### Operating and environmental conditions

Temperature of medium [°C]	-10 ... +60
Corrosion resistance class CRC <sup>1)</sup>	2

1) Corrosion resistance class CRC 2 to Festo standard FN 940070

Moderate corrosion stress. Indoor applications in which condensation can occur. External visible parts with primarily decorative surface requirements which are in direct contact with a normal industrial environment.

#### Materials

Bracket	Steel
Screws	Steel
Note on materials:	RoHS-compliant
	Free of copper and PTFE

### ★ Core Range

#### Dimensions and ordering data

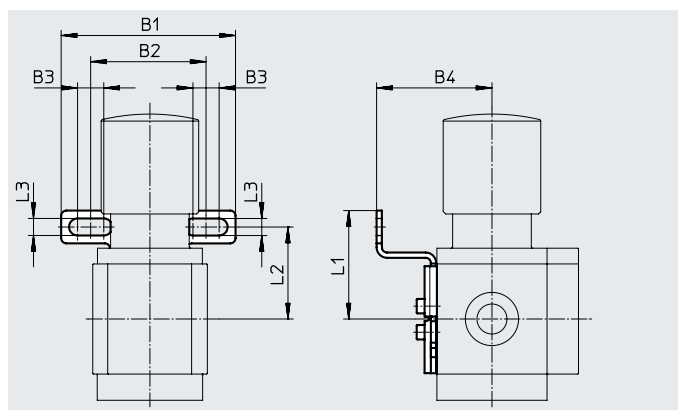
Size	B1	B2	B3	B4	L1	L2	L3	L4	Weight [g]	Part no.	Type
MS4	56.2	41.2	4	44.2	104.6	46.6	5.6	46.5	46	★ 532185	MS4-WB
MS6	79.4	61.9	4.5	55	157.6	71	6.6	71	121	★ 532196	MS6-WB

## Mounting components MS4, MS6

### Mounting bracket MS4-WBM

(order code: WBM)

- For wall mounting



#### Operating and environmental conditions

Temperature of medium	[°C]	-10 ... +60
Corrosion resistance class CRC <sup>1)</sup>		2

1) Corrosion resistance class CRC 2 to Festo standard FN 940070

Moderate corrosion stress. Indoor applications in which condensation can occur. External visible parts with primarily decorative surface requirements which are in direct contact with a normal industrial environment.

#### Materials

Bracket	Steel
Screws	Steel
Note on materials:	RoHS-compliant
	Free of copper and PTFE

#### Dimensions and ordering data

Size	B1	B2	B3	B4	L1	L2	L3	Weight [g]	Part no.	Type
MS4	66.5	44	10	44	41.3	35	6.5	48	526062	MS4-WBM

## Mounting components MS4, MS6

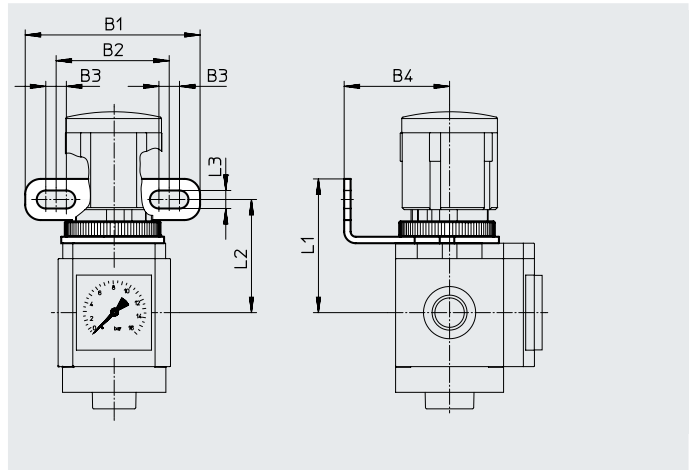
### Mounting bracket MS4/6-WR

(order code: WR)

- For wall mounting
- For filter regulator, pressure regulator



MS4/6-WR



**Note**

If a knurled nut is not included with the service unit component, a hex nut for mounting this bracket will need to be ordered separately.

### Mounting bracket MS4/6-WR-B

- For wall mounting
- For filter regulator, pressure regulator
- Knurled nut included in the scope of delivery



MS4/6-WR-B

### Operating and environmental conditions

Temperature of medium [°C]	-10 ... +60
Corrosion resistance class CRC <sup>1)</sup>	2

1) Corrosion resistance class CRC 2 to Festo standard FN 940070  
Moderate corrosion stress. Indoor applications in which condensation can occur. External visible parts with primarily decorative surface requirements which are in direct contact with a normal industrial environment.

### Materials

Bracket	Steel
Note on materials:	RoHS-compliant
	Free of copper and PTFE

## ★ Core Range

### Dimensions and ordering data

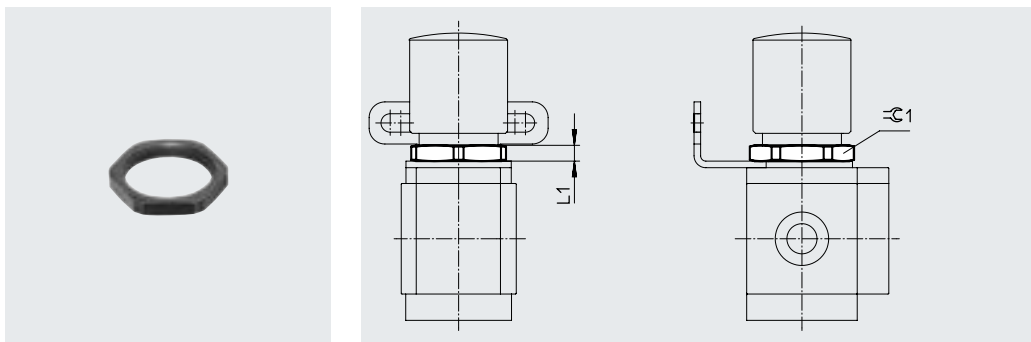
Size	B1	B2	B3	B4	L1	L2	L3	Weight [g]	Part no.	Type
<b>Size 4</b>										
For MS series	68	44	8	40	52	44	7	49	★ 526064	MS4-WR
For MS series, Basic version									8149680	MS4-WR-B
<b>Size 6</b>										
For MS series	70	42	8.2	40	67	57	7.1	90	★ 526075	MS6-WR
For MS series, Basic version									8149681	MS6-WR-B



## Mounting components MS4, MS6

### Hex nut MS4/6-WRS

- For front panel mounting
- For attaching the mounting bracket MS...-WR



### Operating and environmental conditions

Temperature of medium [°C]	-10 ... +60
Corrosion resistance class CRC <sup>1)</sup>	2

1) Corrosion resistance class CRC 2 to Festo standard FN 940070

Moderate corrosion stress. Indoor applications in which condensation can occur. External visible parts with primarily decorative surface requirements which are in direct contact with a normal industrial environment.

### Materials

Nut	Wrought aluminium alloy
Note on materials:	RoHS-compliant
	Free of copper and PTFE

### Dimensions and ordering data

Size	L1	∅ 1	Weight [g]	Part no.	Type
MS4	6	36	6.9	532187	MS4-WRS
MS6	7	55	20.9	532188	MS6-WRS

## Mounting components MS4, MS6

### Mounting bracket MS4/6-WP...

Spacing for mounting service unit combinations

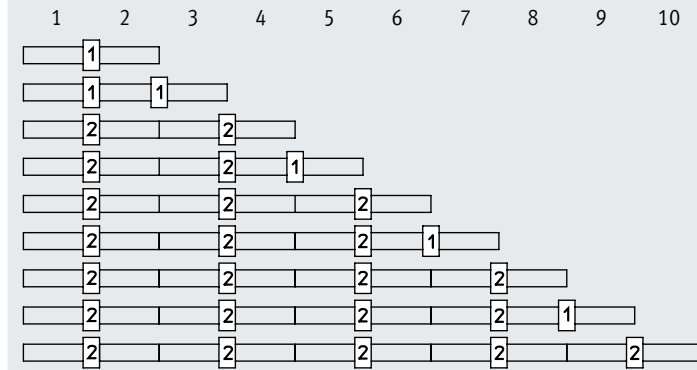
#### Size MS4

- 1 service unit component with MS4-WP... : 40.2 mm (20.1 mm)<sup>1)</sup>
- 2 service unit components with MS4-WP... : 80.4 mm (40.2 mm)<sup>1)</sup>

#### Size MS6

- 1 service unit component with
  - MS6-WP/WPB/WPE: 62 mm (31 mm)<sup>1)</sup>
  - MS6-WPM-D: 69 mm (38 mm)<sup>1)</sup>
- 2 service unit components with
  - MS6-WP/WPB/WPE: 124 mm (62 mm)<sup>1)</sup>
  - MS6-WPM-2D: 138 mm (76 mm)<sup>1)</sup>

#### Number of components



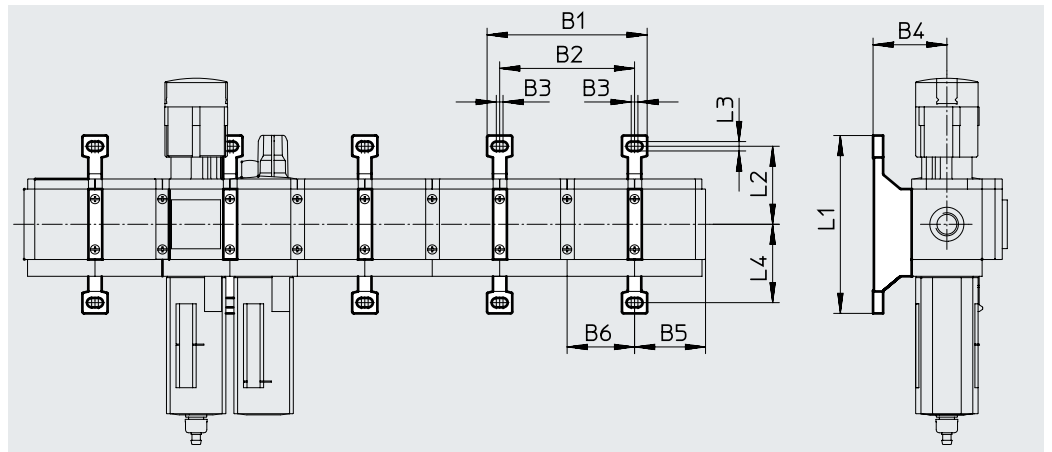
- [1] Mounting bracket WP, WPB, WPE or WPM-D
- [2] Mounting bracket WP, WPB, WPE or WPM-2D

1) With distributor block MS-FRM-FRZ

### Mounting dimensions

#### Note

The distributor block MS4/6-FRM-FRZ has half the normal grid dimension.



Type	2 service unit components with grid dimension		1 service unit component with grid dimension and 1 distributor block MS-FRM-FRZ		2 distributor blocks MS-FRM-FRZ		B3	B4	Service unit component with grid dimension		Distributor block MS-FRM-FRZ		L1	L2	L3	L4		
	B1	B2	B1	B2	B1	B2			B5 <sup>1)</sup>	B6	B5 <sup>1)</sup>	B6						
MS4-WP	95.4	80.4	75.3	60.3	55.2	40.2	4	44	41.9	40.2	21.8	20.1	106	46.5	5.6	46.7		
MS4-WPB/WPE								66								92.8	34.8	45.2
MS4-WPM-...D								44								92.8	34.8	45.2
MS6-WP	141	124	110	93	79	62	4.5	54.1	64.5	62	33.5	31	158	71	6.6	71		
MS6-WPB/WPE								90.5								98.6	41.3	41.3
MS6-WPM-...D								90.5								98.6	41.3	41.3

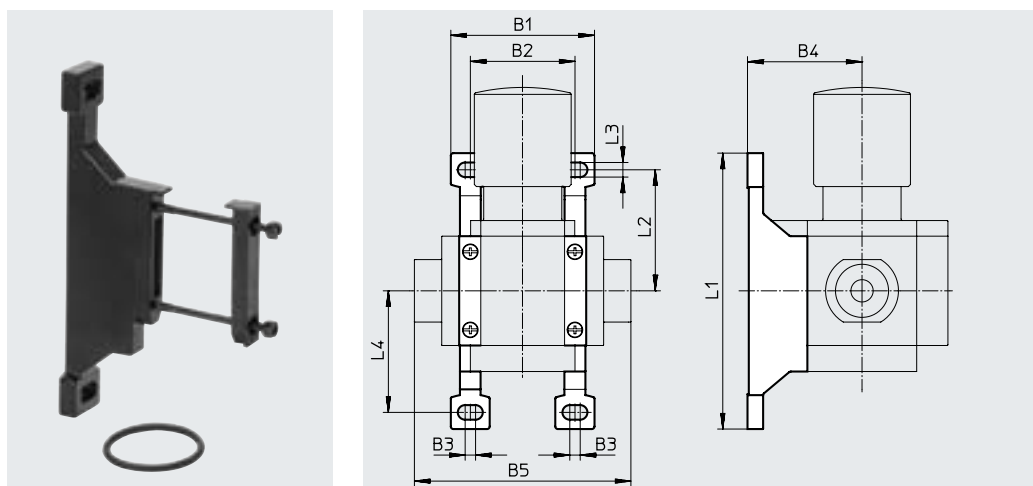
1) With cover cap MS-END as accessory

## Mounting components MS4, MS6

### Mounting bracket MS4/6-WP

(order code: WP)

- For connecting the modules for wall mounting
- In combination with connecting plate MS4/6-AG... for wall mounting an individual component
- In combination with mounting plate MS4/6-AEND for wall mounting an individual component
- For pressure regulator LRB with angled outlet block B... at the rear
- Same wall gap for combinations of series MS4 and MS6



### Operating and environmental conditions

Temperature of medium [°C]	-10 ... +60
Corrosion resistance class CRC <sup>1)</sup>	2

1) Corrosion resistance class CRC 2 to Festo standard FN 940070

Moderate corrosion stress. Indoor applications in which condensation can occur. External visible parts with primarily decorative surface requirements which are in direct contact with a normal industrial environment.

### Materials

Bracket	Die-cast aluminium
Module connector	POM, steel
Screws	Steel
Seals	NBR
Note on materials:	RoHS-compliant Free of copper and PTFE

### ★ Core Range

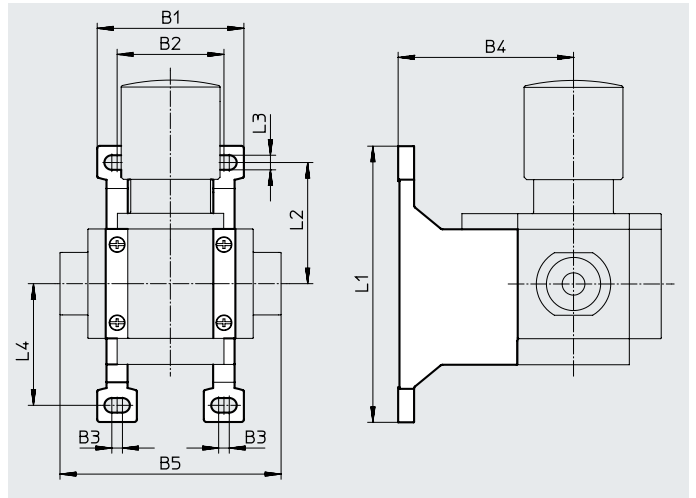
Dimensions and ordering data												
Size	B1	B2	B3	B4	B5	L1	L2	L3	L4	Weight [g]	Part no.	Type
MS4	55.2	40.2	4	44	83.4	106	46.5	5.6	46.7	39	★ 532184	MS4-WP
MS6	79	62	4.5	54.1	115	158	71	6.6	71	76	★ 532195	MS6-WP
For use in potentially explosive areas in zones 2 and 22												
MS4	55.2	40.2	4	44	83.4	106	46.5	5.6	46.7	39	541554	MS4-WP-EX
MS6	79	62	4.5	54.1	115	158	71	6.6	71	76	541544	MS6-WP-EX

## Mounting components MS4, MS6

### Mounting bracket MS4/6-WPB

(order code: WPB)

- For connecting the modules for wall mounting
- In combination with connecting plate MS4/6-AG... for wall mounting an individual component
- In combination with mounting plate MS4/6-AEND for wall mounting an individual component
- Provides large wall gap for pressure regulator



### Operating and environmental conditions

Temperature of medium [°C]	-10 ... +60
Corrosion resistance class CRC <sup>1)</sup>	2

1) Corrosion resistance class CRC 2 to Festo standard FN 940070

Moderate corrosion stress. Indoor applications in which condensation can occur. External visible parts with primarily decorative surface requirements which are in direct contact with a normal industrial environment.

### Materials

Bracket	Die-cast aluminium
Module connector	POM, steel
Screws	Steel
Seals	NBR
Note on materials:	RoHS-compliant Free of copper and PTFE

## ★ Core Range

### Dimensions and ordering data

Size	B1	B2	B3	B4	B5	L1	L2	L3	L4	Weight [g]	Part no.	Type
MS4	55.2	40.2	4	66	83.4	106	46.5	5.6	46.7	55	★ 526063	MS4-WPB
MS6	79	62	4.5	90.5	115	158	71	6.6	71	115	★ 526074	MS6-WPB

### For use in potentially explosive areas in zones 2 and 22

MS4	55.2	40.2	4	66	83.4	106	46.5	5.6	46.7	55	541552	MS4-WPB-EX
MS6	79	62	4.5	90.5	115	158	71	6.6	71	115	541542	MS6-WPB-EX

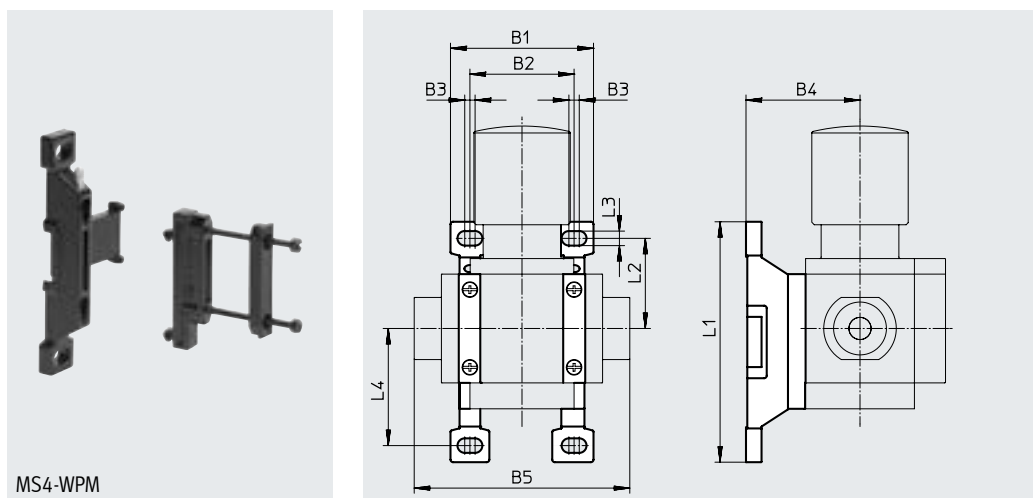
## Mounting components MS4, MS6

### Mounting bracket MS4-WPM

(order code: WPM)

- For connecting the modules for wall mounting
- In combination with connecting plate MS4-AG... for wall mounting an individual component
- Quick to mount and dismount
- For installing modules with control knob pointing downwards

The distance piece D or 2D included in the scope of delivery ensures the mounting spacing is maintained.



MS4-WPM

### Operating and environmental conditions

Temperature of medium [°C]	-10 ... +60
Corrosion resistance class CRC <sup>1)</sup>	2

1) Corrosion resistance class CRC 2 to Festo standard FN 940070

Moderate corrosion stress. Indoor applications in which condensation can occur. External visible parts with primarily decorative surface requirements which are in direct contact with a normal industrial environment.

### Materials

Bracket	Die-cast aluminium
Module connector	POM, steel
Screws	Steel
Seals	NBR
Note on materials:	RoHS-compliant
	Free of copper and PTFE

## ★ Core Range

### Dimensions and ordering data

Size	B1	B2	B3	B4	B5	L1	L2	L3	L4	Mounting spacing	Weight [g]	Part no.	Type
MS4	55.2	40.2	4	44	83.4	92.8	34.8	5.6	45.2	40.2	45	★ 526060	MS4-WPM-D
	95.4	80.4			123.4					80.4	55	526061	MS4-WPM-2D

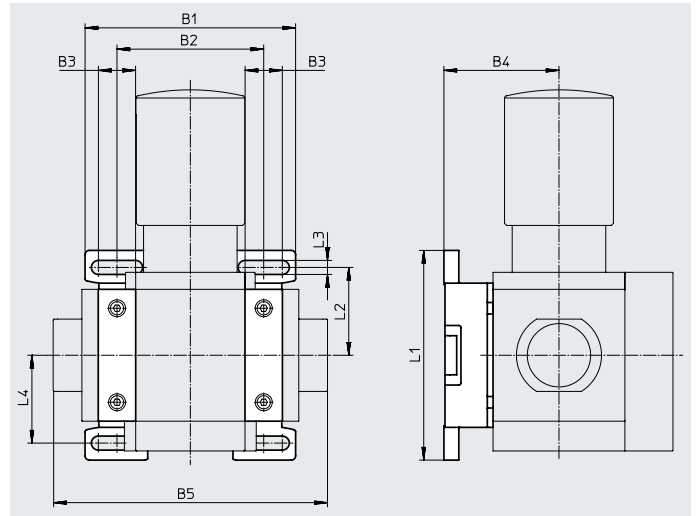
## Mounting components MS4, MS6

### Mounting bracket MS6-WPM

(order code: WPM)

- For connecting the modules for wall mounting
- In combination with connecting plate MS6-AG... for wall mounting an individual component
- Quick to mount and dismount
- For installing modules with control knob pointing downwards

The distance piece D or 2D included in the scope of delivery ensures the mounting spacing is maintained.



### Operating and environmental conditions

Temperature of medium [°C]	-10 ... +60
Corrosion resistance class CRC <sup>1)</sup>	2

1) Corrosion resistance class CRC 2 to Festo standard FN 940070

Moderate corrosion stress. Indoor applications in which condensation can occur. External visible parts with primarily decorative surface requirements which are in direct contact with a normal industrial environment.

### Materials

Bracket	Die-cast aluminium
Module connector	Die-cast aluminium
Screws	Steel
Seals	NBR
Note on materials:	RoHS-compliant
	Free of copper and PTFE

## ★ Core Range

### Dimensions and ordering data

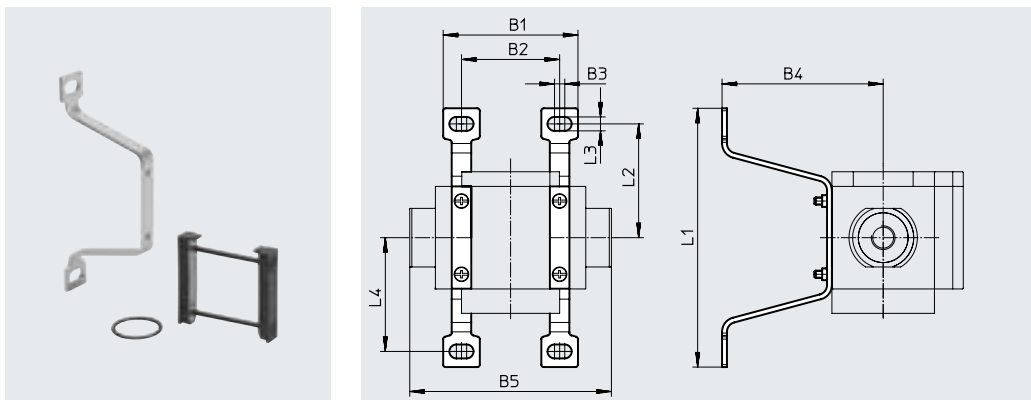
Size	B1	B2	B3	B4	B5	L1	L2	L3	L4	Mounting spacing	Weight [g]	Part no.	Type
MS6	99	69	17.5	54.1	129	98.6	41.3	6.6	41.3	69	144	★ 526073	MS6-WPM-D
	168	138			198					138	154	532186	MS6-WPM-2D

## Mounting components MS4, MS6

### Mounting bracket MS4/6-WPE

- Inexpensive alternative to mounting bracket MS4/6-WP/-WPB

Note on materials:  
RoHS-compliant



### Dimensions and ordering data

	B1	B2	B3	B4	B5	L1	L2	L3	L4	CRC <sup>1)</sup>	Weight [g]	Part no.	Type
<b>Size 4</b>													
For MS series	55.2	40.2	4.2	66	83.4	106	46.6	5.7	46.6	2	42	558869	MS4-WPE
For MS series, Basic version	55.2	40.2	5	44.4	83.3	106	46.6	5.7	46.6	2	30	8118600	MS4-WPE-B
<b>Size 6</b>													
For MS series	79	62	4.3	90.5	115	158	71	6.5	71	2	78	1025936	MS6-WPE
For MS series, Basic version	79	62	4.3	53.9	114.9	158	71	6.5	71	2	58	8118599	MS6-WPE-B

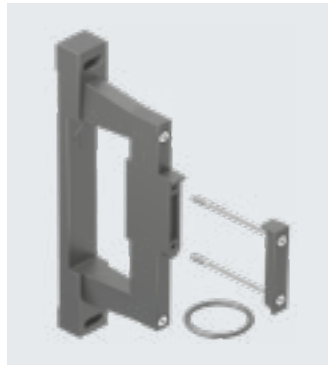
1) Corrosion resistance class CRC 2 to Festo standard FN 940070

Moderate corrosion stress. Indoor applications in which condensation can occur. External visible parts with primarily decorative surface requirements which are in direct contact with a normal industrial environment.

## Mounting components MS4, MS6

### Wall mounting set MS6-WPG

- For connecting the modules for wall mounting
- Same wall gap for combinations of series MS6 and MSE6



### Operating and environmental conditions

Temperature of medium [°C]	-10 ... +60
Corrosion resistance class CRC <sup>1)</sup>	2

1) Corrosion resistance class CRC 2 to Festo standard FN 940070

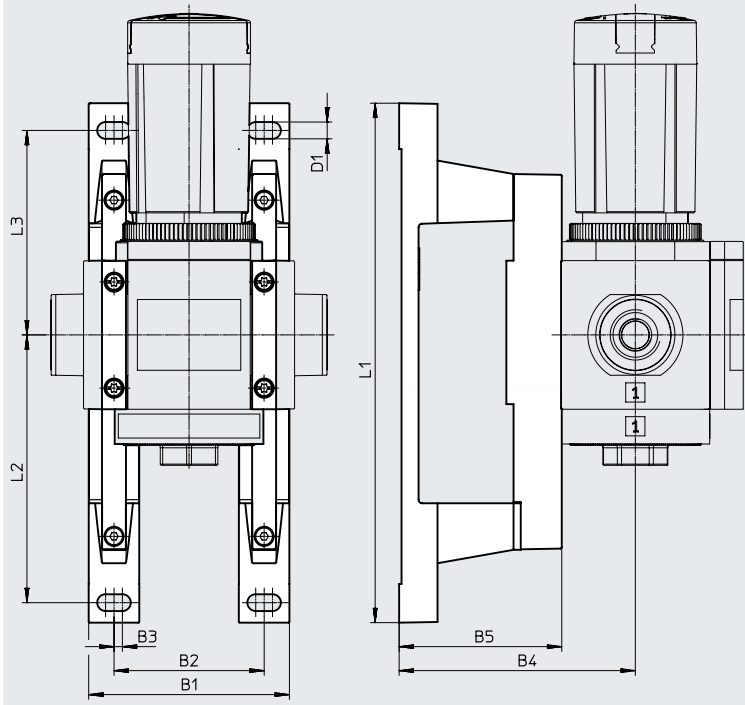
Moderate corrosion stress. Indoor applications in which condensation can occur. External visible parts with primarily decorative surface requirements which are in direct contact with a normal industrial environment.

### Materials

Bracket	Die-cast aluminium
Module connector	POM, steel
Screws	Steel
Seals	NBR
Note on materials	RoHS-compliant Free of copper and PTFE

### Dimensions

Download CAD data → [www.festo.com](http://www.festo.com)



### Dimensions and ordering data

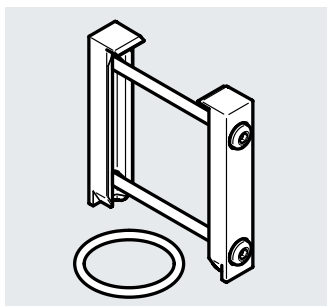
Size	B1	B2	B3	B4	B5	D1	L1	L2	L3	Weight [g]	Part no.	Type
MS6	84	62	3.5	99	68	7	217	111	86	245	8072794	MS6-WPG



## Mounting components MS4, MS6

### Module connector MS4/6-MV

- For connecting the modules



#### Operating and environmental conditions

Temperature of medium [°C]	-10 ... +60
Corrosion resistance class CRC <sup>1)</sup>	2

1) Corrosion resistance class CRC 2 to Festo standard FN 940070

Moderate corrosion stress. Indoor applications in which condensation can occur. External visible parts with primarily decorative surface requirements which are in direct contact with a normal industrial environment.

#### Materials

Module connector	POM, steel
Screws	Steel
Seals	NBR
Note on materials:	RoHS-compliant
	Free of copper and PTFE

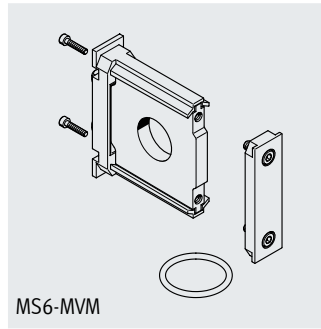
#### Ordering data

Size	Weight [g]	Part no.	Type
MS4	13	8119201	MS4-MV1
MS6	13	8119204	MS6-MV1
<b>For use in potentially explosive areas in zones 2 and 22</b>			
MS4	36	541553	MS4-MV-EX
MS6	54	541543	MS6-MV-EX

## Mounting components MS4, MS6

### Module connector MS4/6-MVM

- For installing modules with control knob pointing downwards



### Operating and environmental conditions

Temperature of medium [°C]	-10 ... +60
Corrosion resistance class CRC <sup>1)</sup>	2

1) Corrosion resistance class CRC 2 to Festo standard FN 940070

Moderate corrosion stress. Indoor applications in which condensation can occur. External visible parts with primarily decorative surface requirements which are in direct contact with a normal industrial environment.

### Materials

Size	MS4	MS6
Module connector	POM, steel	Die-cast aluminium
Plate	Die-cast aluminium	
Screws	Steel	
Seals	NBR	
Note on materials:	RoHS-compliant	
	Free of copper and PTFE	

### ★ Core Range

#### Ordering data

Size	Weight [g]	Part no.	Type
MS4	19	★ 532800	MS4-MVM
MS6	89	★ 532801	MS6-MVM

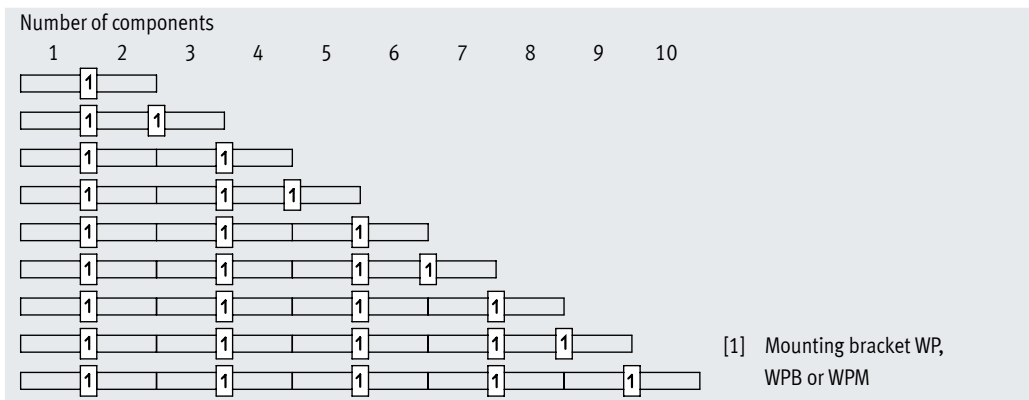
## Mounting components MS9

### Mounting bracket MS9-WP..

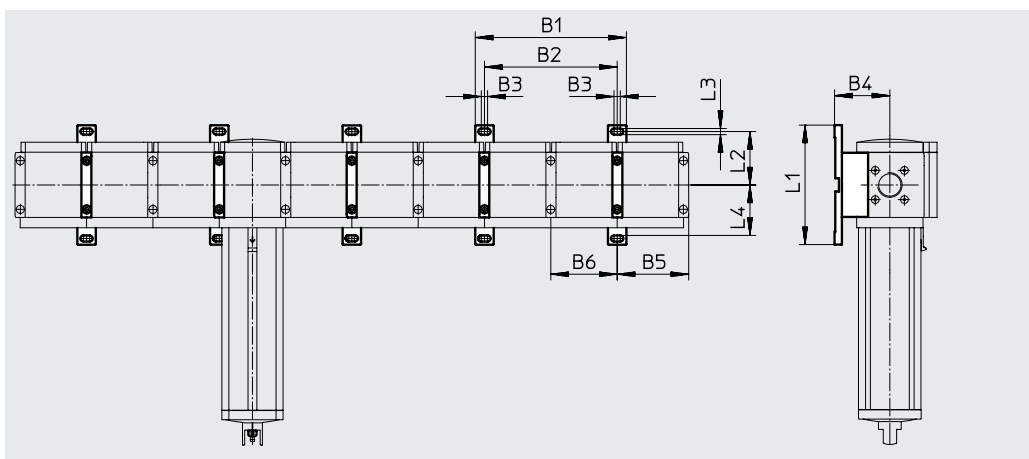
Spacing for mounting service unit combinations

1 service unit component: 90 mm

2 service unit components: 180 mm



### Mounting dimensions



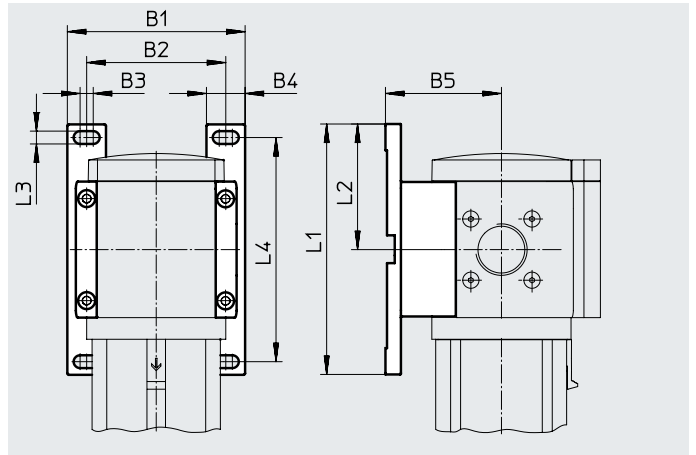
Type	B1	B2	B3	B4	B5	B6	L1	L2	L3	L4
MS9-WP	205	180	8.5	75	97	90	162	72.75	8.3	72.25
MS9-WPB				99						
MS9-WPM				90.5						

## Mounting components MS9

### Mounting bracket MS9-WP

(order code: WP)

- For connecting the modules for wall mounting
- In combination with connecting plate MS9-AG... for wall mounting an individual component



### Operating and environmental conditions

Temperature of medium	[°C]	-10 ... +60
Corrosion resistance class CRC <sup>1)</sup>		2

1) Corrosion resistance class CRC 2 to Festo standard FN 940070

Moderate corrosion stress. Indoor applications in which condensation can occur. External visible parts with primarily decorative surface requirements which are in direct contact with a normal industrial environment.

### Materials

Bracket	Die-cast aluminium
Module connector	Die-cast aluminium
Hollow bolt	Die-cast aluminium
Screws	Steel
Seals	NBR
Note on materials:	RoHS-compliant
	Free of copper and PTFE

### Dimensions and ordering data

Size	B1	B2	B3	B4	B5	L1	L2	L3	L4	Weight [g]	Part no.	Type
MS9	115	90	8.5	25	75	162	81.25	8.3	145	180	552947	MS9-WP

### - Note

The screws for the wall bracket are partially covered on the rear by the housing of the on/off valves MS9-EM or MS9-EE.

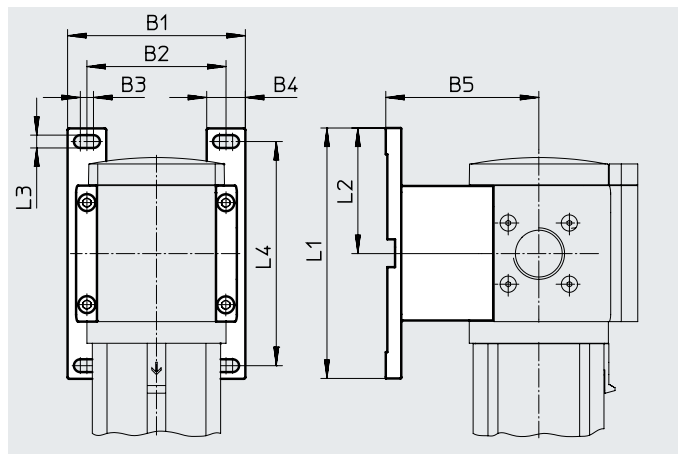
Depending on the configuration of a service unit combination, the screws will no longer be accessible. The mounting bracket MS9-WPM is therefore recommended for wall mounting.

## Mounting components MS9

### Mounting bracket MS9-WPB

(order code: WPB)

- For connecting the modules for wall mounting
- In combination with connecting plate MS9-AG... for wall mounting an individual component
- Same wall gap for combination with MS12 series using the mounting bracket MS12-WP



### Operating and environmental conditions

Temperature of medium	[°C]	-10 ... +60
Corrosion resistance class CRC <sup>1)</sup>		2

1) Corrosion resistance class CRC 2 to Festo standard FN 940070

Moderate corrosion stress. Indoor applications in which condensation can occur. External visible parts with primarily decorative surface requirements which are in direct contact with a normal industrial environment.

### Materials

Bracket	Die-cast aluminium
Module connector	Die-cast aluminium
Hollow bolt	Die-cast aluminium
Screws	Steel
Seals	NBR
Note on materials:	RoHS-compliant
	Free of copper and PTFE

### Dimensions and ordering data

Size	B1	B2	B3	B4	B5	L1	L2	L3	L4	Weight [g]	Part no.	Type
MS9	115	90	8.5	25	99	162	81.25	8.3	145	210	552949	MS9-WPB

**Note**

The screws for the wall bracket are partially covered on the rear by the housing of the on/off valves MS9-EM or MS9-EE.

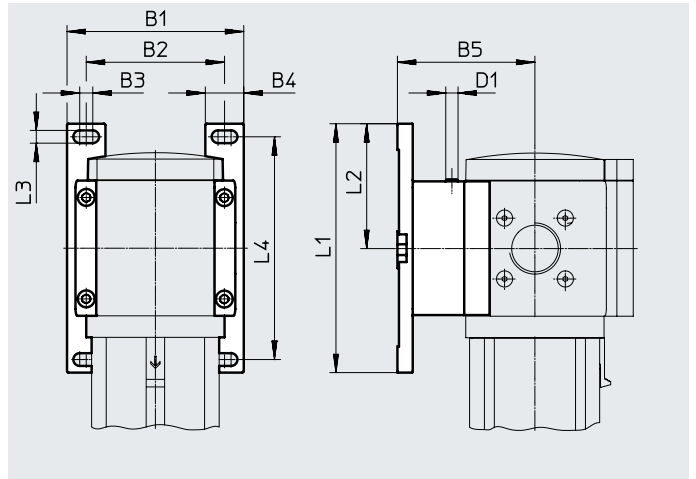
Depending on the configuration of a service unit combination, the screws will no longer be accessible. The mounting bracket MS9-WPM is therefore recommended for wall mounting.

## Mounting components MS9

### Mounting bracket MS9-WPM

(order code: WPM)

- For connecting the modules for wall mounting
- In combination with connecting plate MS9-AG... for wall mounting an individual component
- Quick to mount and dismount
- Same wall gap for combination with MS6 series using the mounting bracket MS6-WPB



The distance pieces included in the scope of delivery ensure the mounting spacing is maintained.

#### Operating and environmental conditions

Temperature of medium [°C]	-10 ... +60
Corrosion resistance class CRC <sup>1)</sup>	2

1) Corrosion resistance class CRC 2 to Festo standard FN 940070

Moderate corrosion stress. Indoor applications in which condensation can occur. External visible parts with primarily decorative surface requirements which are in direct contact with a normal industrial environment.

#### Materials

Bracket	Die-cast aluminium
Module connector	Die-cast aluminium
Hollow bolt	Die-cast aluminium
Screws	Steel
Seals	NBR
Note on materials:	RoHS-compliant
	Free of copper and PTFE

#### Dimensions and ordering data

Size	B1	B2	B3	B4	B5	D1	L1	L2	L3	L4	Weight [g]	Part no.	Type
MS9	115	90	8.5	25	90.5	M8	162	81.3	8.3	145	220	552948	MS9-WPM

## Mounting components MS9

### Module connector MS9-MV

- For connecting the modules



#### Operating and environmental conditions

Temperature of medium [°C]	-10 ... +60
Corrosion resistance class CRC <sup>1)</sup>	2

1) Corrosion resistance class CRC 2 to Festo standard FN 940070

Moderate corrosion stress. Indoor applications in which condensation can occur. External visible parts with primarily decorative surface requirements which are in direct contact with a normal industrial environment.

#### Materials

Module connector	Die-cast aluminium
Hollow bolt	Die-cast aluminium
Screws	Steel
Seals	NBR
Note on materials:	RoHS-compliant
	Free of copper and PTFE

#### Ordering data

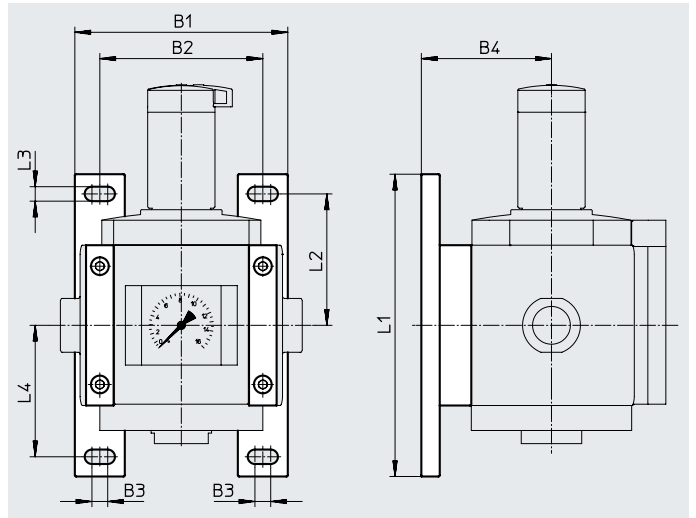
Size	Weight [g]	Part no.	Type
MS9	110	552950	MS9-MV

## Mounting components MS12

### Mounting bracket MS12-WP

(order code: WP)

- For connecting the modules for wall mounting
- In combination with connecting plate for wall mounting an individual component



### Operating and environmental conditions

Temperature of medium	[°C]	-10 ... +60
Storage temperature	[°C]	-10 ... +60
Corrosion resistance class CRC <sup>1)</sup>		2

1) Corrosion resistance class CRC 2 to Festo standard FN 940070

Moderate corrosion stress. Indoor applications in which condensation can occur. External visible parts with primarily decorative surface requirements which are in direct contact with a normal industrial environment.

### Materials

Bracket	Die-cast aluminium
Plate	Die-cast aluminium
Screws	Steel
Seals	NBR
Note on materials:	RoHS-compliant
	Free of copper and PTFE

### Dimensions and ordering data

Size	B1	B2	B3	B4	L1	L2	L3	L4	Weight [g]	Part no.	Type
MS12	162	124	12	99	230	100	11	100	700	537133	MS12-WP



## Mounting components MS12

### Module connector MS12-MV

- For connecting the modules



#### Operating and environmental conditions

Temperature of medium	[°C]	-10 ... +60
Storage temperature	[°C]	-10 ... +60
Corrosion resistance class CRC <sup>1)</sup>		2

1) Corrosion resistance class CRC 2 to Festo standard FN 940070

Moderate corrosion stress. Indoor applications in which condensation can occur. External visible parts with primarily decorative surface requirements which are in direct contact with a normal industrial environment.

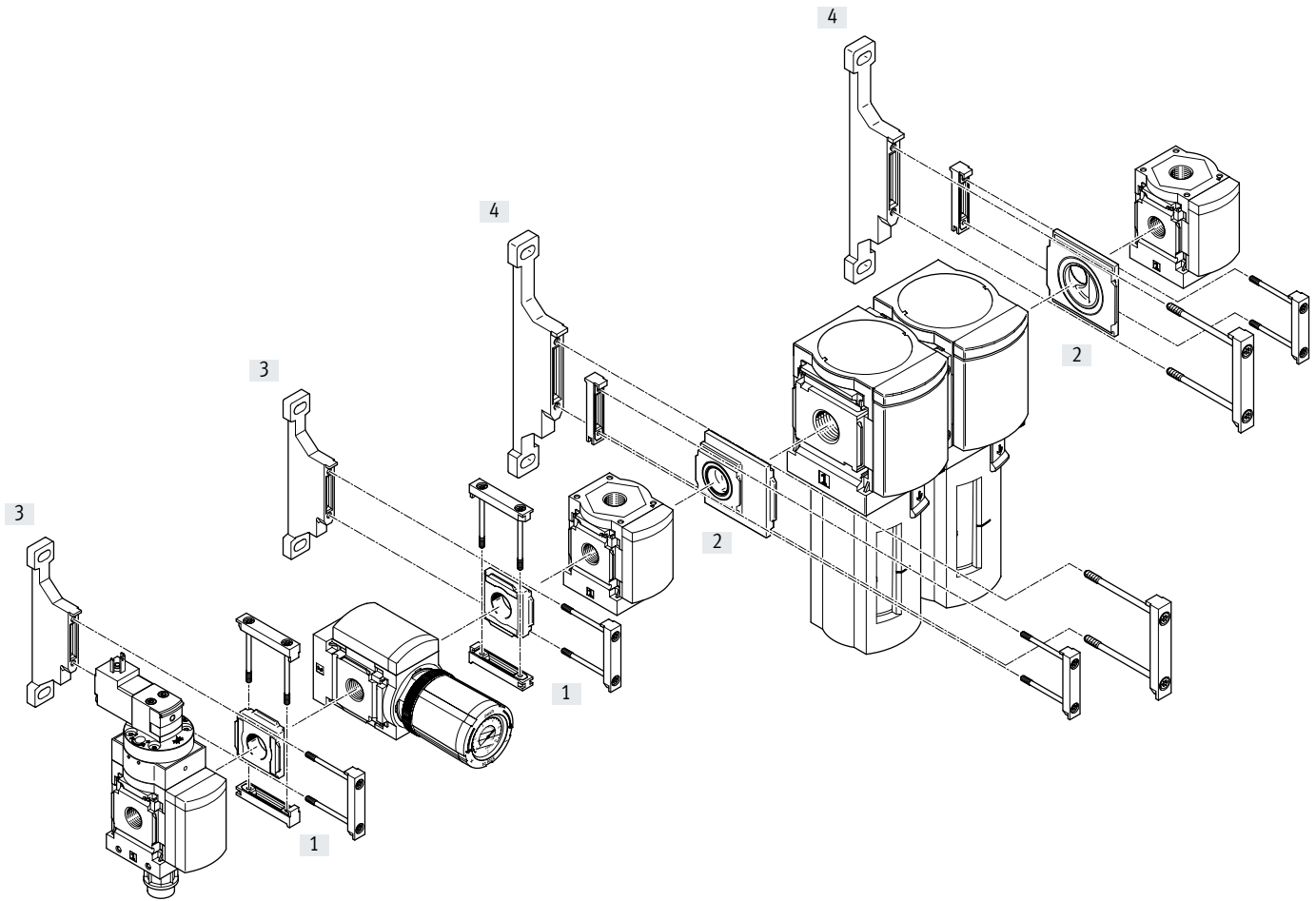
#### Materials

Plate	Die-cast aluminium
Screws	Steel
Seals	NBR
Note on materials:	RoHS-compliant
	Free of copper and PTFE

#### Ordering data

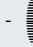
Size	Weight [g]	Part no.	Type
MS12	500	537134	MS12-MV

Mounting components MS4, MS6



Mounting components

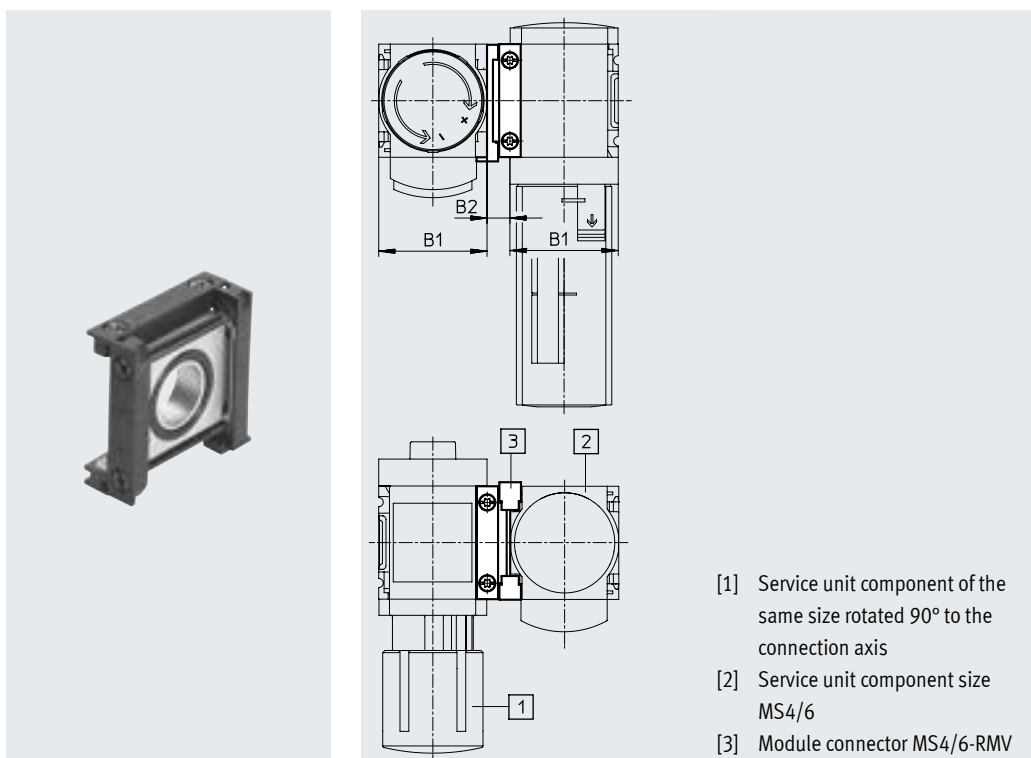
		→ Page/Internet
[1]	Module connector MS4/6-RMV	27
[2]	Module connector MS4-6-AMV	28
[3]	Mounting bracket MS4-WP	11
[4]	Mounting bracket MS6-WP	11

 **Note**  
 Mounting components for wall  
 mounting → page 10

## Mounting components MS4, MS6

### Module connector MS4/6-RMV

- For connecting service unit components rotated 90° to the connection axis



- [1] Service unit component of the same size rotated 90° to the connection axis
- [2] Service unit component size MS4/6
- [3] Module connector MS4/6-RMV

### Operating and environmental conditions

Temperature of medium [°C]	-10 ... +60
Corrosion resistance class CRC <sup>1)</sup>	2

1) Corrosion resistance class CRC 2 to Festo standard FN 940070

Moderate corrosion stress. Indoor applications in which condensation can occur. External visible parts with primarily decorative surface requirements which are in direct contact with a normal industrial environment.

### Materials

Connecting plate	Die-cast aluminium
Module connector	Die-cast aluminium
Sealing ring	NBR
Note on materials:	RoHS-compliant

### Dimensions and ordering data

Size	B1	B2	Weight [g]	Part no.	Type
MS4	40.2	8.5	42	543490	MS4-RMV
MS6	62	11	112	543491	MS6-RMV


### For use in potentially explosive areas in zones 2 and 22

MS4	40.2	8.5	42	563393	MS4-RMV-EX
MS6	62	11	112	563394	MS6-RMV-EX

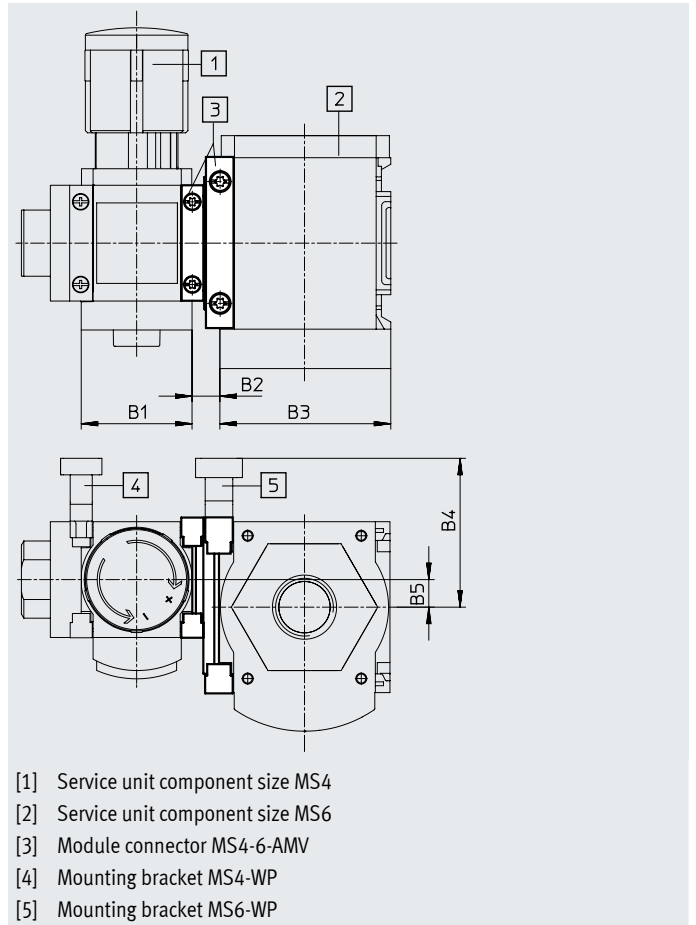
## Mounting components MS4, MS6

### Module connector MS4-6-AMV

- For connecting MS4 and MS6 components into one unit

 **Note**

The larger mounting bracket should always be used on the module connector. The mounting bracket must be ordered separately.



- [1] Service unit component size MS4
- [2] Service unit component size MS6
- [3] Module connector MS4-6-AMV
- [4] Mounting bracket MS4-WP
- [5] Mounting bracket MS6-WP

### Operating and environmental conditions

Temperature of medium [°C]	-10 ... +60
Corrosion resistance class CRC <sup>1)</sup>	2

1) Corrosion resistance class CRC 2 to Festo standard FN 940070

Moderate corrosion stress. Indoor applications in which condensation can occur. External visible parts with primarily decorative surface requirements which are in direct contact with a normal industrial environment.

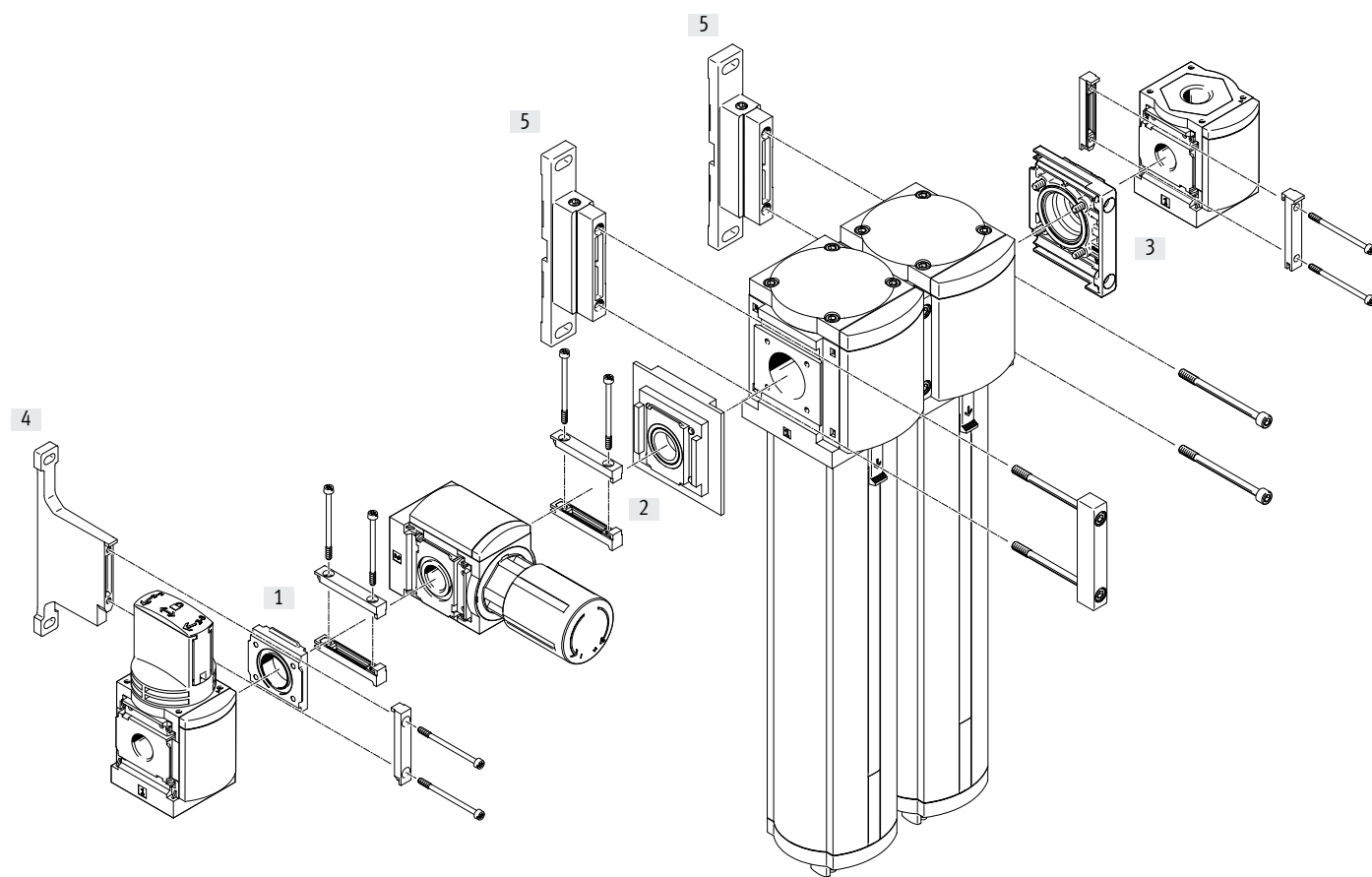
### Materials

Connecting plate	Die-cast aluminium
Module connector	Die-cast aluminium
Sealing ring	NBR
Note on materials:	RoHS-compliant

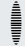
### Dimensions and ordering data

Size	B1	B2	B3	B4	B5	Weight [g]	Part no.	Type
MS4/6	40.2	10	62	54.1	10	77	543489	MS4-6-AMV
<b>For use in potentially explosive areas in zones 2 and 22</b>								
MS4/6	40.2	10	62	54.1	10	77	563392	MS4-6-AMV-EX

## Mounting components MS6/MS9




Mounting components		→ Page/Internet
[1]	Module connector MS6-RMV	27
[2]	Module connector MS6-9-ARMV	31
[3]	Module connector MS6-9-AMV	30
[4]	Mounting bracket MS6-WPB	12
[5]	Mounting bracket MS9-WPM	22

-  - **Note**  
 Same wall gap when using mounting brackets MS6-WPB and MS9-WPM within an MS6/9 combination.

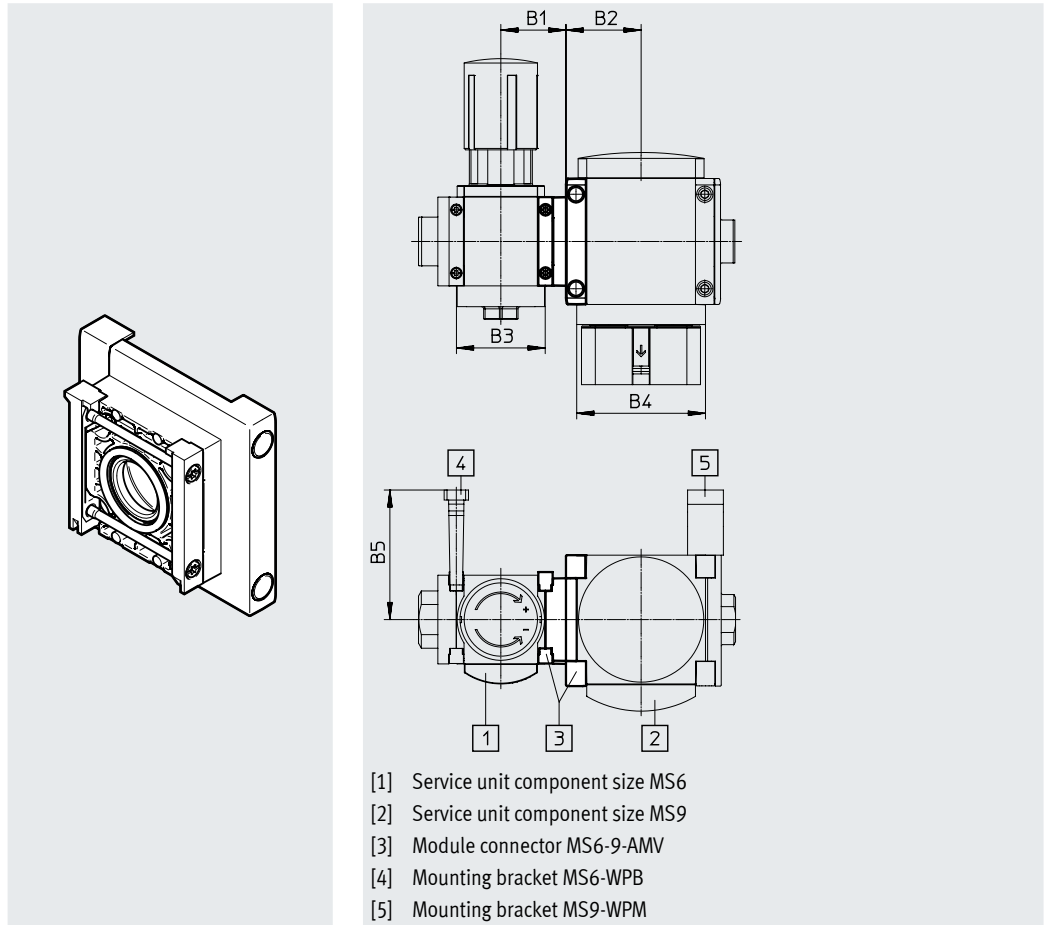
## Module connector MS6/MS9

### Module connector MS6-9-AMV

- For connecting MS6 and MS9 components into one unit
- Mounting with mounting bracket possible

 **Note**

The larger mounting bracket should always be used on the module connector. The mounting bracket must be ordered separately.



- [1] Service unit component size MS6
- [2] Service unit component size MS9
- [3] Module connector MS6-9-AMV
- [4] Mounting bracket MS6-WPB
- [5] Mounting bracket MS9-WPM

### Operating and environmental conditions

Temperature of medium [°C]	-10 ... +60
Corrosion resistance class CRC <sup>1)</sup>	2

1) Corrosion resistance class CRC 2 to Festo standard FN 940070

Moderate corrosion stress. Indoor applications in which condensation can occur. External visible parts with primarily decorative surface requirements which are in direct contact with a normal industrial environment.

### Materials

Connecting plate	Die-cast aluminium
Module connector	Die-cast aluminium
Screws	Steel
Seals	NBR
Note on materials:	RoHS-compliant
	Free of copper and PTFE


### Dimensions and ordering data

Size	B1	B2	B3	B4	B5	Weight [g]	Part no.	Type
MS6/9	45.5	52.5	62	90	90.5	220	3426895	MS6-9-AMV
<b>For use in potentially explosive areas in zones 1, 2, 21 and 22</b>								
MS6/9	45.5	52.5	62	90	90.5	220	3433264	MS6-9-AMV-EX

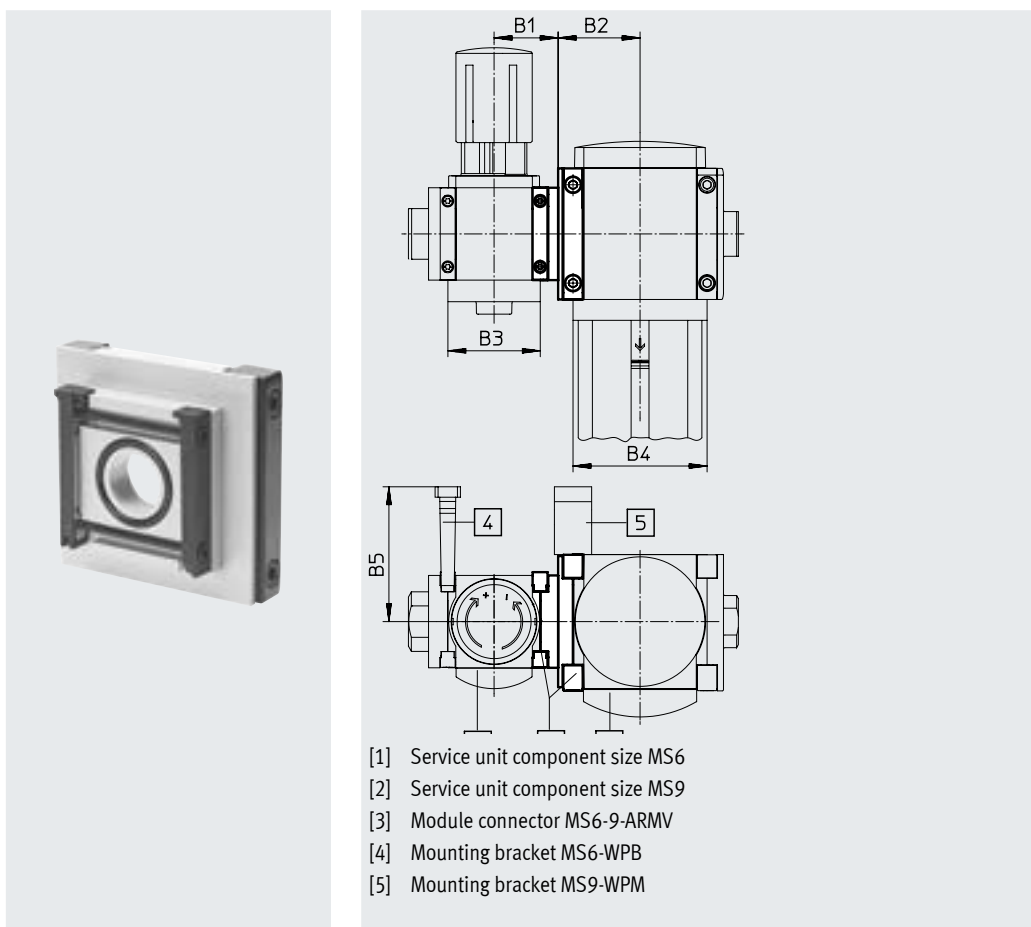
## Module connector MS6/MS9

### Module connector MS6-9-ARMV

- For connecting MS6 and MS9 components into one unit
- Rotating a service unit component 90° to the connection axis possible

 **Note**

The larger mounting bracket should always be used on the module connector. The mounting bracket must be ordered separately.



### Operating and environmental conditions

Temperature of medium [°C]	-10 ... +60
Corrosion resistance class CRC <sup>1)</sup>	2

1) Corrosion resistance class CRC 2 to Festo standard FN 940070

Moderate corrosion stress. Indoor applications in which condensation can occur. External visible parts with primarily decorative surface requirements which are in direct contact with a normal industrial environment.

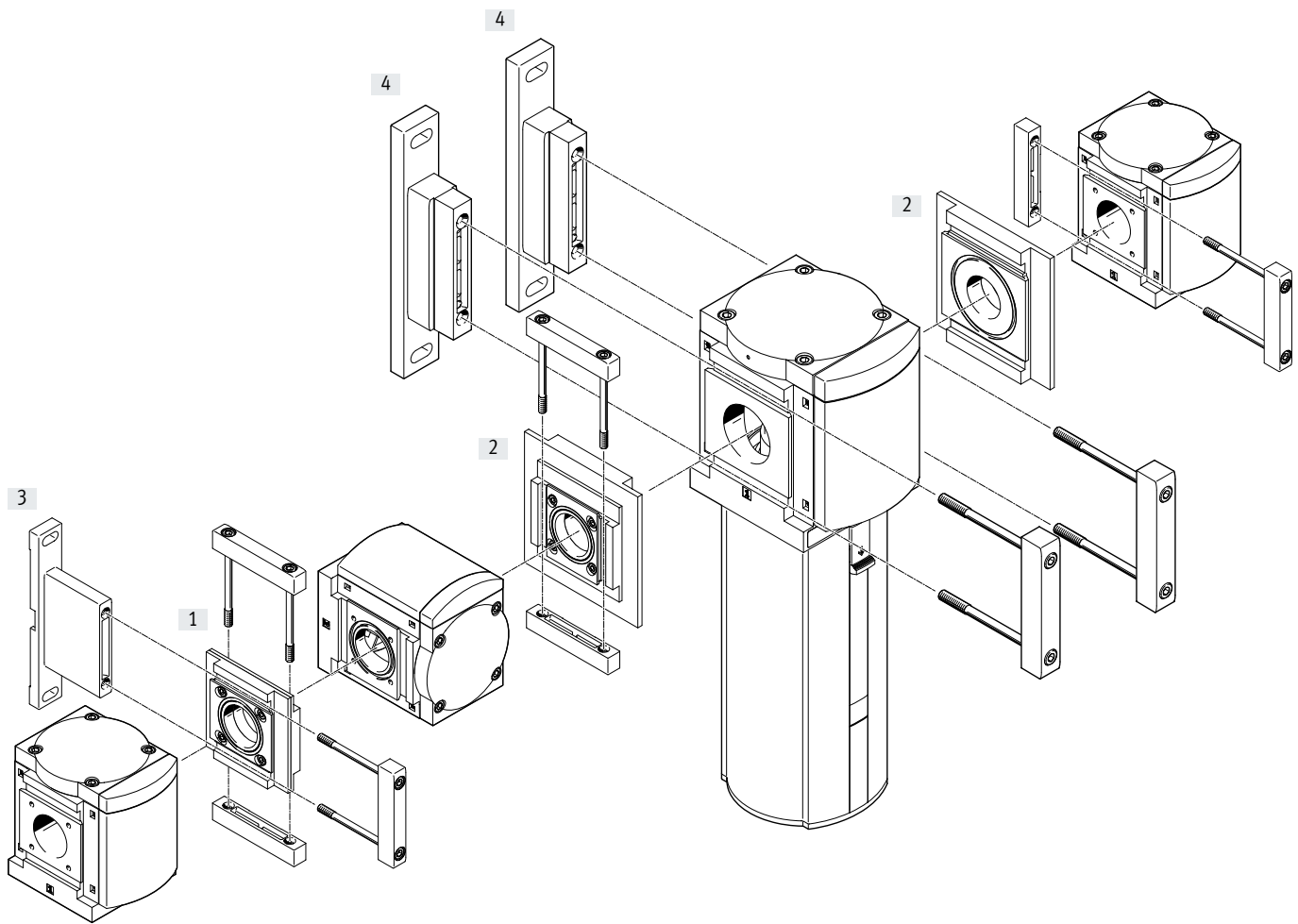
### Materials

Connecting plate	Die-cast aluminium
Module connector	Die-cast aluminium
Screws	Steel
Seals	NBR
Note on materials:	RoHS-compliant
	Free of copper and PTFE

### Dimensions and ordering data

Size	B1	B2	B3	B4	B5	Weight [g]	Part no.	Type
MS6/9	43	55	62	90	90.5	350	552951	MS6-9-ARMV
<b>For use in potentially explosive areas in zones 1, 2, 21 and 22</b>								
MS6/9	43	55	62	90	90.5	350	1758175	MS6-9-ARMV-EX

## Mounting components MS9/MS12



### Mounting components

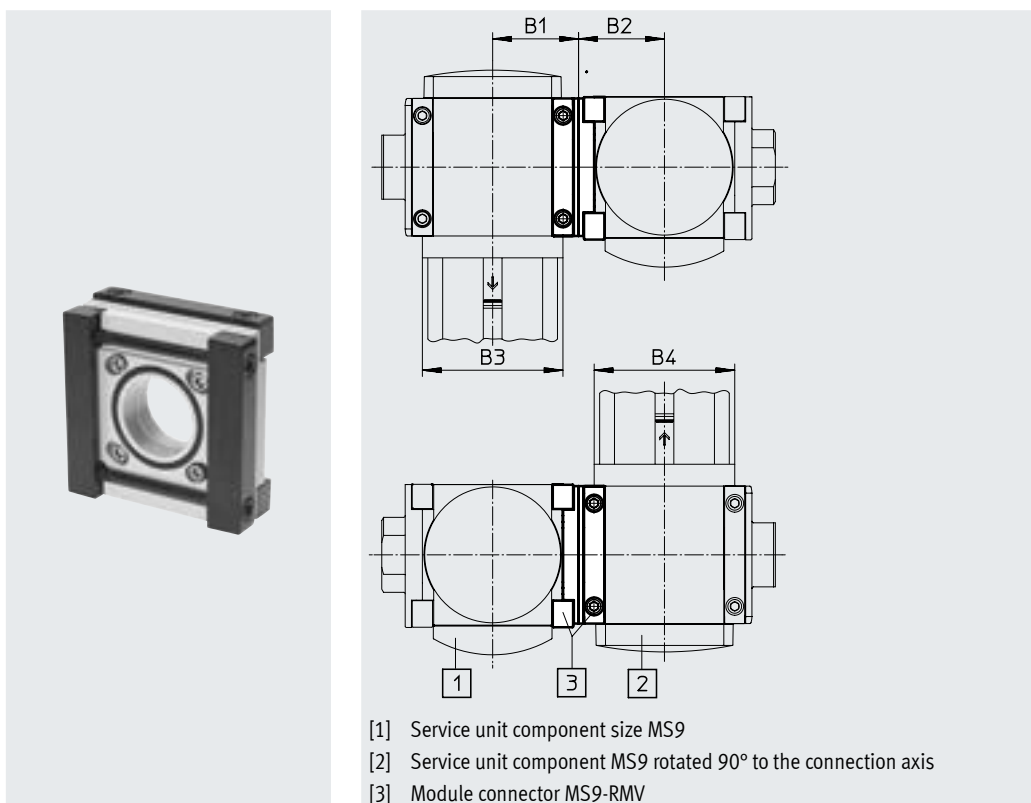
		→ Page/Internet
[1]	Module connector MS9-RMV	33
[2]	Module connector MS9-12-ARMV	34
[3]	Mounting bracket MS9-WPB	21
[4]	Mounting bracket MS12-WP	24



## Mounting components MS9/MS12

### Module connector MS9-RMV

- For connecting service unit components rotated 90° to the connection axis



Operating and environmental conditions		
Temperature of medium [°C]		-10 ... +60
Corrosion resistance class CRC <sup>1)</sup>		2

1) Corrosion resistance class CRC 2 to Festo standard FN 940070  
 Moderate corrosion stress. Indoor applications in which condensation can occur. External visible parts with primarily decorative surface requirements which are in direct contact with a normal industrial environment.


Materials	
Connecting plate	Die-cast aluminium
Module connector	Die-cast aluminium
Screws	Steel
Seals	NBR
Note on materials:	RoHS-compliant
	Free of copper and PTFE

Dimensions and ordering data							
Size	B1	B2	B3	B4	Weight [g]	Part no.	Type
MS9	55	55	90	90	920	552952	MS9-RMV

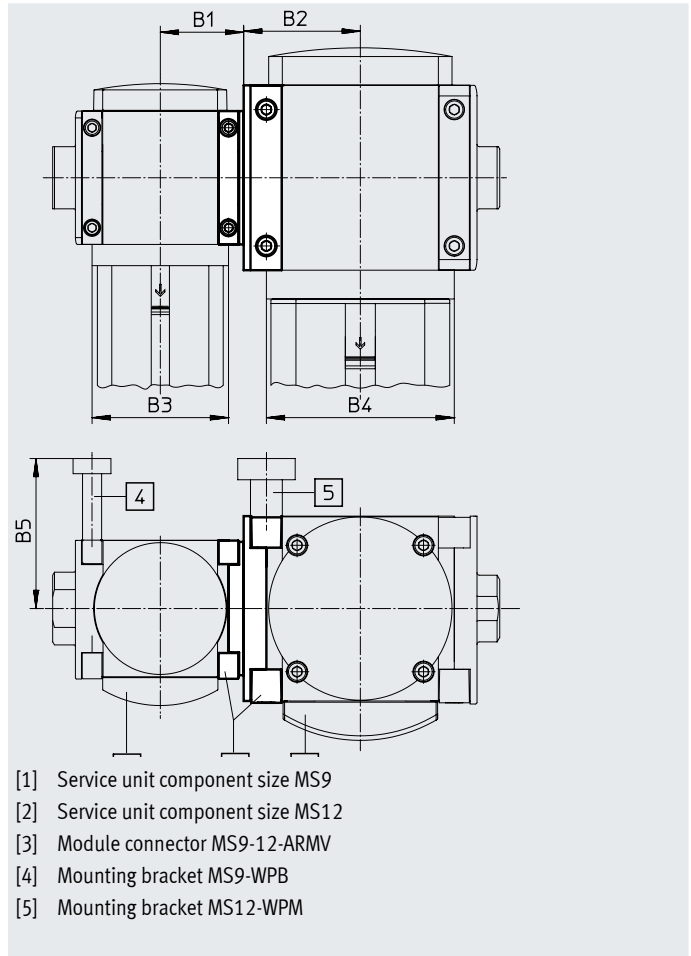
## Mounting components MS9/MS12

### Module connector MS9-12-ARMV

- For connecting MS9 and MS12 components into one unit
- Rotating a service unit component 90° to the connection axis possible

 **Note**

The larger mounting bracket should always be used on the module connector. The mounting bracket must be ordered separately.



### Operating and environmental conditions

Temperature of medium	[°C]	-10 ... +60
Corrosion resistance class CRC <sup>1)</sup>		2

1) Corrosion resistance class CRC 2 to Festo standard FN 940070

Moderate corrosion stress. Indoor applications in which condensation can occur. External visible parts with primarily decorative surface requirements which are in direct contact with a normal industrial environment.

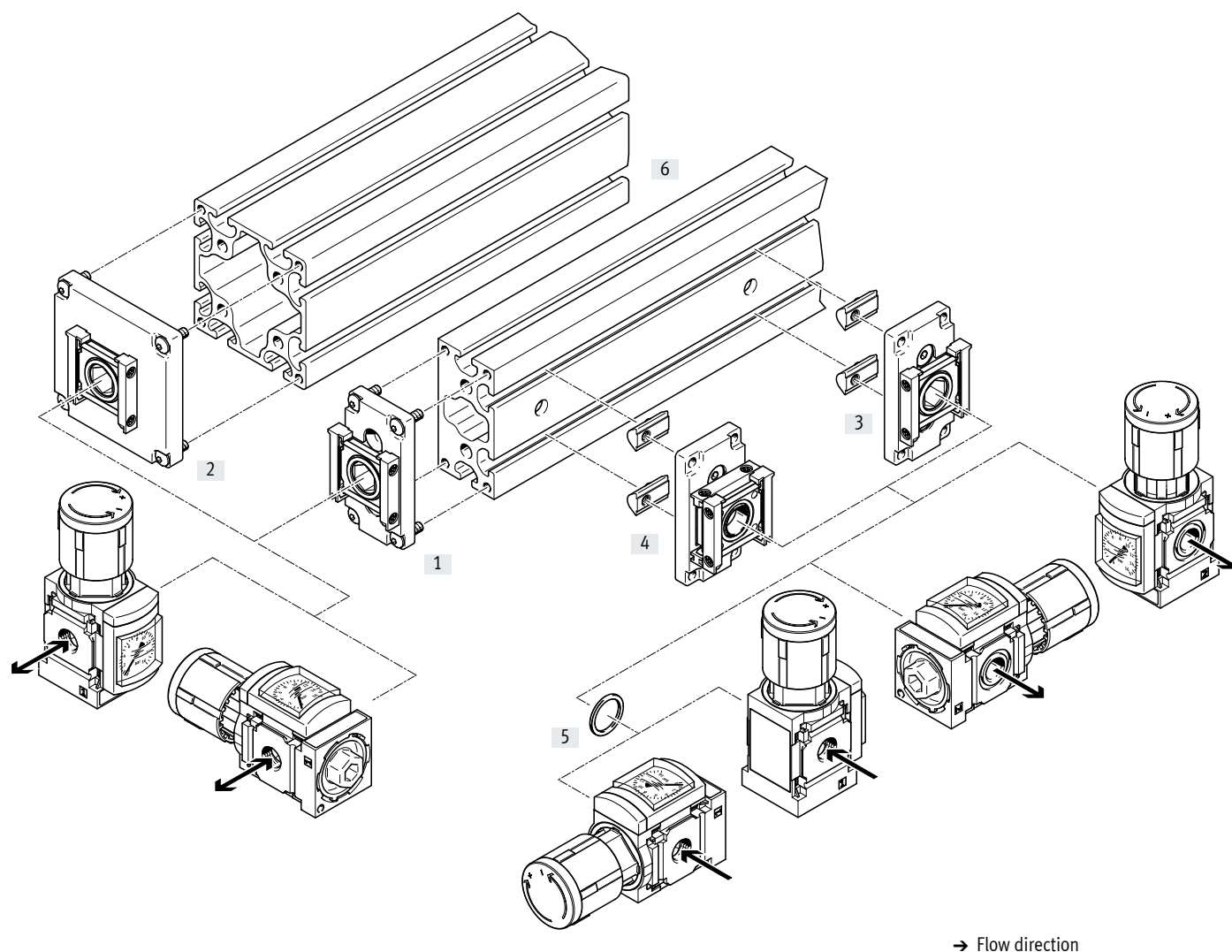
### Materials

Connecting plate	Die-cast aluminium
Module connector	Die-cast aluminium
Screws	Steel
Seals	NBR
Note on materials:	RoHS-compliant
	Free of copper and PTFE

### Dimensions and ordering data

Size	B1	B2	B3	B4	B5	Weight [g]	Part no.	Type
MS9/12	55	77	90	124	99	990	552953	MS9-12-ARMV

## Mounting components MS4, MS6



Mounting components		→ Page/Internet
[1]	Power supply module MS4/6-E-IPM-40-80	36
[2]	Power supply module MS4/6-E-IPM-80-80	37
[3]	Branching module MS4/6-A-IPM-80	38
[4]	Branching module MS4/6-A-RMV-IPM-80	39
[5]	Sealing ring MS4/6-NNR	40
[6]	Profile 40x80/80x80, closing plate, supply plate	On request

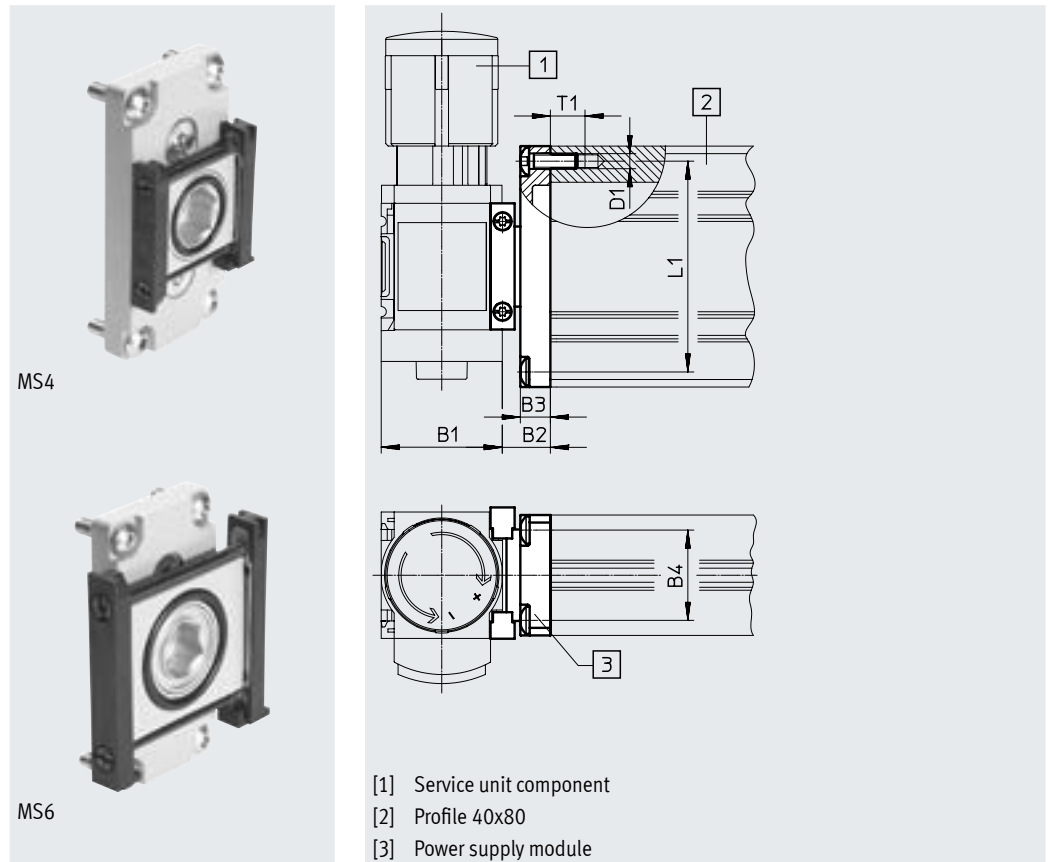
**Note**  
Additional mounting components are required for mounting a service unit combination → page 10

## Mounting components MS4, MS6

### Power supply module

#### MS4/6-E-IPM-40-80

- For mounting a service unit component on the end face of a profile of size 40x80
- Module connector can be rotated 90° for horizontal mounting of the service unit component



- [1] Service unit component  
 [2] Profile 40x80  
 [3] Power supply module

### Operating and environmental conditions

Temperature of medium [°C]	-10 ... +60
Corrosion resistance class CRC <sup>1)</sup>	2

1) Corrosion resistance class CRC 2 to Festo standard FN 940070

Moderate corrosion stress. Indoor applications in which condensation can occur. External visible parts with primarily decorative surface requirements which are in direct contact with a normal industrial environment.

### Materials

Connecting plate	Die-cast aluminium
Module connector	Die-cast aluminium
Hollow bolt	Die-cast aluminium
Screws	Steel
Seals	NBR
Note on materials:	RoHS-compliant

### Dimensions and ordering data

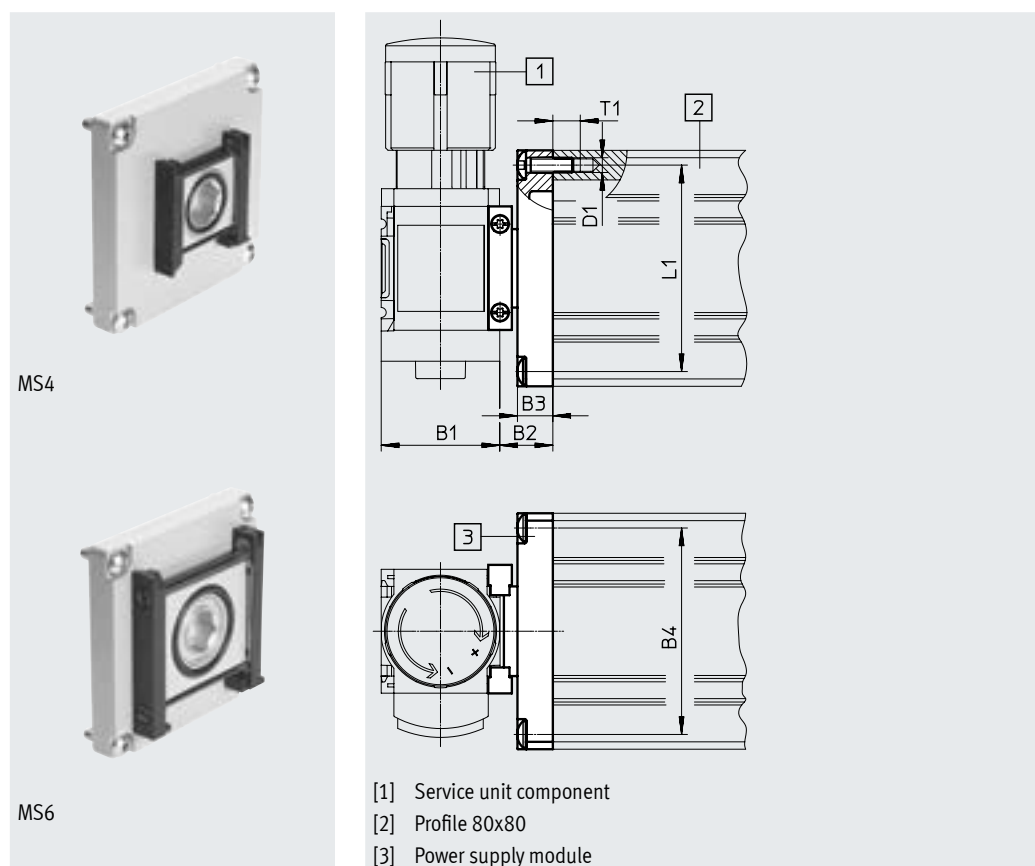
Size	B1	B2	B3	B4	D1	L1	T1	Weight [g]	Part no.	Type
MS4	40.2	16	10	30 ±0.2	M5	70 ±0.2	11.5	109	543494	MS4-E-IPM-40-80
MS6	62	16	10	30 ±0.2	M5	70 ±0.2	11.5	141	543496	MS6-E-IPM-40-80

## Mounting components MS4, MS6

### Power supply module

#### MS4/6-E-IPM-80-80

- For mounting a service unit component on the end face of a profile of size 80x80
- Module connector can be rotated 90° for horizontal mounting of the service unit component



### Operating and environmental conditions

Temperature of medium	[°C]	-10 ... +60
Corrosion resistance class CRC <sup>1)</sup>		2

1) Corrosion resistance class CRC 2 to Festo standard FN 940070

Moderate corrosion stress. Indoor applications in which condensation can occur. External visible parts with primarily decorative surface requirements which are in direct contact with a normal industrial environment.

### Materials

Connecting plate	Die-cast aluminium
Module connector	Die-cast aluminium
Hollow bolt	Die-cast aluminium
Screws	Steel
Seals	NBR
Note on materials:	RoHS-compliant

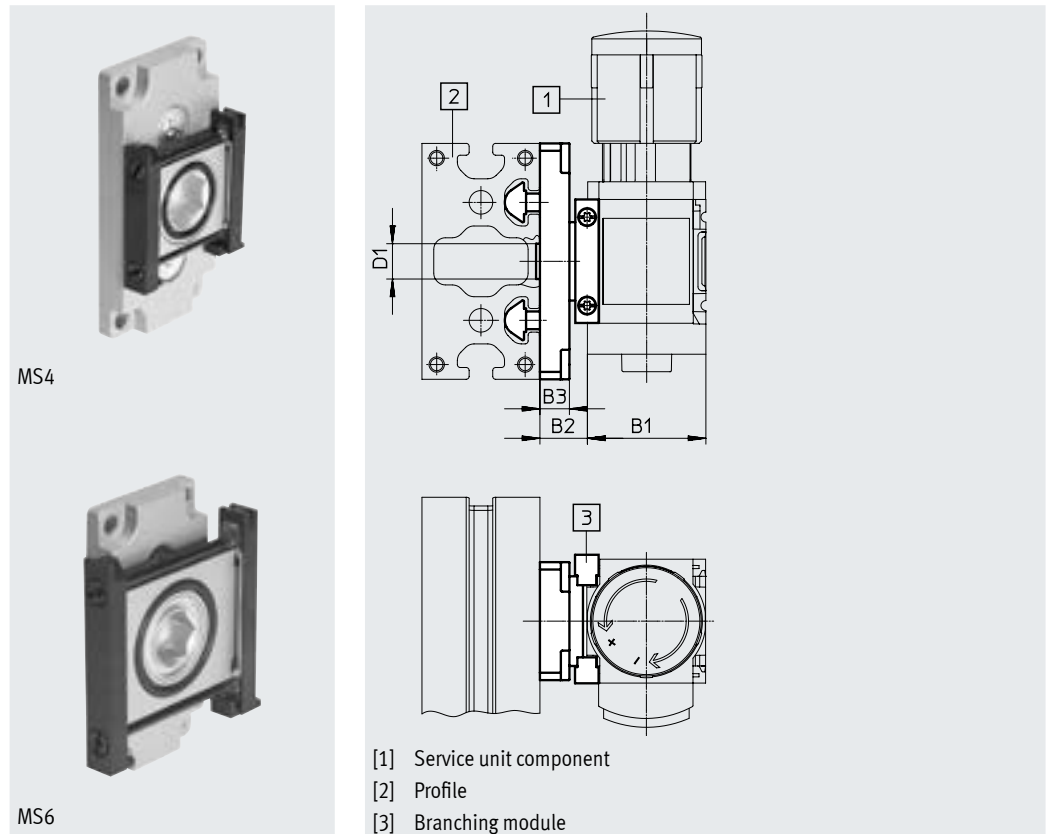
### Dimensions and ordering data

Size	B1	B2	B3	B4	D1	L1	T1	Weight [g]	Part no.	Type
MS4	40.2	18	12	70 ±0.2	M5	70 ±0.2	9.3	186	543495	MS4-E-IPM-80-80
MS6	62	18	12	70 ±0.2	M5	70 ±0.2	9.3	218	543497	MS6-E-IPM-80-80

## Mounting components MS4, MS6

### Branching module MS4/6-A-IPM-80

- For mounting a service unit component on the longitudinal side of a profile
- Module connector can be rotated 90° for horizontal mounting of the service unit component



- [1] Service unit component
- [2] Profile
- [3] Branching module

### Operating and environmental conditions

Temperature of medium [°C]	-10 ... +60
Corrosion resistance class CRC <sup>1)</sup>	2

1) Corrosion resistance class CRC 2 to Festo standard FN 940070

Moderate corrosion stress. Indoor applications in which condensation can occur. External visible parts with primarily decorative surface requirements which are in direct contact with a normal industrial environment.

### Materials

Connecting plate	Die-cast aluminium
Module connector	Die-cast aluminium
Hollow bolt	Die-cast aluminium
Screws	Steel
Seals	NBR
Note on materials:	RoHS-compliant

### Dimensions and ordering data

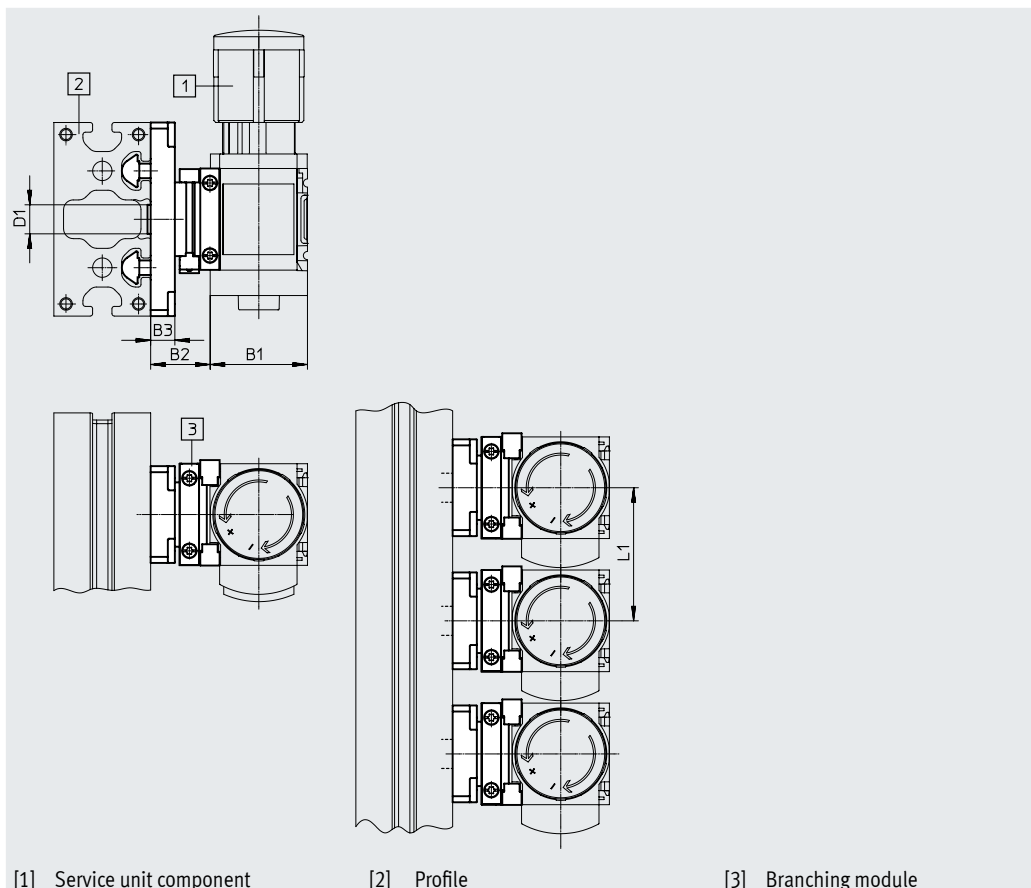
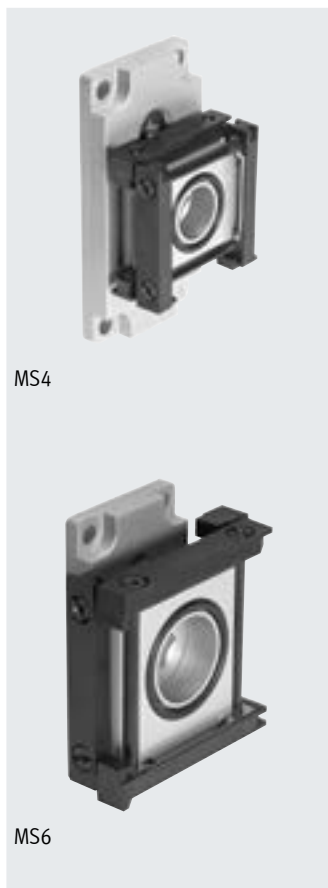
Size	B1	B2	B3	D1 ∅	Weight [g]	Part no.	Type
MS4	40.2	16	10	11.8 ±0.1	124	543498	MS4-A-IPM-80
MS6	62	16	10	11.8 ±0.1	156	543499	MS6-A-IPM-80

## Mounting components MS4, MS6

### Branching module

#### MS4/6-A-RMV-IPM-80

- For mounting a service unit component on the longitudinal side of a profile
- Suitable for block mounting (module connector fittings are accessible from above, allowing quick replacement of an individual component)
- Module connector can be rotated 90° for horizontal mounting of the service unit component



[1] Service unit component

[2] Profile

[3] Branching module

### Operating and environmental conditions

Temperature of medium [°C]	-10 ... +60
Corrosion resistance class CRC <sup>1)</sup>	2

1) Corrosion resistance class CRC 2 to Festo standard FN 940070

Moderate corrosion stress. Indoor applications in which condensation can occur. External visible parts with primarily decorative surface requirements which are in direct contact with a normal industrial environment.

### Materials

Connecting plate	Die-cast aluminium
Module connector	Die-cast aluminium
Hollow bolt	Die-cast aluminium
Screws	Steel
Seals	NBR
Note on materials:	RoHS-compliant

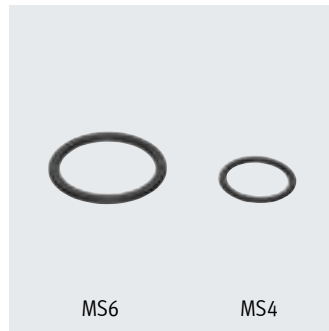
### Dimensions and ordering data

Size	B1	B2	B3	D1 ∅	L1 min.	Weight [g]	Part no.	Type
MS4	40.2	24.5	10	11.8 ±0.1	55	150	543500	MS4-A-RMV-IPM-80
MS6	62	27	10	11.8 ±0.1	77	236	543501	MS6-A-RMV-IPM-80

## Mounting components MS4, MS6

### Sealing ring MS4/6-NNR

- For sealing a branching module  
MS-A-IPM when used as a power supply module



### Operating and environmental conditions

Temperature of medium [°C]	-10 ... +60
Corrosion resistance class CRC <sup>1)</sup>	2

1) Corrosion resistance class CRC 2 to Festo standard FN 940070

Moderate corrosion stress. Indoor applications in which condensation can occur. External visible parts with primarily decorative surface requirements which are in direct contact with a normal industrial environment.

### Materials

Sealing ring	NBR
Note on materials:	RoHS-compliant

### Ordering data

Size	Part no.	Type
MS4	543492	MS4-NNR
MS6	543493	MS6-NNR

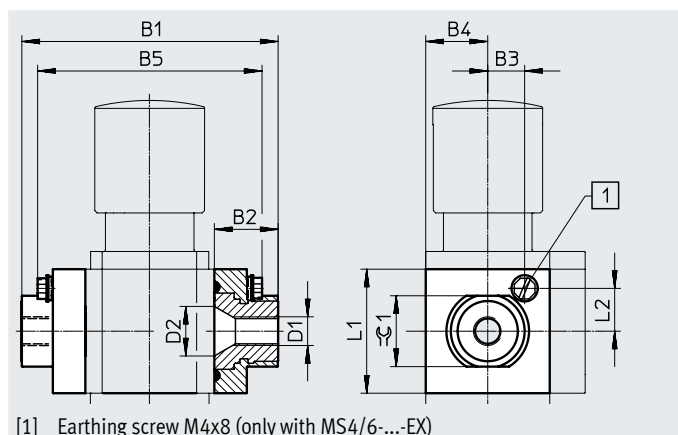


## Connecting plates MS4, MS6

### Connecting plate set MS4/6-AG...

(order code: AG...)

- Adapter for compressed air supply port
- MS6-AGE for implementing threaded connection G3/4



[1] Earthing screw M4x8 (only with MS4/6-...-EX)

#### Operating and environmental conditions

Temperature of medium [°C]	-10 ... +60
Corrosion resistance class CRC <sup>1)</sup>	2

1) Corrosion resistance class CRC 2 to Festo standard FN 940070

Moderate corrosion stress. Indoor applications in which condensation can occur. External visible parts with primarily decorative surface requirements which are in direct contact with a normal industrial environment.

#### Materials

Connecting plate	Die-cast aluminium
Seals	NBR
Note on materials:	RoHS-compliant
	Free of copper and PTFE

### ★ Core Range

#### Dimensions and ordering data

Size	B1	B2	B3	B4	B5	D1	D2	L1	L2	≈ $\varnothing$ 1	Weight [g]	Part no.	Type
MS4	83.4	21.5	-	21	-	G1/8	16.8	42	-	24	128	526068	MS4-AGA
						G1/4				21	128	★ 526069	MS4-AGB
						G3/8				24	128	★ 526070	MS4-AGC
MS6	115	26.5	-	31	-	G1/4	24	62	-	34	300	526080	MS6-AGB
						G3/8				34	300	526081	MS6-AGC
						G1/2				26	300	★ 526082	MS6-AGD
						G3/4				34	300	★ 526083	MS6-AGE

#### For use in potentially explosive areas in zones 2 and 22

MS4	83.5	21.5	12.5	21	72.5	G1/8	16.8	42	14.5	24	128	541549	MS4-AGA-EX
						G1/4				21	128	541550	MS4-AGB-EX
						G3/8				24	128	541551	MS4-AGC-EX
MS6	115	26.5	20.5	31	98.3	G1/4	24	62	15.5	34	300	541538	MS6-AGB-EX
						G3/8				34	300	541539	MS6-AGC-EX
						G1/2				26	300	541540	MS6-AGD-EX
						G3/4				34	300	541541	MS6-AGE-EX

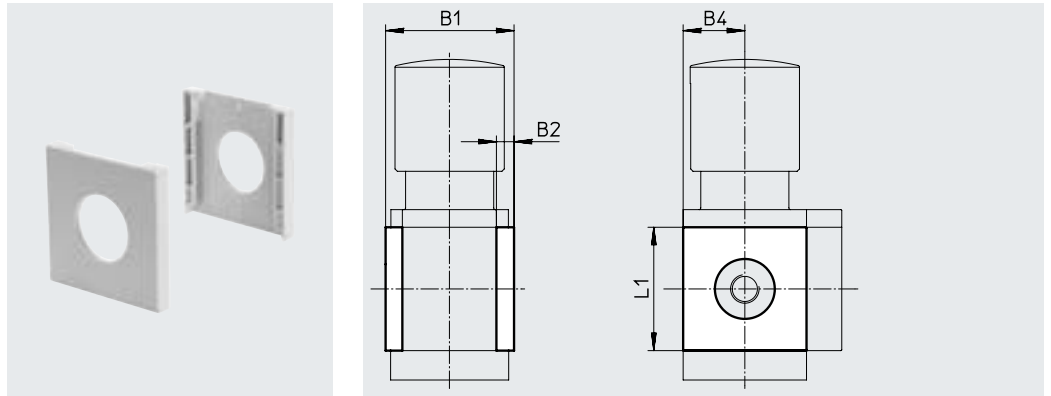
† Note: This product conforms to ISO 1179-1 and ISO 228-1.

## Connecting plates MS4, MS6

### Cover cap MS4/6-END

- Can be used to cover the sides of the housing for the first and last module if no connecting plates are used.

Material:  
Reinforced PA  
Free of copper and PTFE



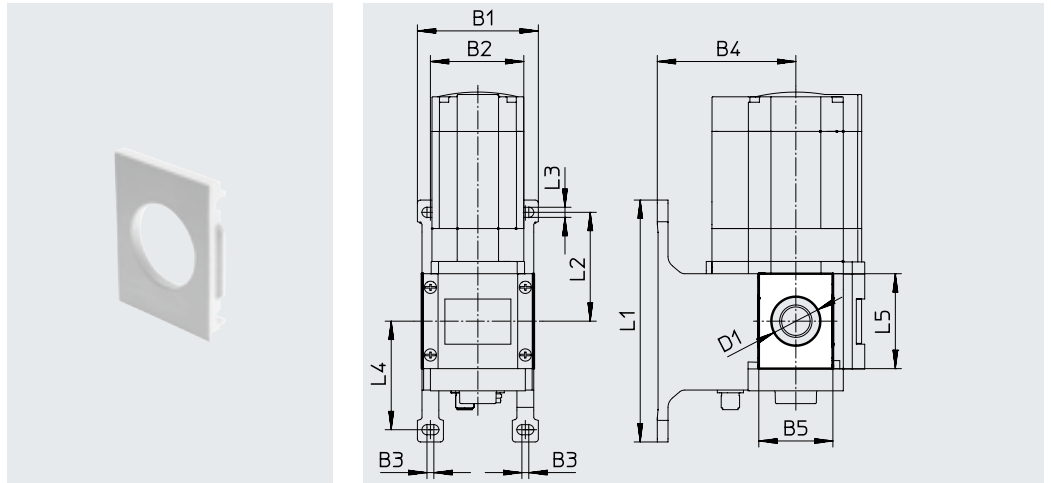
Dimensions and ordering data						
Size	B1	B2	B4	L1	Part no.	Type
MS4	43.6	6	21	42	538779	MS4-END
MS6	67	8	31	62	538780	MS6-END

### Mounting plate MS4/6-AEND

(order code: WBE; scope of delivery includes mounting bracket MS6-WPB)

- In combination with mounting bracket MS-WP or MS-WPB for wall mounting an individual component

Material:  
Reinforced PA  
RoHS-compliant  
Free of copper and PTFE



Dimensions and ordering data																
Size	B1	B2	B3	B4		B5	D1 ø	L1	L2	L3	L4	L5	CRC <sup>1)</sup>	Weight [g]	Part no.	Type
				WP	WPB											
MS4	55.2	40.2	4	44	66	30.4	20.3	106	46.5	5.6	46.7	42	2	4	542966	MS4-AEND
MS6	79	62	4.5	54	90.5	48.4	32	158	71	6.6	71	62	2	17	535408	MS6-AEND

1) Corrosion resistance class CRC 2 to Festo standard FN 940070

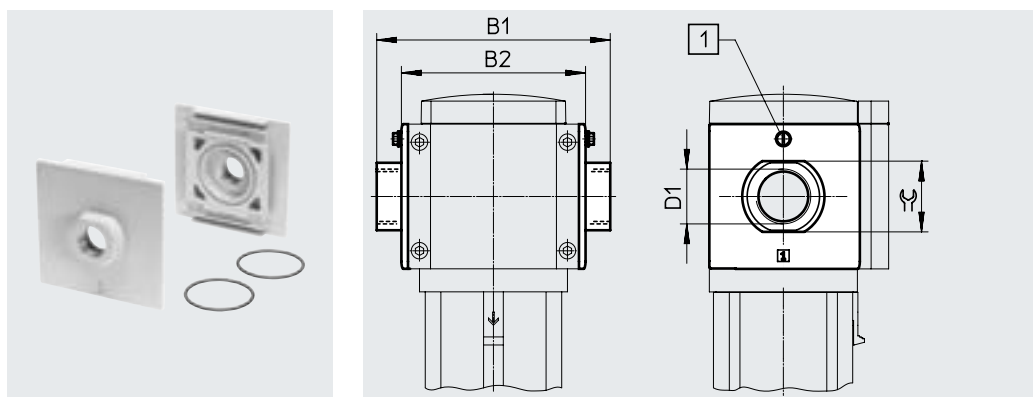
Moderate corrosion stress. Indoor applications in which condensation can occur. External visible parts with primarily decorative surface requirements which are in direct contact with a normal industrial environment.

## Connecting plates MS9

### Connecting plate set MS9-AG.../MS9-AQ...

(order code: AG.../AQ...)

- Adapter for compressed air supply port



### Operating and environmental conditions

Temperature of medium	[°C]	-10 ... +60
Corrosion resistance class CRC <sup>1)</sup>		2

1) Corrosion resistance class CRC 2 to Festo standard FN 940070

Moderate corrosion stress. Indoor applications in which condensation can occur. External visible parts with primarily decorative surface requirements which are in direct contact with a normal industrial environment.

### Materials

Connecting plate	Die-cast aluminium
Hollow bolt	Die-cast aluminium
Seals	NBR
Note on materials:	RoHS-compliant Free of copper and PTFE

### Dimensions and ordering data

Size	B1	B2	D1	⌀	Weight [g]	Part no.	Type
<b>G thread</b>							
MS9	132	112	G1/2	30	300	552954	MS9-AGD
	132	112	G3/4	36	300	552955	MS9-AGE
	142	112	G1	41	300	552956	MS9-AGF
	162	112	G1 1/4	50	400	552957	MS9-AGG
	176	112	G1 1/2	55	400	552958	MS9-AGH
<b>NPT thread</b>							
MS9	132	112	1/2 NPT	30	300	552959	MS9-AQR
	132	112	3/4 NPT	36	300	552960	MS9-AQS
	142	112	1 NPT	41	300	552961	MS9-AQT
	162	112	1 1/4 NPT	50	400	552962	MS9-AQU
	176	112	1 1/2 NPT	55	400	552963	MS9-AQV

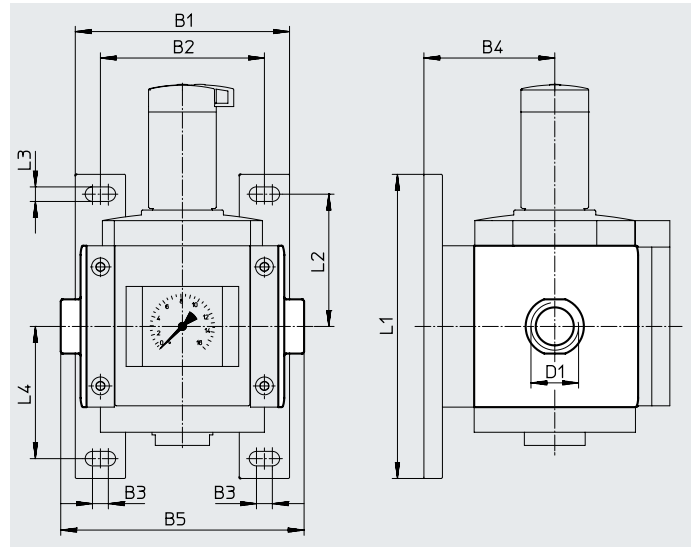
† Note: This product conforms to ISO 1179-1 and ISO 228-1.

## Connecting plates MS12

### Connecting plate set MS12-AG...

(order code: AG...)

- Adapter for compressed air supply port



#### Operating and environmental conditions

Operating medium	Compressed air to ISO 8573-1:2010 [7:4:4]
Temperature of medium [°C]	-10 ... +60
Storage temperature [°C]	-10 ... +60
Corrosion resistance class CRC <sup>1)</sup>	2

1) Corrosion resistance class CRC 2 to Festo standard FN 940070

Moderate corrosion stress. Indoor applications in which condensation can occur. External visible parts with primarily decorative surface requirements which are in direct contact with a normal industrial environment.

#### Materials

Connecting plate	Die-cast aluminium
Seals	NBR
Note on materials:	RoHS-compliant
	Free of copper and PTFE

#### Dimensions and ordering data

Size	B1	B2	B3	B4	B5	D1	L1	L2	L3	L4	Weight [g]	Part no.	Type
MS12	162	124	12	99	184	G1	230	100	11	100	1300	537135	MS12-AGF
					184	G1 1/4						537136	MS12-AGG
					184	G1 1/2						537137	MS12-AGH
					196	G2						537138	MS12-AGI

† Note: This product conforms to ISO 1179-1 and ISO 228-1.

## Covering kits MS4, MS6/MS9/MS12

Covering kit MS...-RB-10

- For covering the rear of the housing

Material:

Reinforced PA

RoHS-compliant

Free of copper and PTFE



### Operating and environmental conditions

Temperature of medium	[°C]	-10 ... +60
Storage temperature	[°C]	-10 ... +60
Corrosion resistance class CRC <sup>1)</sup>		2

1) Corrosion resistance class CRC 2 to Festo standard FN 940070

Moderate corrosion stress. Indoor applications in which condensation can occur. External visible parts with primarily decorative surface requirements which are in direct contact with a normal industrial environment.

### Ordering data

Size	Weight [g]	Part no.	Type
MS4	60	<b>8147574</b>	<b>MS4-RB-10</b>
MS6	72	<b>8147575</b>	<b>MS6-RB-10</b>
MS9	170	<b>8147576</b>	<b>MS9-RB-10</b>
MS12	300	<b>8147577</b>	<b>MS12-RB-10</b>

## Safety components MS4, MS6/MS9/MS12

### Padlock LRVS-D



#### Operating and environmental conditions

Ambient temperature	[°C]	-20 ... +60
Temperature of medium	[°C]	-20 ... +60
Corrosion resistance class CRC <sup>1)</sup>		2

1) Corrosion resistance class CRC 2 to Festo standard FN 940070

Moderate corrosion stress. Indoor applications in which condensation can occur. External visible parts with primarily decorative surface requirements which are in direct contact with a normal industrial environment.

#### Materials

Housing	Brass
Note on materials:	RoHS-compliant

#### Ordering data

Size	Weight [g]	Part no.	Type
MS4, MS6, MS9, MS12	120	<b>193786</b>	<b>LRVS-D</b>