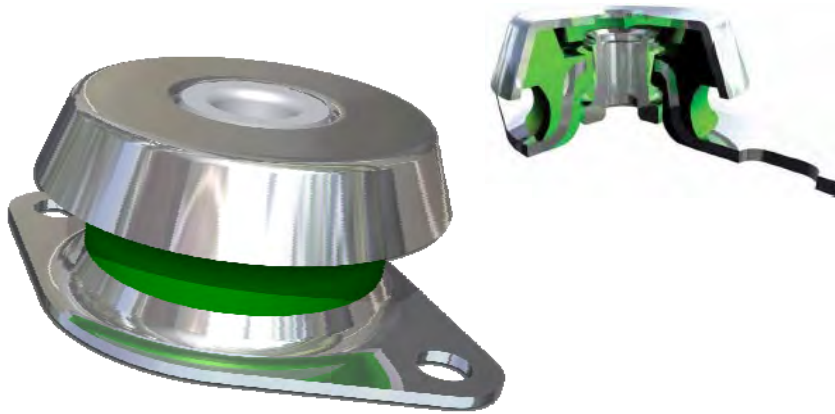




Bell Mounts - Type CFAB



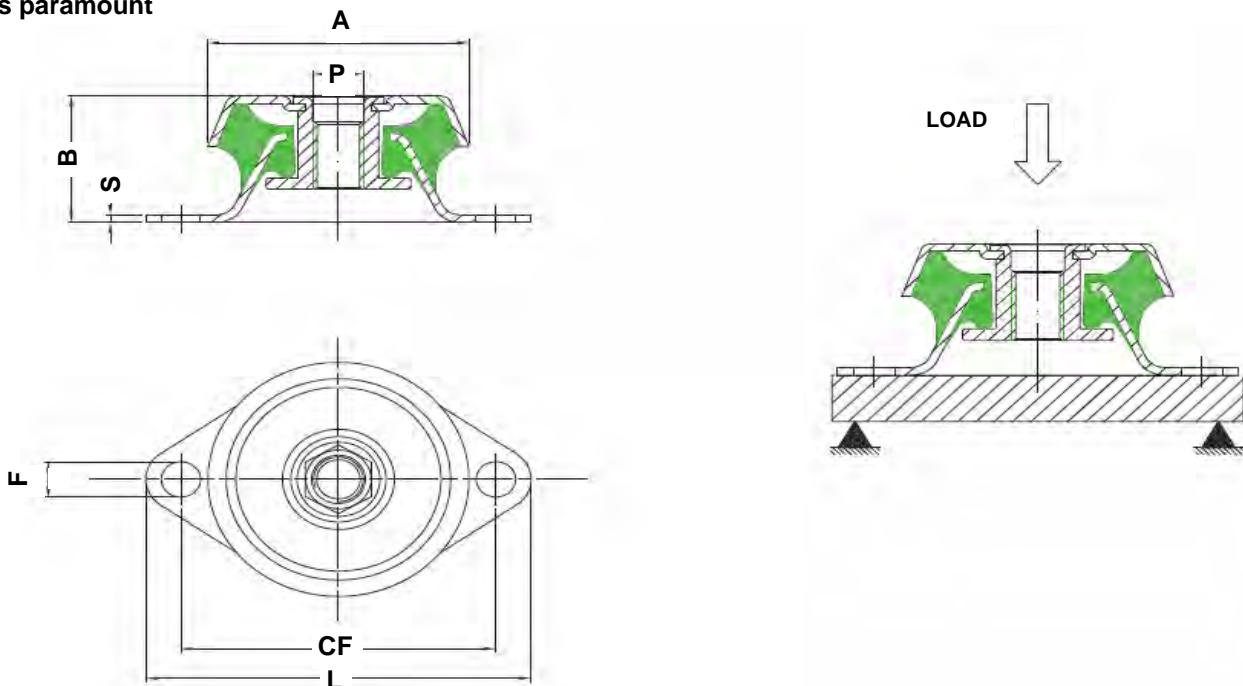
Applications

- Gensets
- Marine Engines
- Diesel Engines
- Pumps
- HVAC

The CFAB range of mounts offer a low profile, easy to install design with an integral fail-safe device to provide shock and failure protection for mobile, marine or seismic stationery applications.

When the rubber works in shear and compression, it provides large static deflections, low natural frequencies (to 8 hz) and high isolation.

Our CFAB range is designed with a fail-safe function making it an ideal solution for applications where safety is paramount



RS Ref:	Fibet Ref:	Hardness (IRHD)	A	B	P	F	CF	L	S	Average Stiffness (daN/mm)	Maximum Load (daN)	Maximum Deflection (mm)
720-3473	CFAB-XW	35	63	34	M12	9.5	76	93	2	20.0	70.0	3.5
720-3477	CFAB-W	45	63	34	M12	9.5	76	93	2	30.0	110.0	3.5
720-3486	CFAB-K	50	63	34	M12	9.5	76	93	2	37.0	130.0	3.5