

4

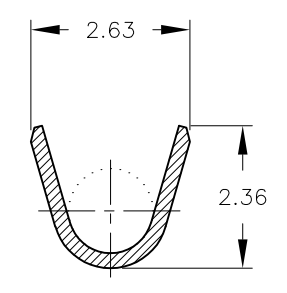
3

2

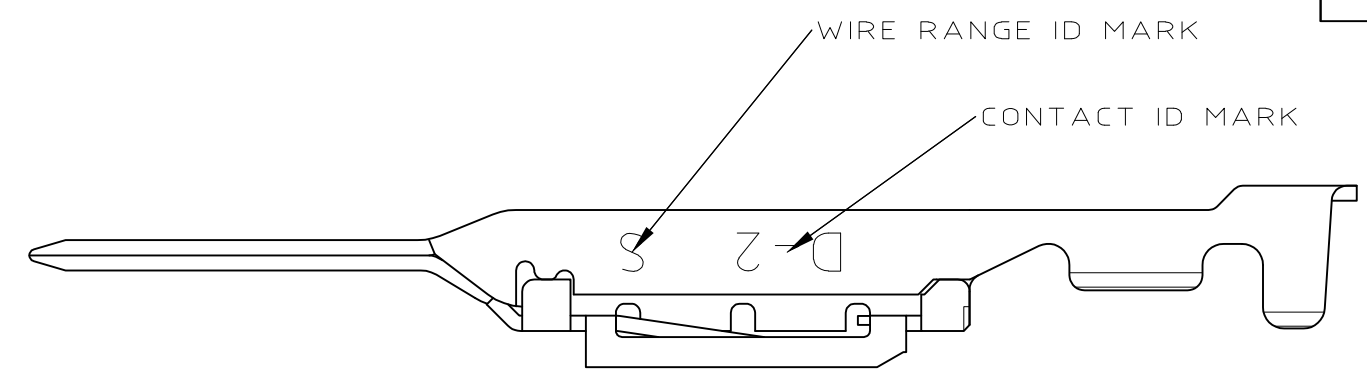
1

THIS DRAWING IS UNPUBLISHED. RELEASED FOR PUBLICATION
 © COPYRIGHT - ALL RIGHTS RESERVED.

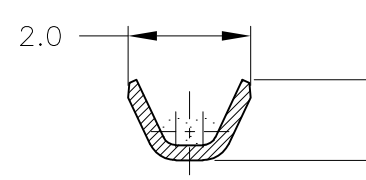
LOC	DIST	REVISIONS			
P	LTR	DESCRIPTION	DATE	DWN	APVD
		C1 REVISED PER ECO-11-005030	22MAR11	RK	HMR



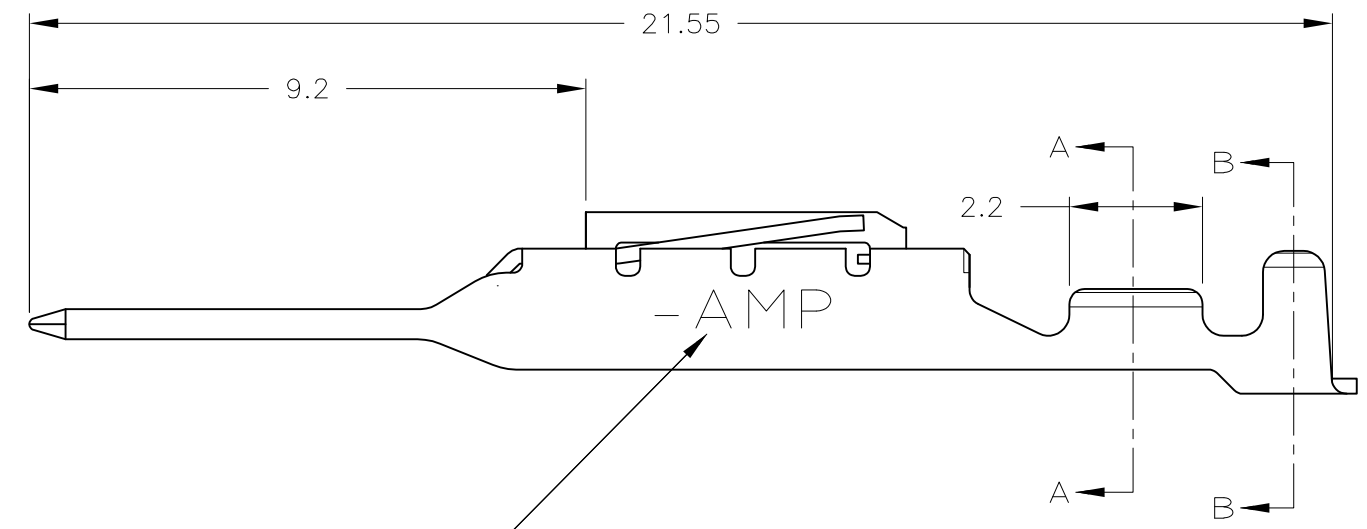
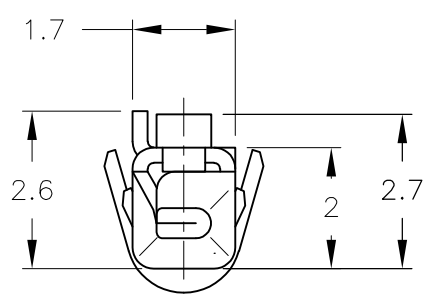
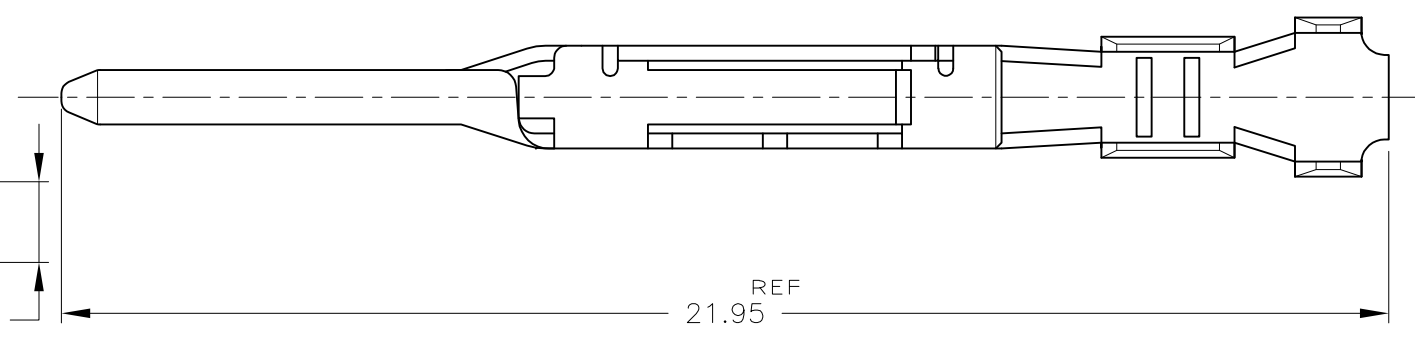
SECT B-B



-1:AS SHOWN



SECT A-A



AMP MARK

NOTES

- 1. FINISH(CONTACT AREA):0.38μmMIN GOLD PLATING OVER Ni PLATING

DIMENSIONS: mm		TOLERANCES UNLESS OTHERWISE SPECIFIED		DWN K.IKEDA 7/DEC/'98	WIRE RANGE AWG #28~#24	INSULATION DIA 0.88~1.5	
		±0.3 >10 : ±0.35 >30 : ±0.4 ANGLE : ±3°		CHK N.MATSUBARA 7/DEC/'98	TE Connectivity TAB CONTACT "S" SIZE,L/P <DYNAMIC D-2 SERIES>		
				APVD I.HASEGAWA 7/DEC/'98			
MATERIAL (COPPER ALLOY)		FINISH SEE NOTE		PRODUCT SPEC 108-5619	SIZE A3	CAGE CODE 00779	DRAWING NO C-1318112
				APPLICATION SPEC 114-5258	RESTRICTED TO -		SCALE 8-1
				WEIGHT CUSTOMER DRAWING	SHEET 1 OF 1		REV C1