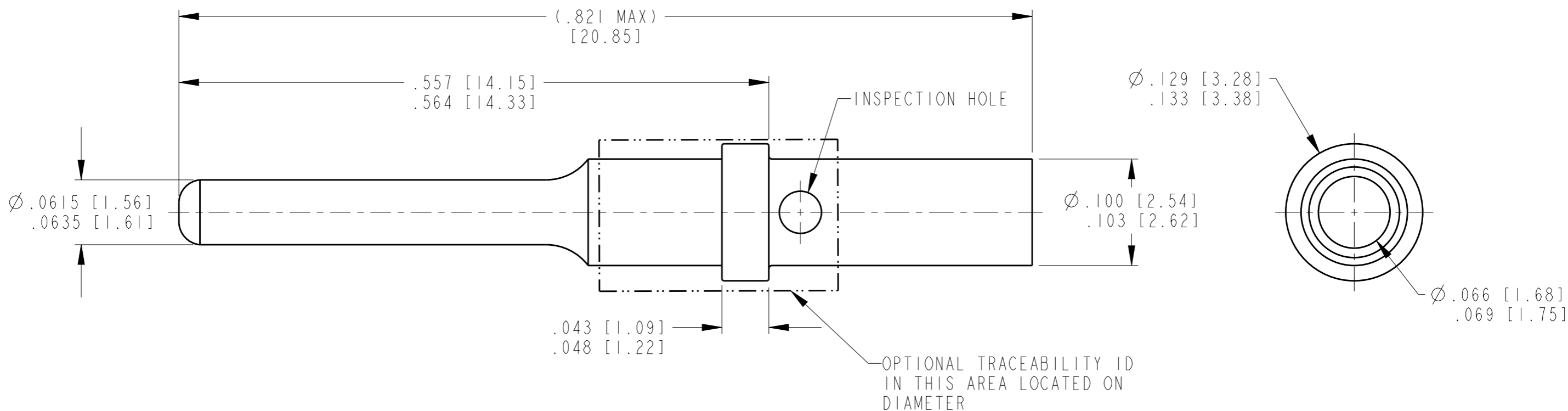


REVISIONS

P	LTR	DESCRIPTION	DATE	DWN	APVD
	C	REVISED PER PCN E-18-001206	24JAN2018	JA	DM



TE INTERNAL PN	DEUTSCH PN	PLATING
0460-202-1631	0460-202-1631	GOLD
0460-202-16141	0460-202-16141	NICKEL

THIS DRAWING IS A CONTROLLED DOCUMENT.		DWN D. MEYER 18DEC1997	<b>STE</b> TE Connectivity	
DIMENSIONS: INCHES [mm]		CHK VLADIMIR TOMSA 25MAY1999		
TOLERANCES UNLESS OTHERWISE SPECIFIED:		APVD R. REED 25MAY1999	NAME CONTACT PIN SIZE 16	
0 PLC ±		PRODUCT SPEC 0425-015-0000	SIZE A3	
1 PLC ±		APPLICATION SPEC 0425-205-0000	CAGE CODE 4AFU8	DRAWING NO 0460-202-16XX
2 PLC ±		WEIGHT 0.55g	RESTRICTED TO	
3 PLC ±		CUSTOMER DRAWING	SCALE 10:1	SHEET 1 OF 1
4 PLC ±				REV C
ANGLES ±				
FINISH				

1. WIRE RANGE: 20 AWG TO 16 AWG [0.50-1.5 mm<sup>2</sup>].

NOTES:

# Mouser Electronics

Authorized Distributor

Click to View Pricing, Inventory, Delivery & Lifecycle Information:

[TE Connectivity:](#)

[0460-202-1631](#)