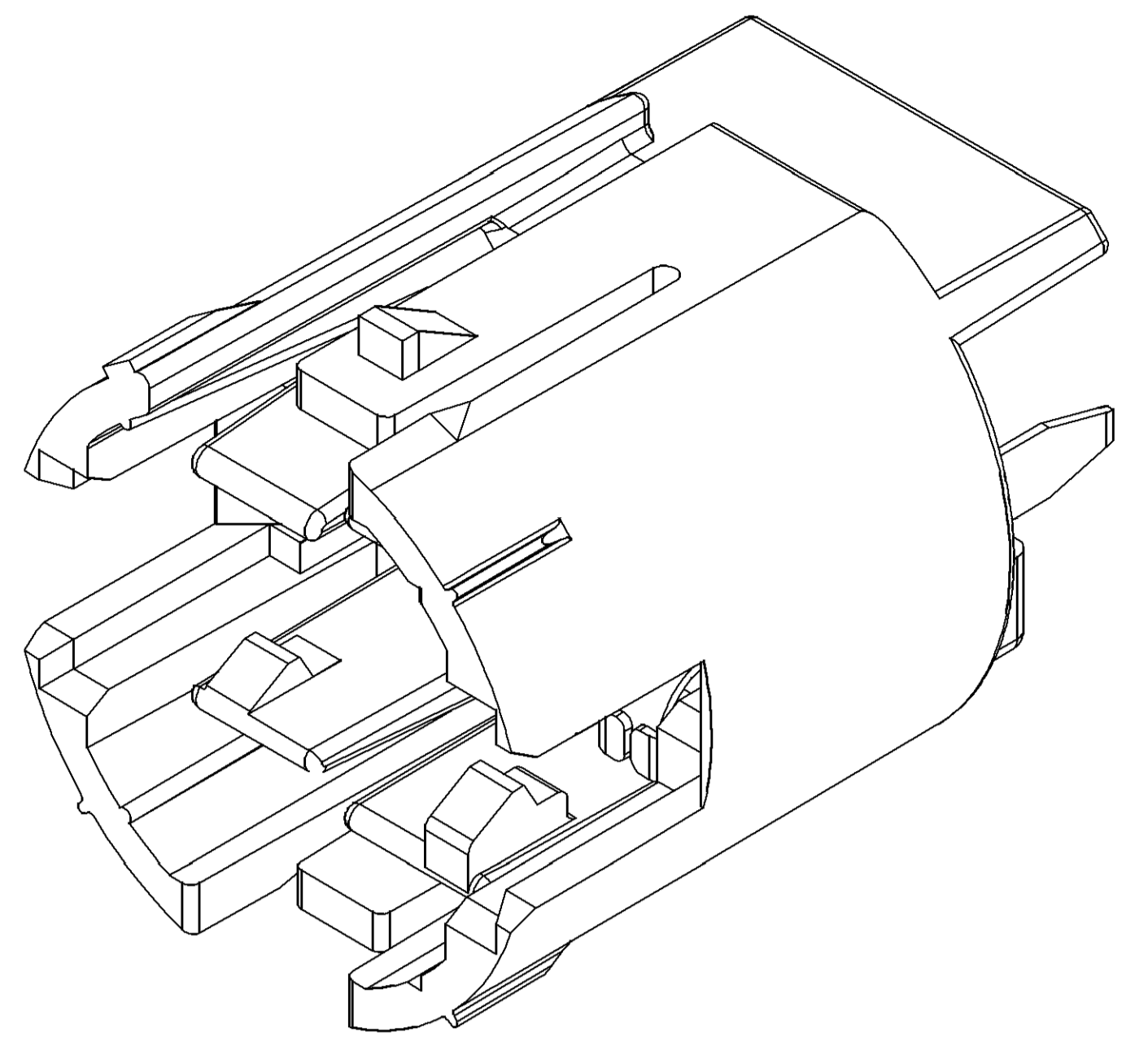


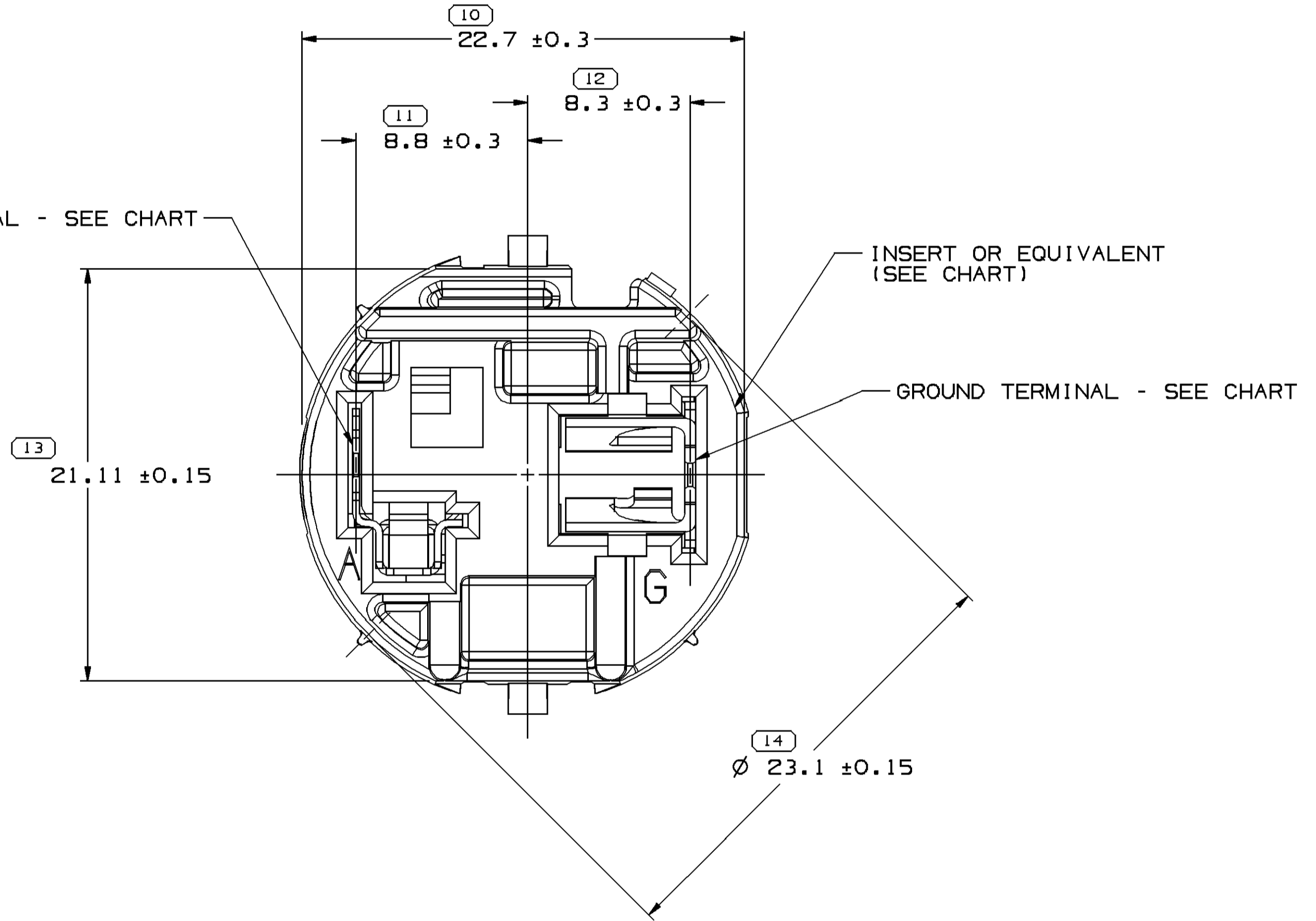
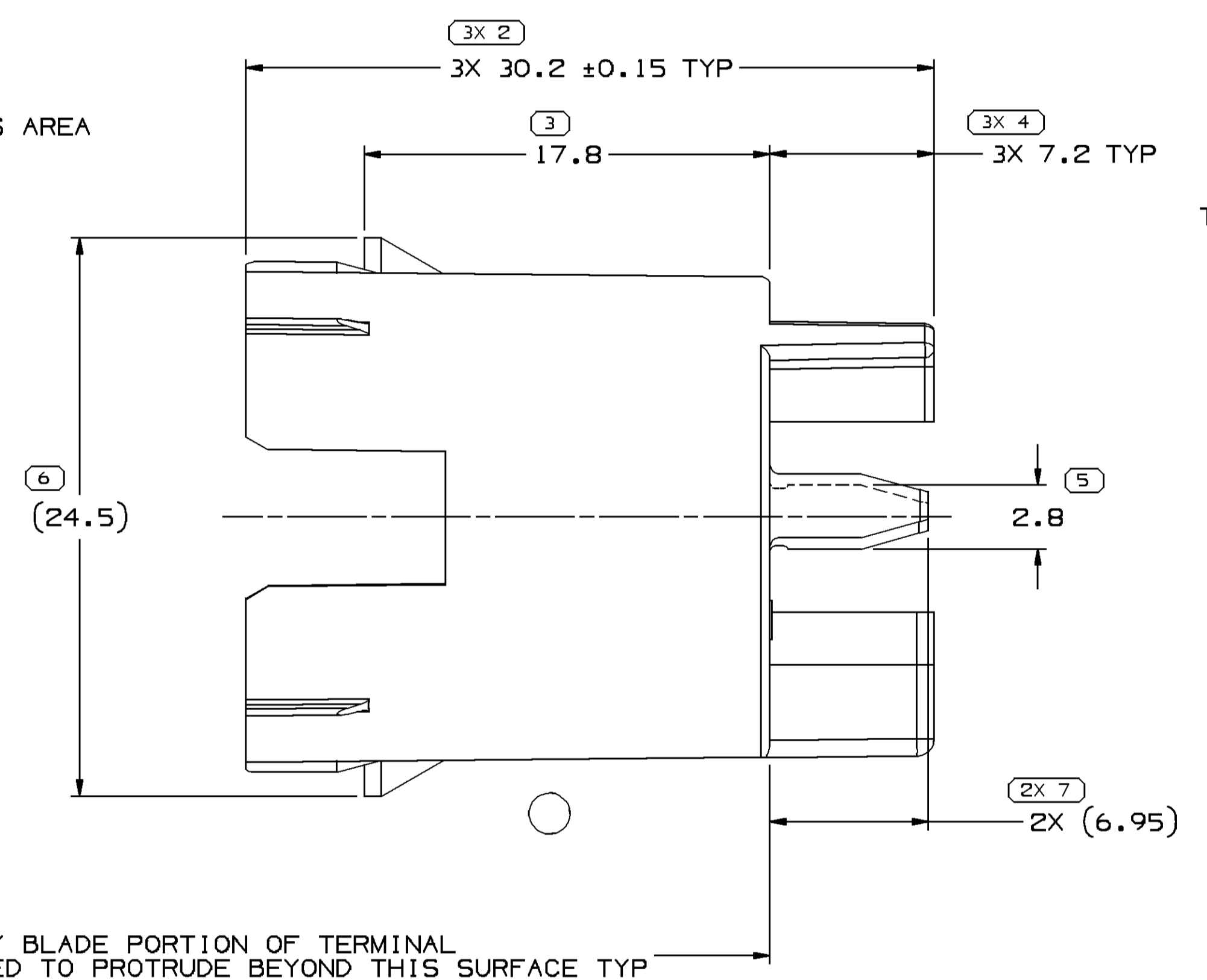
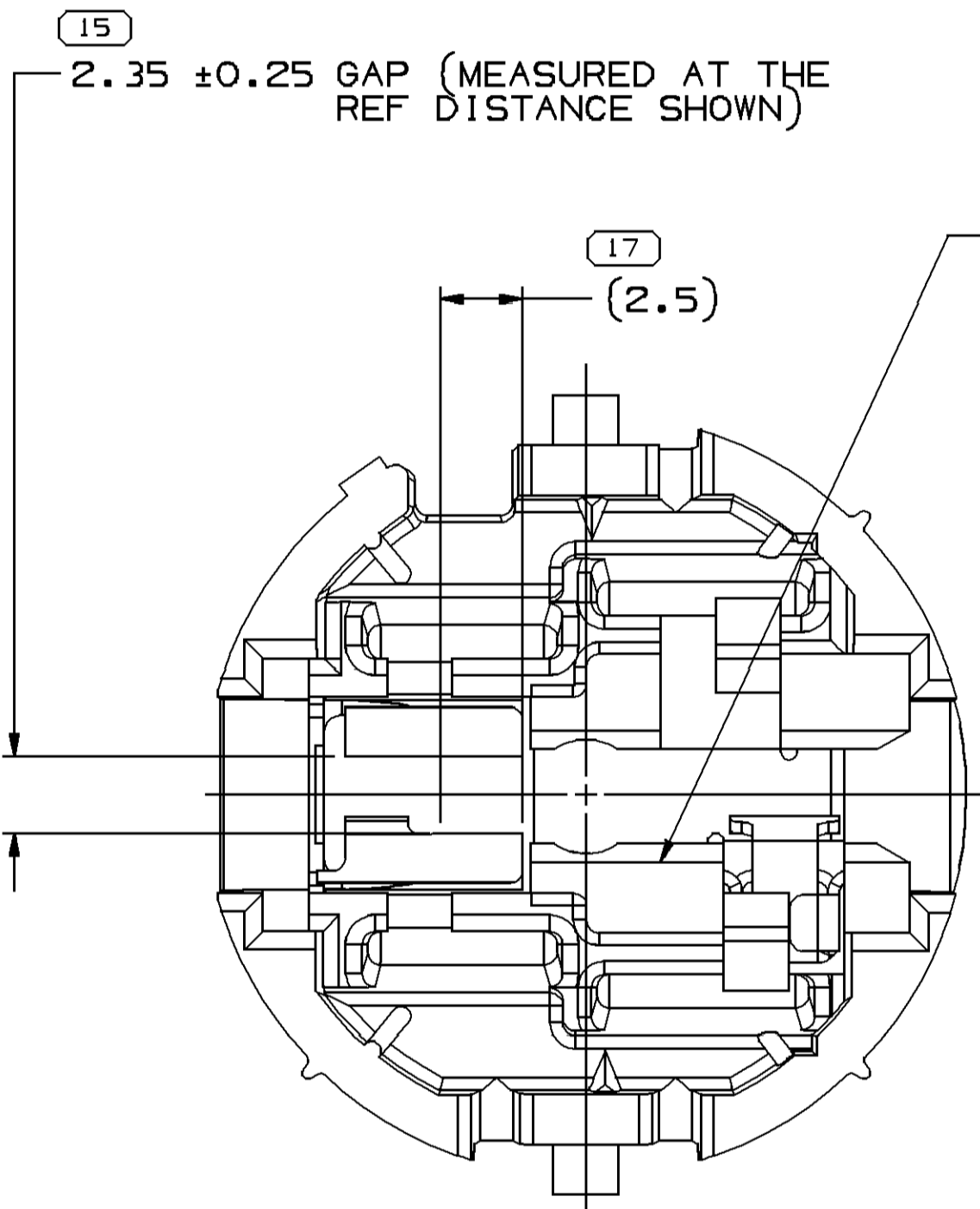
FRONT BACK

OPTIONAL CONSTRUCTION



SYMBOL DEFINITION		
A DIMENSION WITHOUT AN INSPECTION REPORT SYMBOL DOES NOT REQUIRE INSPECTION. IT MAY BE CONTROLLED ON THE INDIVIDUAL COMPONENT DRAWING.	TOTAL NO OF INSPECTIONS REQUIRED	19
	LAST NO. USED	17

MISSING SYMBOLS				DATE		DWG STATUS		ZONE		REVISION HISTORY		AUTH		DR		AP/VD			
DATE	STG	REV	N/P	CHG	DATE	STG	REV	N/P	CHG	DATE	STG	REV	N/P	CHG	DATE	STG	REV	N/P	CHG
23JAN02	R	04	-	-						CLEARED REV COL: 12177161 - ADDED NFO NOTE & ALL ACTIVE PARTS - REVISED DIM PLACES (1 PLC)	219182	RVP	RVP	AL					
18AP02	R	05	-	-						ALL ACTIVE PARTS - REVISED GRAPHICS	224130	RVP	RVP	AL					
28AP04	R	06	-	-						REVISED TERMINAL 12092043: DIM 12 CORRECTED (WAS B.4).	253560	LMB	LMB	BR					
04AUG04	-	07	-	-						ALL PARTS - CORRECTED DIM #14, WAS 23.5	257694	AKJ	AKJ	RWR					
08SEP04	R	08	-	-						15354646 - WAS SEPARATE DRAWING ALL ACTIVE PARTS - ADDED NOTES #5 & #6 AND ADDED OPTIONAL CONSTRUCTION	257707	EES	EES	MEF					
17AUG06	R	09	-	-						15324356 - OBSOLETE	283320	MDH	FRG	MEF					
24JAN08	R	10	-	-						ALL ACTIVE PARTS - REVISED ASM CHART, & DIMS (3PLCS), UPDATED PDM ATTRIBUTES	403641	PJC	PJC	SLS					
05MAY08	R	11	-	-						ALL ACTIVE PARTS - REMOVED LAMP SOCKET COLUMN FROM CHART AND ANNOTATION FROM RIGHT VIEW	404037	SAM	SAM	SLS					



- NOTES
- UNLESS OTHERWISE SPECIFIED AND/OR INDICATED:
DIMENSIONS ARE TO FACE OF VIEW SHOWN AND AUTOMATICALLY ROUNDED BY COMPUTER FOR INSPECTION. (SEE MATH MODEL FOR PRECISE DIMENSIONS.) FOR ALL OTHER DIMENSIONS NOT SHOWN BUT REQUIRED FOR TOOL BUILD, SEE MATH MODEL FOR PRECISE TOOL PATH DATA.
 - MATING COMPONENTS OR EQUIVALENT:
LAMP SOCKET BODY 12160393 OR 15354859
 - TERMINAL RETENTION 25N MIN IN CAVITY "G"
 - TERMINAL RETENTION 10N MIN IN CAVITY "A"
 - THIS PART ACCEPTS THE FOLLOWING COMPONENTS OR EQUIVALENT:
BULB 09442082
 - THIS PRODUCT IS NOT CATEGORIZED AS AN APPEARANCE ITEM, MINOR IMPERFECTIONS INCLUDING, BUT NOT LIMITED TO, FLOW MARKS, COLOR BLEMISHES, GATE VESTIGE, AND SOFT FLASH THAT DO NOT AFFECT THE FIT, FORM, OR FUNCTION OF THE PART ARE PERMISSIBLE PER NAP 4.10-1B.

PART NO	REV	N/P	STATUS	INSERT PART NO	GROUND TERMINAL	TERMINAL	COLOR
15354646	04	AC		15354644	12092043	12092063	NAT
15354861	A3	-	INACTIVE	15354860	12092043	12092063	GRA
15324356	04	AB	OBSOLETE	15324352	12092043	12092063	BLK
12177161	05	AC		12177160	12092043	12092063	GRA LT

DIMENSIONAL RANGE (MM)	TOLERANCE UNLESS OTHERWISE SPECIFIED
FROM > 0 TO > 20	±0.15
> 20 TO > 30	±0.2
> 30 TO > 70	±0.3
> 70 TO > 100	±0.4
> 100 TO > 150	±0.5
> 150 TO > 200	±0.6
> 200 TO > 250	±0.8
> 250 TO > 300	±1.0
> 300 TO > 400	±1.2

DWG TYPE: PART DRAWING

STYLE: D

VOLUME 10/11 DISTR CODE: D

UNLESS OTHERWISE SPECIFIED THIS DOCUMENT IS IN ACCORDANCE WITH ASME Y14.5M-1994 AS MODIFIED BY THE IN-SUPPLY DISCREPANCY AND TOLERANCE ADDENDUMS. SEPARATE WRITINGS OR FEATURES MAY BE BASED SEPARATELY REGARDLESS OF DRAWING REFERENCES.

ALL DIMENSIONS ARE IN MILLIMETERS

THIRD ANGLE PROJECTION

DO NOT SCALE USE MATH DATA

DELPHI
DELPHI PACKARD ELECTRICAL/ELECTRONIC ARCHITECTURE
NAPER, OH

DR	DATE
APV01 H. GAMA	27MR98
APV02 R. CHACON	09AP98
APV03 J. ALVAREZ	13AP98
APV04	

APV05 SUBSTANCES OF CONCERN AND RECYCLED CONTENT PER DELPHI 10949001

MATERIAL: SEE CHART

DRAWING NAME: TAXI ASM LOCK INSERT LP SOC WGE BSE W3

DRAWING NUMBER: 15324355

SCALE: 5:1

FRAME NO: 1 OF 1

SHEET NO: 1 OF 1

REV: N/P

DATE: 11-Mar-08 Time: 08:47

Mouser Electronics

Authorized Distributor

Click to View Pricing, Inventory, Delivery & Lifecycle Information:

[Aptiv:](#)

[12177161](#)