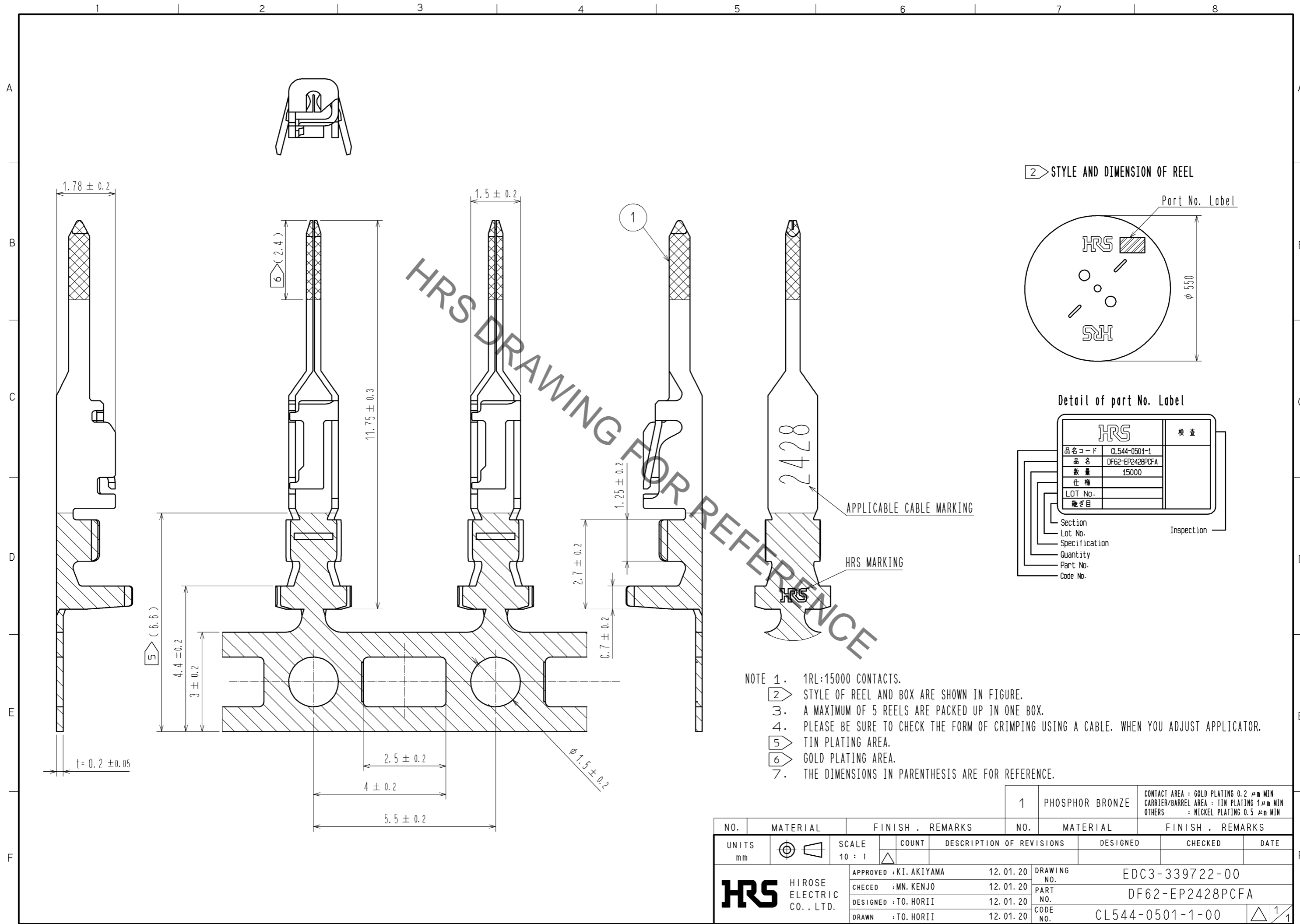


Aug.1.2019 Copyright 2019 HIROSE ELECTRIC CO., LTD. All Rights Reserved.
In case of consideration for using Automotive equipment / device which demand high reliability, kindly contact our sales window correspondents.



NO.	MATERIAL	FINISH . REMARKS	NO.	MATERIAL	FINISH . REMARKS
1	PHOSPHOR BRONZE				CONTACT AREA : GOLD PLATING 0.2 μm MIN CARRIER/BARREL AREA : TIN PLATING 1 μm MIN OTHERS : NICKEL PLATING 0.5 μm MIN

UNITS	SCALE	COUNT	DESCRIPTION OF REVISIONS	DESIGNED	CHECKED	DATE
mm	10 : 1	△				

HRS HIROSE ELECTRIC CO., LTD.	APPROVED : KI. AKIYAMA	12. 01. 20	DRAWING NO.	EDC3-339722-00
	CHECED : MN. KENJO	12. 01. 20	PART NO.	DF62-EP2428PCFA
	DESIGNED : TO. HORII	12. 01. 20	CODE NO.	CL544-0501-1-00
	DRAWN : TO. HORII	12. 01. 20		