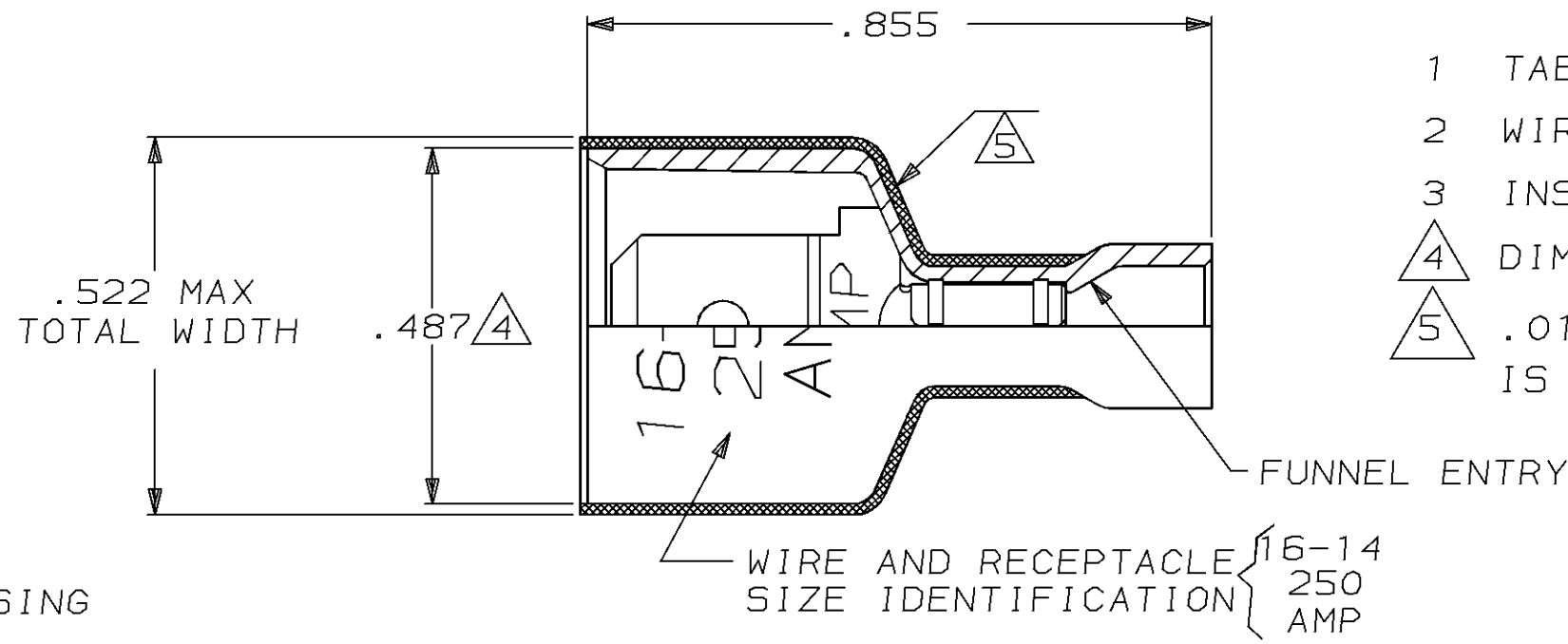
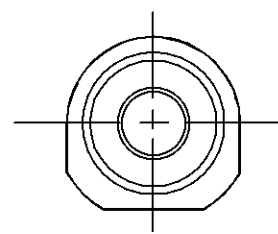
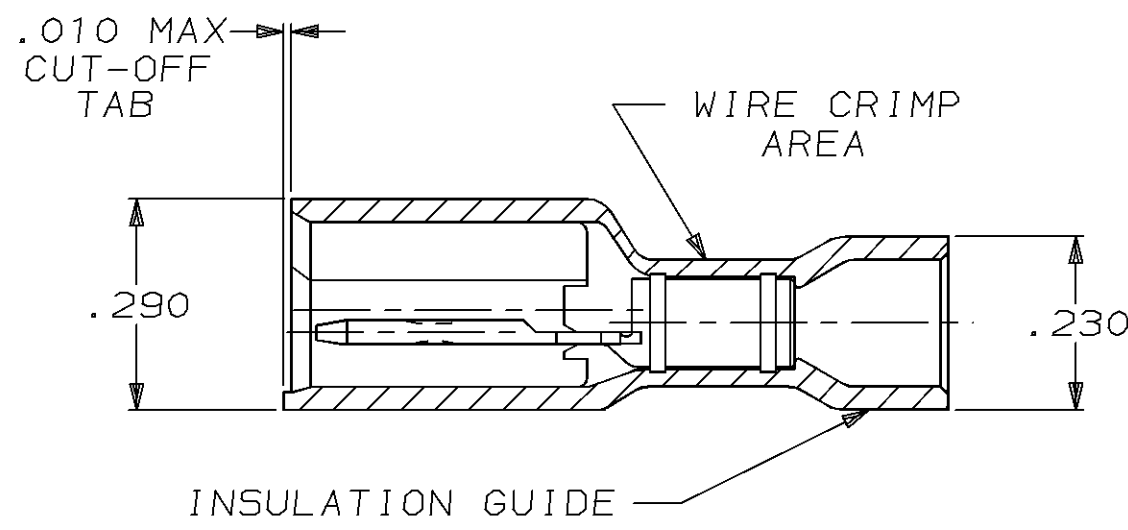
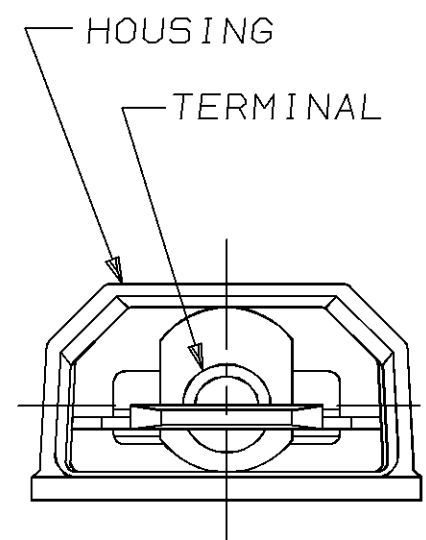


THIS DRAWING IS UNPUBLISHED. RELEASED FOR PUBLICATION, 19
 © COPYRIGHT 19 BY AMP INCORPORATED. ALL INTERNATIONAL RIGHTS RESERVED.

LOC	DIST	P	F	REVISIONS				
AF	50			ZONE	LTR	DESCRIPTION	DATE	APPD
					J	REV PER 0710-0057-95	2/16/95	JR/JW



- 1 TAB DIMENSIONS .032±.001x.250
- 2 WIRE STRIP LENGTH .281
- 3 INSULATION SIZE .160 MAX DIA
- △4 DIMENSION DOES NOT INCLUDE TRIM BURR
- △5 .015 MAX CARRIER TRIM BURR PER SIDE IS ALLOWABLE IN THE SHADED AREA



HOUSING: NYLON, COLOR-BLUE TRANSLUCENT		3-520107-2	
RECEPTACLE: #3 HARD BRASS, TIN .000080 MIN		PART NO	
MATERIAL & FINISH		AMP INCORPORATED Harrisburg, Pa. 17105	
DO NOT SCALE PRINT. UNLESS SPECIFIED DIMENSIONS IN INCHES TOLERANCES ON: 2 PLC DEC ± - 3 PLC DEC ± .015 ANGLES ± -	DR 11/15/88 P FORTNEY	NAME TAB ASSEMBLY, ULTRA-FAST, LOOSE PIECE, .250 SERIES, 16-14 AWG	
	CHK 11/30/88 MS FEHER		
MATERIAL SEE TABLE	APPD 12/14/88 KA RANDOLPH	SIZE B	FSCM NO 00779
	APPD 1/9/89 TL SHUTTER	DRAWING NO 520107	
FINISH SEE TABLE	PRODUCT SPEC 108-2017	SCALE 4:1	SHEET 1 OF 1
	APPLICATION SPEC 114-2123		
	WEIGHT -		