

PLEASE CHECK WWW.MOLEX.COM FOR LATEST PART INFORMATION

Part Number: [0511161601](#)
Status: **Active**
Description: 4.00mm Pitch, OBD-II Wire-to-Wire Receptacle Housing, Flange Mount, 16 Circuits

Documents:

[3D Model](#) [Product Specification PS-51115-001-001 \(PDF\)](#)
[3D Model \(PDF\)](#) [Application Specification AS-51115-001-007 \(PDF\)](#)
[Drawing \(PDF\)](#) [RoHS Certificate of Compliance \(PDF\)](#)

General

Product Family Crimp Housings
 Series [51116](#)
 Application Power, Wire-to-Wire
 Product Name OBD-II
 UPC 800754236980

Physical

Circuits (maximum) 16
 Color - Resin Black
 Gender Receptacle
 Glow-Wire Capable No
 Keying to Mating Part None
 Lock to Mating Part Yes
 Material - Resin Polyester
 Net Weight 10474.200/mg
 Number of Rows 2
 Packaging Type Bag
 Panel Mount No
 Pitch - Mating Interface 4.00mm
 Stackable No
 Temperature Range - Operating -40° to +85°C

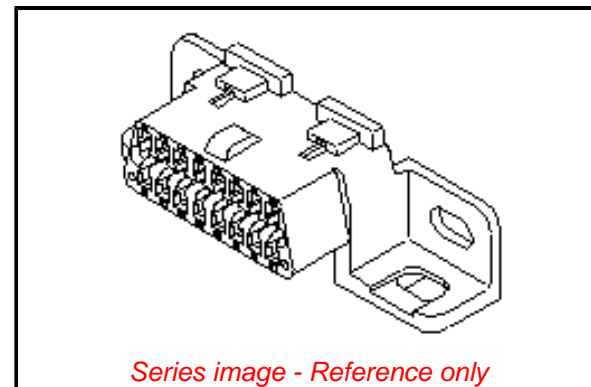
Solder Process Data

Lead-freeProcess Capability N/A

Material Info

Reference - Drawing Numbers

Application Specification AS-51115-001-007
 Product Specification PS-51115-001-001
 Sales Drawing SD-51116-XX0X



EU ELV

Compliant

EU RoHS

Compliant

REACH SVHC

Not Contained Per -
 D(2020)9139-DC (19
 Jan 2021)

Halogen-Free

Status

Not Low-Halogen

For more information, please visit [Contact US](#)

China ROHS

ELV

RoHS Phthalates

China RoHS

Green Image

Compliant

Not Contained

Search Parts in this Series

[51116 Series](#)

Mates With

OBD-II Male Housing [685031602](#)

Use With

50420 , 51118

Mouser Electronics

Authorized Distributor

Click to View Pricing, Inventory, Delivery & Lifecycle Information:

[Molex:](#)

[51116-1601](#)