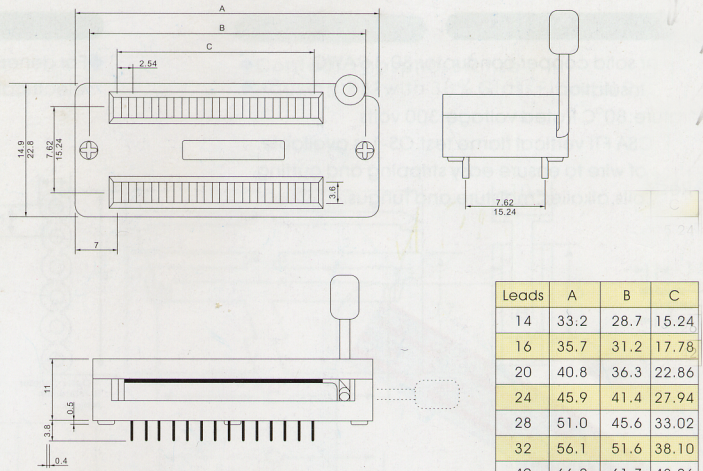
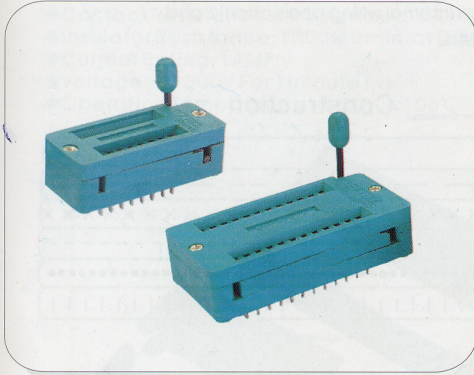


DS1044 SERIES

ZIF SOCKET



ZHENQIN



Leads	A	B	C
14	33.2	28.7	15.24
16	35.7	31.2	17.78
20	40.8	36.3	22.86
24	45.9	41.4	27.94
28	51.0	45.6	33.02
32	56.1	51.6	38.10
40	66.2	61.7	48.26
48	76.4	71.9	58.42

UNIT:mm

Ordering Information

Series No.	No. of Contacts	Contact Plating	Housing Color	Row Spacing
DS1044	34	Si	00	0
	14 28	T: Tin plated Si: Gold Flash (Please contact us for other plating thickness)	00:Blue 01:Black 07:Green	0:0.3 and 0.6 inch 3:0.3 inch(7.62mm) 4:0.4 inch(10.16mm) 6:0.6 inch(15.24mm) 9:0.9 inch(22.86mm)

DS1057 SERIES & DS 1058 SERIES

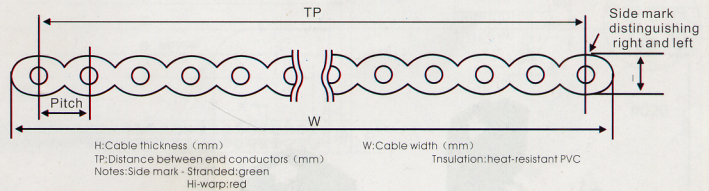
DS1057 SERIES FLAT CABLE 2651 GRAY COLOUR & DS1058 SERIES MULTI COLOUR

FEATURES

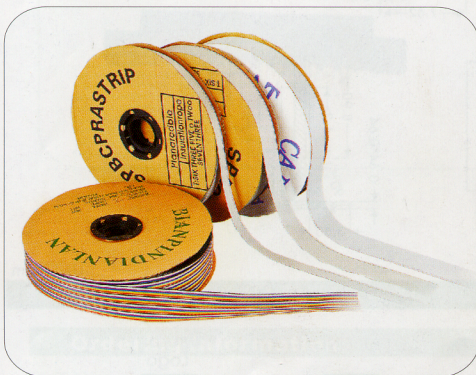
- ◆ Easy one-step IDC connection without insulation stripping.
- ◆ No need to distinguish the rear side because both sides of the cable are the same.
- ◆ Easy branching by splitting.
- ◆ Rating: 105°C, 300V
- ◆ Standard: Applicable Standard: UL Subject 758
- ◆ Conductor Size 24, 26, 28 AWG

APPLICATION

- ◆ Internal wiring of computers, electronic exchanges, measurement control devices, business machines, communication devices, and other electronic equipment.



H: Cable thickness (mm)
TP: Distance between end conductors (mm)
Notes: Side mark - Stranded; green
Hi-wrap: red
W: Cable width (mm)
Insulation: heat-resistant PVC



Construction and characteristics

Conductor				Dimensions			Max. cond resistance, DC 20°C (Ω/km)	Min. insulation resistance, DC 20°C (MΩ·km)	Dielectric withstanding voltage (VAC for 1 min)
Number	Size (AWG)	Construction (No./mm)	Diameter (mm)	TP(mm)	W(mm)	H(mm)			
10	28	7/0.127	0.38	11.34	12.70	0.89	224	100	2000
14	28	7/0.127	0.38	16.51	17.78	0.89			
16	28	7/0.127	0.38	19.05	20.32	0.89			
20	28	7/0.127	0.38	24.13	25.40	0.89			
24	28	7/0.127	0.38	29.21	30.48	0.89			
26	28	7/0.127	0.38	31.75	33.02	0.89			
30	28	7/0.127	0.38	36.83	38.10	0.89			
34	28	7/0.127	0.38	41.91	43.18	0.89			
40	28	7/0.127	0.38	49.53	50.80	0.89			
50	28	7/0.127	0.38	62.23	63.50	0.89			
60	28	7/0.127	0.38	74.93	76.20	0.89			

UNIT:mm