

DS1020 SERIES

FFC/FPC CONNECTOR PITCH 2.54mm LIF.T/H

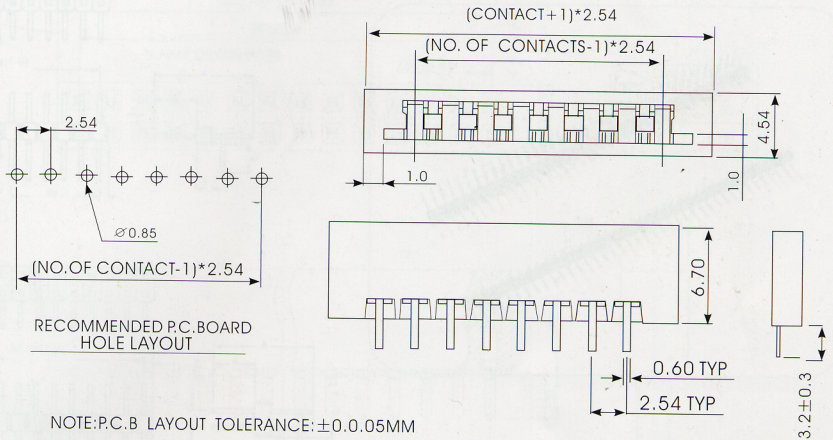
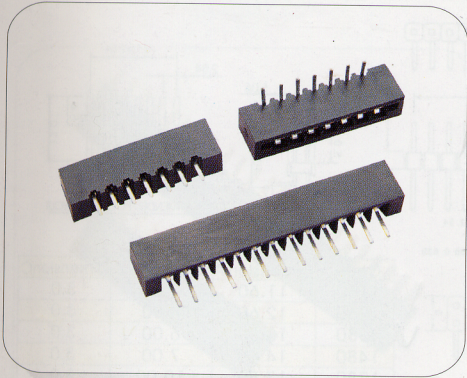


MATERIAL

- ◆ Insulator: Thermoplastic (UL 94V-0)
- ◆ Contact: Copper Alloy
- ◆ Contact Plated: See ordering information

SPECIFICATION

- ◆ Temperature: -55 ~ 105°C
- ◆ Contact Resistance: 20m Ω max. (initial)
- ◆ Insulation Resistance: 1,000M Ω min.
- ◆ Dielectric Withstanding Voltage: AC 1,000V per minute



UNIT:mm

Ordering Information

Series No.
DS1020

No. of Contacts
16
02-27

Contact Type
S
S: Straight
R: R/A

Contact Plating
T1
T1: 100 μ Min. Sn/Pb over all
50 μ Ni under plated

DS1021 SERIES

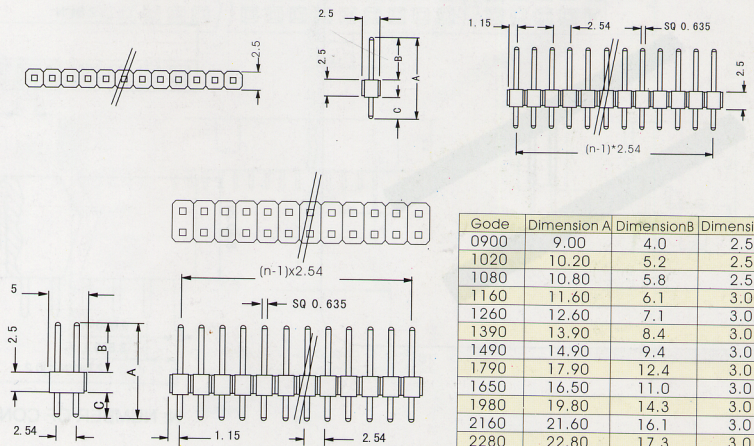
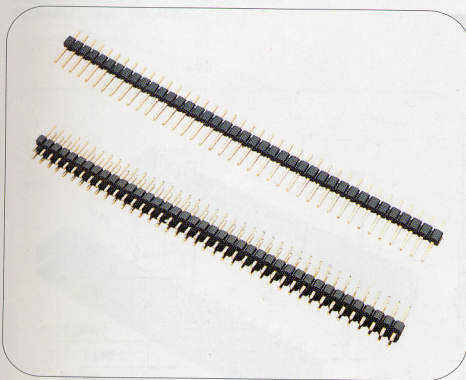
PIN HEADER PITCH 2.54mm S/T TYPE

MATERIAL

- ◆ Insulator: Thermoplastic (UL 94V-0)
- ◆ Contact: Copper Alloy
- ◆ Contact Plated: See ordering information

SPECIFICATION

- ◆ Storage Temperature: -20-70°C
- ◆ Operating Temperature: 0-85°C
- ◆ Contact Resistance: 20m Ω max. (initial)
- ◆ Insulation Resistance: 1,000M Ω min.
- ◆ Dielectric Withstanding Voltage: AC 1,000V per minute



UNIT:mm

Ordering Information

Series No.
DS1021

No. of Contacts
1*40
1 Row 1*1-1*40
2 Row 2*2-2*40

Mounting Type
S
S: Straight, Dip

Contact Plating
F1
F1: Gold Flash
(Please contact us for other plating thickness)