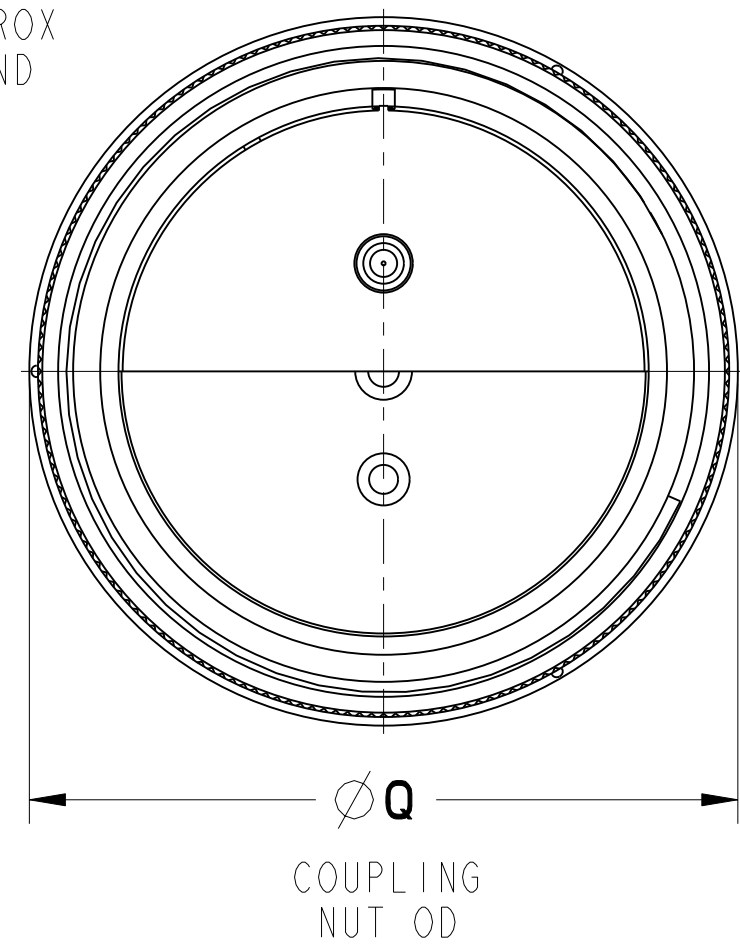
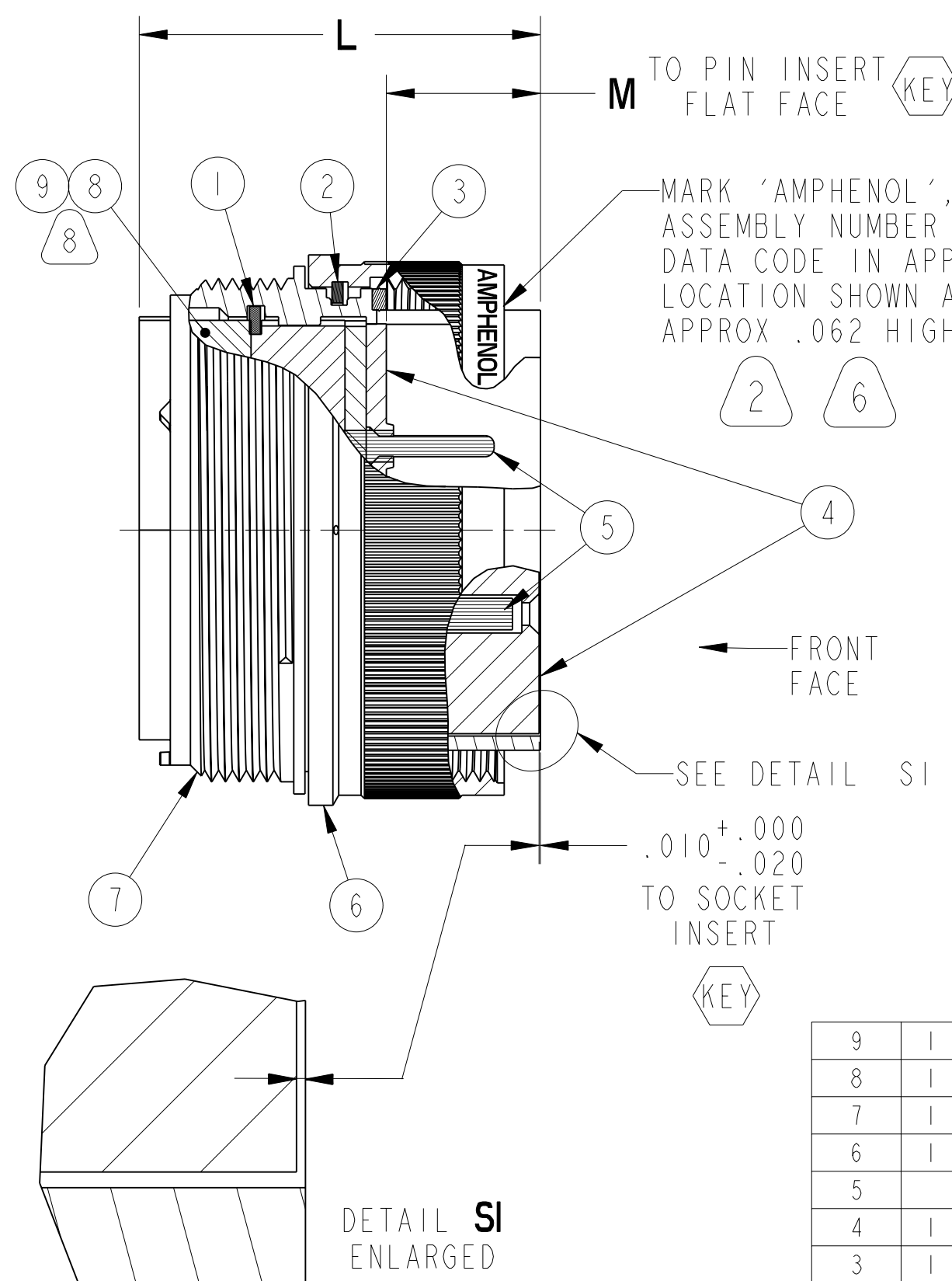
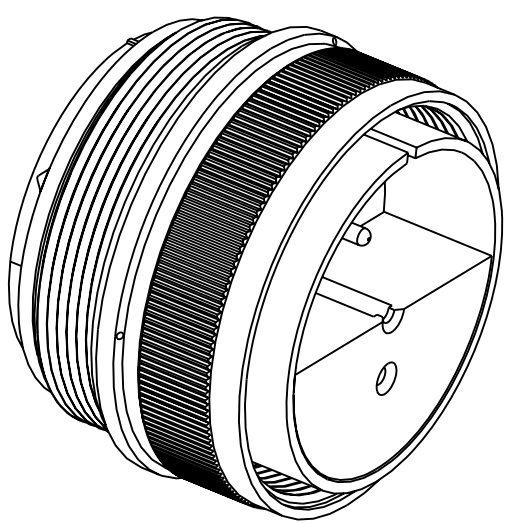


ASSEMBLY NUMBER	ARC6FE NUMBER REF	ARRANGEMENT DRAWING	SHELL SIZE	L MAX	M ±.011	ØQ MAX	TEST LOAD (POUNDS) MIN
10-642200-()	08-() (LC)	7000-023-08()	8	1.516	.510	.766	10
10-642201-()	10S-() (LC)	7000-023-10()	10S	1.516	.510	.891	15
10-642202-()	10SL-() (LC)	7000-023-11()	10SL	SEE INDIVIDUAL DRAWING			
10-642203-()	12-() (LC)	7000-023-12()	12	1.781	.698	1.016	25
10-642204-()	12S-() (LC)	7000-023-13()	12S	1.516	.510	1.016	25
10-642205-()	14-() (LC)	7000-023-14()	14	1.781	.698	1.141	25
10-642206-()	14S-() (LC)	7000-023-15()	14S	1.516	.510	1.141	25
10-642207-()	16-() (LC)	7000-023-16()	16	1.781	.698	1.250	35
10-642208-()	16S-() (LC)	7000-023-17()	16S	1.516	.510	1.250	35
10-642209-()	18-() (LC)	7000-023-18()	18	2.000	.698	1.344	50
10-642210-()	20-() (LC)	7000-023-20()	20	2.000	.698	1.469	50
10-642211-()	22-() (LC)	7000-023-22()	22	2.000	.698	1.594	60
10-642212-()	24-() (LC)	7000-023-24()	24	2.000	.698	1.719	60
10-642213-()	28-() (LC)	7000-023-28()	28	2.000	.698	1.984	90
10-642214-()	32-() (LC)	7000-023-32()	32	2.000	.698	2.219	90
10-642215-()	36-() (LC)	7000-023-36()	36	2.000	.698	2.469	120
10-642216-()	40-() (LC)	7000-023-40()	40	2.000	.698	2.719	150
10-642217/19-()				NOT AVAILABLE			



POS	QTY	PART NUMBER	DESCRIPTION	NOTE
9	1	10-642300/19()2	GROMMET, SOCKET	8
8	1	10-642300/19()1	GROMMET, PIN	8
7	1	10-642171-()	SHELL	5
6	1	10-642175-()	COUPLING NUT	5
5		SEE NOTE 4	CONTACTS	4
4	1	10-642370/89-()	INSERT ASSEMBLY	5
3	1	4200-002-()	GASKET	5
2	1	9800-019-()	SNAP RING	5
1	1	10-483954-()	RETAINING RING	5

C		SHEET 1 OF 1		10-642200/19	
REVISIONS					
LTR	DESCRIPTION			DATE	
C	(CL11) SEE CHANGE NOTICE ECN:A4693			6/19/08 Prescott	

- TO COMPLETE NUMBERS LISTED ADD APPLICABLE INSERT ARRANGEMENT NUMBER. FOR 10- NUMBER INCLUDE THE CONFIGURATION LETTER, FOR ARRANGEMENT DRAWING OMIT THE LETTER.
- MARK INDICATED INFORMATION ON SURFACE INDICATED PER 9-3856-5 SEE SHIPPER ADDITIONAL OR ALTERNATE MARKING DATA.
- CONNECTORS ILLUSTRATED ARE INTERMATEABLE WITH MIL-C-5015 CONNECTORS.
- CONNECTOR IS NOT SUPPLIED WITH CONTACTS. CONSULT FACTORY FOR THE APPROPRIATE PART NUMBERS AND QUANTITIES.
- THE PARTS LIST ON THIS DOCUMENT IS FOR REFERENCE ONLY. SEE SEPARATE PARTS LIST FOR COMPONENT PART NUMBERS AND QUANTITIES.
- THE DATE CODE SHALL BE PER 9-3895.
- TESTS: ALL CONNECTORS SHALL HAVE A LOAD (AS SPECIFIED IN COLUMN) APPLIED TO THE INSERT FRONT FACE.
- ASSEMBLE GROMMET AFTER THE INSERT AND SNAP RING HAVE BEEN INSTALLED IN THE SHELL.

NOTES:
THE USE OF THIS DOCUMENT IS UNLIMITED. HOWEVER, DOCUMENTS REFERENCED HEREON MAY CONTAIN LIMITED RIGHTS DATA.

UNLESS OTHERWISE SPECIFIED
SPECIFICATIONS
LINEAR DIMENSIONS ARE IN INCHES
TOLERANCES:
.XXXX = ±.0005 ANGLES= ±2°
.XXX = ±.010
.XX = ±.03
.X = ±.1
DIM. & TOL. PER ASME Y14.5M;
DRM PER MIL-DTL-31000;
OTHER Amphenol Sds. PER 9-3800
LEGENDS:
= FLAG NOTE CALL OUT REFERENCE ONLY

MATERIAL SPEC.
PROCESS SPEC.
9-9393-1
9-3856-5
9-3895

APPROVALS
DATE
PREPARED BY J A BADOLATO
ENGINEER IN CHARGE R BARNES
DESIGN MANAGER D GALLUSSER
DESIGN ACTIVITY GROUP C3
THIRD ANGLE PROJECTION

PARTS LIST
AMPHENOL CORPORATION
40-60 DELAWARE AVENUE
SIDNEY, N.Y. 13858
**CONNECTOR, ELECTRICAL
PLUG, TYPE AMPHE-RC,
ELECTROLESS NICKEL PLATED**
SCALE: NONE REF: 9446-***-P/S* SHEET 1 OF 1

N/A	PRO/ENGINEER INFORMATION
N/A	Pro/e Model Used: C10-642200-19.ASSEM
NEXT ASSEMBLY	Drawing Name: 10-642200-19

Mouser Electronics

Authorized Distributor

Click to View Pricing, Inventory, Delivery & Lifecycle Information:

[Amphenol:](#)

[C10-642216-56P](#)