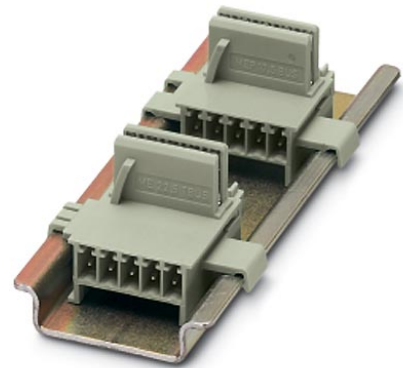



# ME 22,5 TBUS 1,5/ 5-ST-3,81 KMGY

Order No.: 2713722



Plug component, Nominal current: 8 A

Commercial data	
EAN	 4 017918 914516
Pack	50
Customs tariff	85366990
Gross weight in pieces	4.95 g
Country of Origin	DE
Catalog page information	Page 609 (CC-2011)

### Product notes

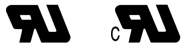
WEEE/RoHS-compliant since:  
01/01/2003



Please note that the data given here has been taken from the online catalog. For comprehensive information and data, please refer to the user documentation at <http://www.download.phoenixcontact.com>. The General Terms and Conditions of Use apply to Internet downloads.

Technical data	
<b>General</b>	
Color	gray
<b>Technical data</b>	
Connection in acc. with standard	CUL
Nominal voltage $U_N$	150 V
Nominal current $I_N$	8 A
Indicator1	CUL1
Inflammability class according to UL 94	V0

**Certificates**



Certification

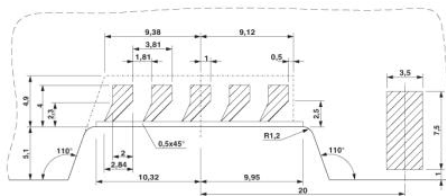
cULus Recognized, UL Recognized

Certifications applied for:

Certification Ex:

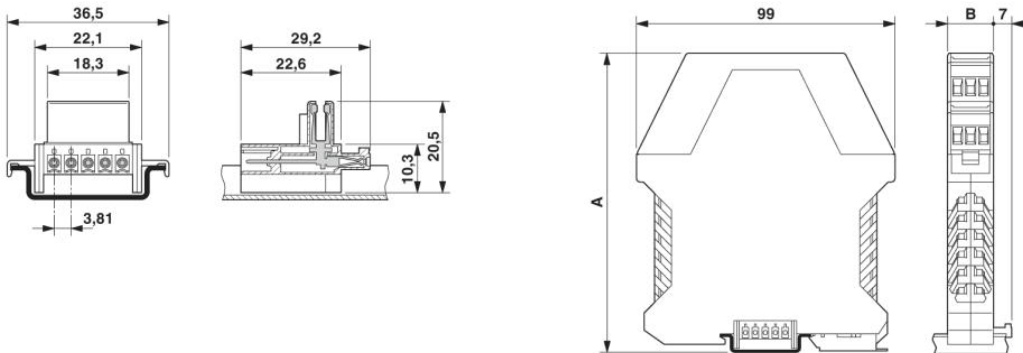
**Drawings**

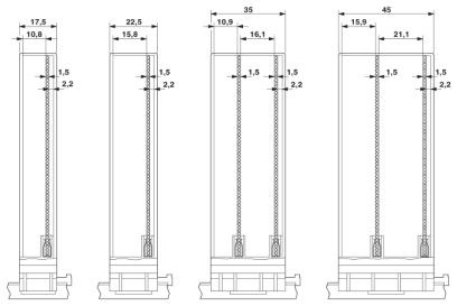
Drilling plan/solder pad geometry



Detailed dimensional drawing of the DIN rail connector contact pads

Dimensioned drawing





---

**Address**

PHOENIX CONTACT Ltd  
Halesfield 13  
Telford / Shropshire / TF7 4PG, England  
Phone 01952 681 700  
Fax 01952 681 799  
<http://www.phoenixcontact.co.uk>



Phoenix Contact Ltd.  
Technical modifications reserved;