

SKF Food Line Y-bearing units

Offer the potential for a relubrication-free solution for most wet, abrasive and contaminating environments

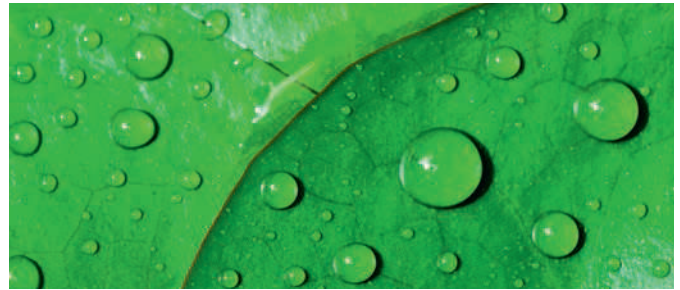


Contents

SKF – the knowledge engineering company	4	C Product data	
A Product information		Designation systems	19
SKF Food Line Y-bearing units	7	Product tables	22
Offer the potential for a relubrication-free solution for most wet, abrasive and contaminating environments.	7	Composite housings	22
SKF offers a solution, with a complete assortment of SKF Food Line Y-bearing units	9	Stainless steel housings	64
High-performance insert bearings	9	Y-bearings for metric shafts	80
Innovative and effective sealing system	10	Y-bearings for inch shafts	82
Chemical resistance	10	D Additional information	
End covers	11	SKF Food Line equivalent list, metric and inch shafts	85
High-quality, NSF H1 registered grease	11		
SKF Food Line Y-bearing units not requiring relubrication	13		
No relubrication means reduced environmental impact ..	13		
Reduced grease consumption	13		
Housing materials	14		
Composite housings	14		
Stainless steel housings	15		
B Recommendations			
Mounting instructions	16		
General	16		
Tools	16		
Attaching SKF Food Line Y-bearing units to the support base	16		
Shaft tolerances	16		
Permissible speed	17		
Assembling units	17		
Mounting instructions for SKF Food Line Y-bearing units	18		
End covers	18		

SKF – the knowledge engineering company

From one simple but inspired solution to a misalignment problem in a textile mill in Sweden, and fifteen employees in 1907, SKF has grown to become a global industrial knowledge leader.



Over the years, we have built on our expertise in bearings, extending it to seals, mechatronics, services and lubrication systems. Our knowledge network includes 46 000 employees, 15 000 distributor partners, offices in more than 130 countries, and a growing number of SKF Solution Factory sites around the world.

Research and development

We have hands-on experience in over forty industries based on our employees' knowledge of real life conditions. In addition, our world-leading experts and university partners pioneer advanced theoretical research and development in areas including tribology, condition monitoring, asset management and bearing life theory. Our ongoing commitment to research and development helps us keep our customers at the forefront of their industries.

Meeting the toughest challenges

Our network of knowledge and experience, along with our understanding of how our core technologies can be combined, helps us create innovative solutions that meet the toughest of challenges. We work closely with our customers throughout the asset life cycle, helping them to profitably and responsibly grow their businesses.

Working for a sustainable future

Since 2005, SKF has worked to reduce the negative environmental impact from our operations and those of our suppliers. Our continuing technology development resulted in the introduction of the SKF BeyondZero portfolio of products and services which improve efficiency and reduce energy losses, as well as enable new technologies harnessing wind, solar and ocean power. This combined approach helps reduce the environmental impact both in our operations and our customers' operations.

SKF Solution Factory makes SKF knowledge and manufacturing expertise available locally to provide unique solutions and services to our customers.

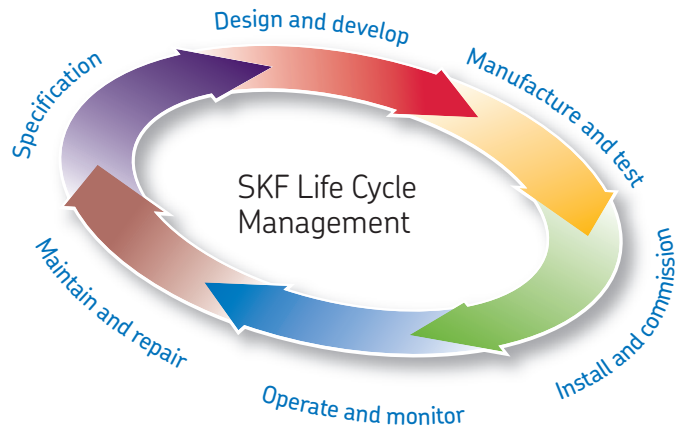


Working with SKF IT and logistics systems and application experts, SKF Authorized Distributors deliver a valuable mix of product and application knowledge to customers worldwide.



Our knowledge – your success

SKF Life Cycle Management is how we combine our technology platforms and advanced services, and apply them at each stage of the asset life cycle, to help our customers to be more successful, sustainable and profitable.



Working closely with you

Our objective is to help our customers improve productivity, minimize maintenance, achieve higher energy and resource efficiency, and optimize designs for long service life and reliability.



Bearings

SKF is the world leader in the design, development and manufacture of high performance rolling bearings, plain bearings, bearing units and housings.

Innovative solutions

Whether the application is linear or rotary or a combination, SKF engineers can work with you at each stage of the asset life cycle to improve machine performance by looking at the entire application. This approach doesn't just focus on individual components like bearings or seals. It looks at the whole application to see how each component interacts with each other.



Machinery maintenance

Condition monitoring technologies and maintenance services from SKF can help minimize unplanned downtime, improve operational efficiency and reduce maintenance costs.

Design optimization and verification

SKF can work with you to optimize current or new designs with proprietary 3-D modelling software that can also be used as a virtual test rig to confirm the integrity of the design.



Sealing solutions

SKF offers standard seals and custom engineered sealing solutions to increase uptime, improve machine reliability, reduce friction and power losses, and extend lubricant life.



Mechatronics

SKF fly-by-wire systems for aircraft and drive-by-wire systems for off-road, agricultural and forklift applications replace heavy, grease or oil consuming mechanical and hydraulic systems.



Lubrication solutions

From specialized lubricants to state-of-the-art lubrication systems and lubrication management services, lubrication solutions from SKF can help to reduce lubrication related downtime and lubricant consumption.



Actuation and motion control

With a wide assortment of products – from actuators and ball screws to profile rail guides – SKF can work with you to solve your most pressing linear system challenges.



SKF Food Line Y-bearing units

Offer the potential for a relubrication-free solution for most wet, abrasive and contaminating environments¹⁾

From the acidity of citrus products to the abrasiveness of bakery goods, food and beverage equipment is adversely impacted by both the characteristics of the products being made, and the cleaning requirements of the manufacturing environment.

To prevent bacterial growth, machinery is exposed to frequent high-pressure wash-downs with caustic antibacterial cleansing agents, adding water and cleaning solutions to the list of contaminants that bearings are exposed to.

Where sealing systems do not adequately seal, washdowns contaminate the bearing

cavity and wash out the lubricant. To prevent corrosion and early failure, frequent relubrication is then necessary to purge the bearing of contamination and re-establish adequate lubrication.

Environmental concerns related to lubricant and contaminants entering the waste stream then need to be addressed, adding to the total cost of operations.

¹⁾ Under normal operating conditions, SKF Food Line Y-bearing units do not need relubrication as the grease life typically exceeds the SKF rating life of the bearing. This, however, needs to be confirmed for each particular application. See page 12 for grease life for SKF Food Line Y-bearing units.





SKF offers a solution, with a complete assortment of SKF Food Line Y-bearing units

Innovative SKF Food Line Y-bearing unit designs help to eliminate the washdown related problems of corrosion, premature bearing failure and environmental impact.

Benefits include

- Increased productivity by eliminating relubrication downtime
- Improved foreign body prevention – no dripping grease or purge contamination
- Reduced grease use and environmental impact
- Elimination of the risk that a missed relubrication point might cause a subsequent bearing failure
- Corrosion-resistant under virtually all washdown conditions
- Improved bacteria elimination due to solid or filled base design and smooth surface finish
- Wide dimensional range (plus availability in metric and inch sizes)

A choice of bearing unit designs

SKF Food Line Y-bearing units are available in a range of component designs. This enables the configuration of the bearing unit best suited for various applications and environments.

The new SKF Food Line Y-bearing unit range includes:

- Corrosion-resistant insert bearings
- Food-grade grease
- High-performance seals
- Effective end covers
- Two different housing materials:
 - Composite, strong, lightweight and chemically resistant with stainless steel lined mounting bolt holes and either a “moulded in” steel coil reinforced bore¹⁾ or a massive design²⁾
 - Cast stainless steel for heavy-duty applications

¹⁾ Applies to plumber block housings SYWK..Y, four-bolt flanged housings FYWK..Y and two bolt flanged housings FYTWK..Y

²⁾ Applies to housings SYWK..L, FYWK..L, FYTWK..L, SYFW..L, FYAWK..L, TUWK..L



High-performance insert bearings

Strong and corrosion-resistant

At the heart of the SKF Food Line Y-bearing unit is a high-quality, corrosion-resistant insert bearing, with bearing rings and balls available in two executions:

- Stainless steel AISI grade 420, rings and balls
- Zinc coated high grade carbon chromium rings and high grade carbon chromium balls

Both are equipped with the same high performance sealing system (→ **fig. 1, page 10**).

Designed for extended service life

SKF Food Line Y-bearing units are designed to accommodate initial misalignment. The unit consists of a single row deep groove ball bearing with a sphered (convex) outside surface and a bearing housing, with a correspondingly sphered but concave bore. The design minimizes internal loads on the bearing that would exist if initial misalignment went uncorrected.

The bearing inner ring is extended on both sides and is locked on the shaft with two stainless steel grub screws that are positioned at 120°, minimizing inner ring distortion while maintaining good gripping strength.

Extended service life is achieved as a result of the effective multiple seal system made of stainless steel and FDA approved synthetic rubber and filled with an NSF registered food-grade grease.



Innovative and effective sealing system

Highly effective at resisting contamination and retaining lubricant

All SKF Food Line Y-bearing units incorporate SKF's unique "-2RF" multiple seals, that are highly effective at keeping detergent, water and other contaminants out of the bearing cavity and keeping lubricant inside.

Multiple barrier protection provides long bearing service life

The SKF multiple seal arrangement is proven to be highly effective during washdowns. It consists of a combination of a radial and an axial lip seal each protected by narrow gap seals (→ **fig. 1**).

- 1 A stainless steel flinger, press fitted to the bearing inner ring, adds mechanical and centrifugal protection against solid and liquid contaminants entering the bearing cavity. It forms a narrow gap seal to the bearing outer ring and has an FDA approved synthetic rubber seal lip vulcanized to it, that acts axially against the stainless steel insert that carries the radial seal lip.
- 2 The space between the axial and radial lip seals is filled with SKF GFJ food-grade grease to provide additional protection.
- 3 Lubricant retention and a further barrier to contamination is provided by the inner radial seal. A stainless steel insert, securely located in a groove in the bearing outer ring side face, forms a narrow gap seal to the bearing inner ring and carries an FDA approved synthetic rubber lip seal vulcanized to it, acting radially against the bearing inner ring.

Food compatible materials

- Both the radial and axial lip seals are made of an FDA approved rubber compound.
- The space between the radial and axial lip seals and the flinger is filled with SKF food-grade NSF registered grease.

Chemical resistance

SKF Food Line Y-bearing units resist a wide range of chemicals and other treatments used during the washdown process (→ **table 1**).

Fig. 1

SKF Food Line Y-bearing unit sealing system

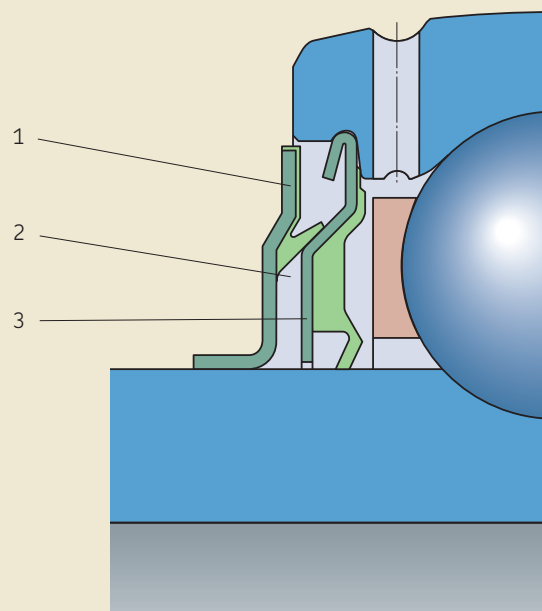


Table 1

SKF Food Line Y-bearing units, chemical resistance

Chemical	Example	Concentration	Temperature	Time
–	–	–	°C	min
Chlorinated alkalis	Mild solution of caustic soda	max 0,5%	55–70	5–22
Acidified rinse	Post rinse, fresh water, acid solution	pH 5,5–6,0	RT	–
Strong alkalis	Caustic soda	0,5–5%	up to 90	45–90
Strong acids	Phosphoric acid, nitric acid	pH ~2	75–90	20–30
Sanitizer	Sodium hypochlorite	200 ppm active chlorine	cold	2-3 minutes
Hot water	–	–	80–90	–
Steam	–	–	<130	–

End covers

Secure fit, operator safety

If needed to comply with health and safety regulations, SKF Food Line Y-bearing units can be supplied with effective polypropylene end covers. Two different cover designs are available:

- ECW (→ **fig. 2**) for SKF Food Line Y-bearing units with stainless steel housings and those with composite housings, identified by suffix Y.
- ECL (→ **fig. 3**) for SKF Food Line Y-bearing units with composite housings, identified by the suffix L in the designations.

The appropriate end cover for each SKF Food Line Y-bearing unit is listed in the product tables. Note that the end covers are not included with the Y-bearing units and must be ordered separately.

The ECW cover has an optional drainage hole that can be easily opened by the user as required.

Both ECW and ECL end covers are tested to withstand 100 bar pressure washdowns without dislocation.

High-quality, NSF H1 registered grease

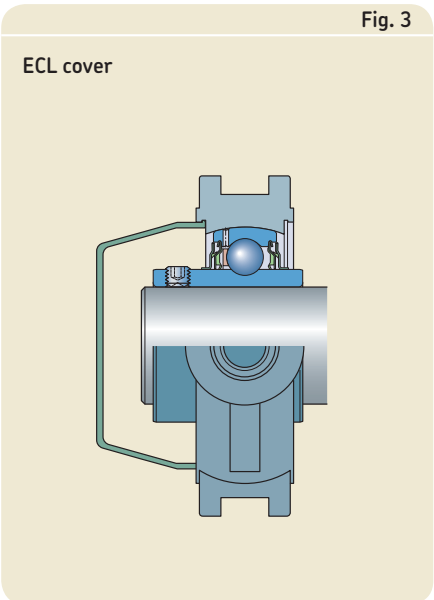
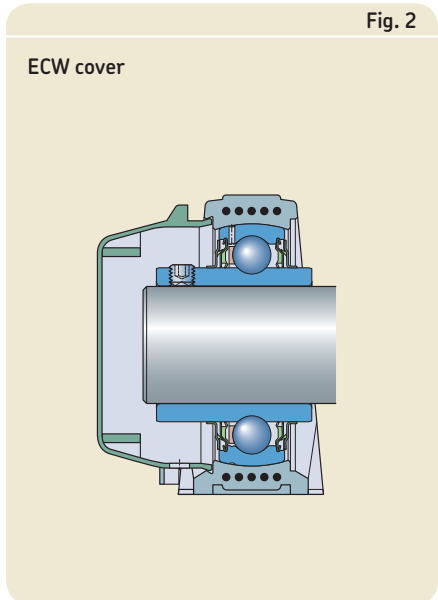
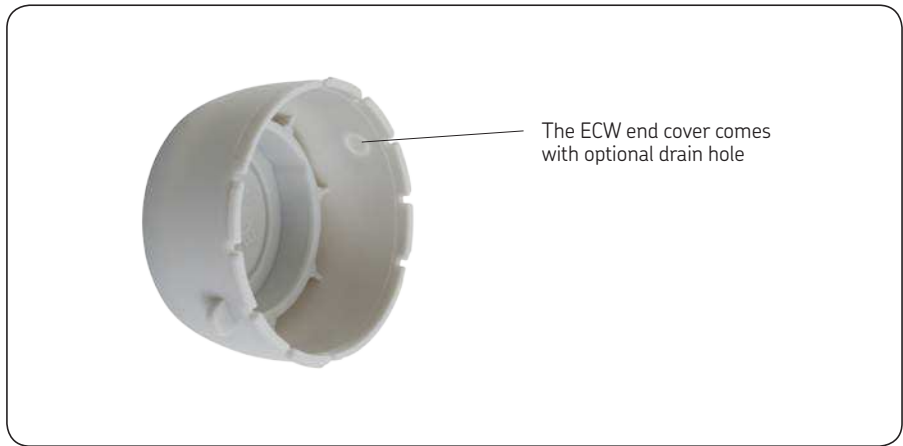
Each SKF Food Line Y-bearing unit is pre-lubricated with SKF GFJ food-grade grease.

This high quality grease is registered by NSF as a category H1 (lubricant acceptable with incidental food contact for use in and around food processing areas). The NSF registration confirms it fulfills the requirements listed in the US Food and Drug Administration's guidelines under 21 CFR section 178.3570. The technical specifications of this grease are listed in **table 2, page 12**.

Extends bearing service life

SKF GFJ food-grade grease is a highly effective bearing lubricant that offers advantages that help extend service life, including:

- Excellent corrosion protection
- High aging resistance



Grease life for SKF Food Line Y-bearing units

Under normal operating conditions, SKF Food Line Y-bearing units do not need relubrication as the grease life typically exceeds the SKF rating life of the bearing. The grease life for SKF Food Line Y-bearing units can be estimated from **Diagram 1** where the grease life is presented as L₁₀, i.e. the time period at the end of which 90% of the bearings are still reliably lubricated.

The estimated grease life, depending on the operating temperature and the speed factor, is valid under the following operating conditions:

- Horizontal shaft
- Very light to moderate loads ($P \leq 0,05 C$)
- Stationary machine
- Low vibration levels

If operating conditions differ, the estimated grease life obtained from the diagram must be adjusted:

- For vertical shafts, use 50% of the value from the diagram
- For heavier loads ($P > 0,05 C$), use the reduction factor listed in **table 4, page 13**

Vibration can have a negative influence on grease life. The extent cannot be quantified, and the influence increases with increasing operating temperature. For additional information, refer to the section *Lubrication* of the SKF catalogue *Rolling bearings* (→ **page 239**), or contact the SKF application engineering service.

Relubrication

In the unusual event that estimated grease life is limiting, SKF Food Line Y-bearing units can be relubricated. Relubrication intervals can be estimated following the method explained in the section *Lubrication* of the SKF catalogue *Rolling bearings* (→ **page 239**).

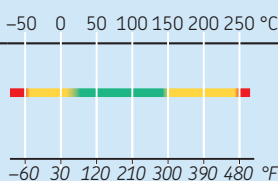
When relubricating, the shaft should be rotating and grease should be pumped in slowly until fresh grease starts to escape from the seal(s). Excessive pressure from pumping too quickly can damage the seals.

To relubricate the SKF Food Line Y-bearing unit, it is recommended to use the food-grade grease SKF LGFP 2.

As standard, composite housings for SKF Food Line Y-bearing units do not have a relubrication feature. If relubrication is required, then housings or units with relubrication feature (combination of designation suffixes N and /VZ1A2) should be specified (→ **page 21**).

Table 2

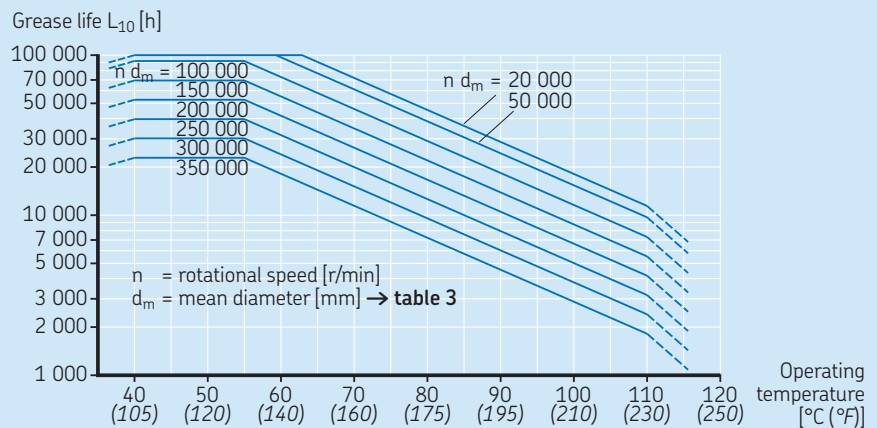
Technical specifications of SKF greases for Food Line Y-bearing units

Grease	Temperature range ¹⁾	Thickener	Base oil type	NLGI consistency class	Base oil viscosity	
					[mm ² /s] at 40 °C (105 °F)	at 100 °C (210 °F)
GFJ		Aluminium-complex soap	Synthetic hydrocarbon	2	100	14

¹⁾ Refer to SKF catalogue *Rolling bearings* – the SKF traffic life concept → **page 244**

Diagram 1

Estimated grease life for Food Line Y-bearing units where load $P = 0,05 C$

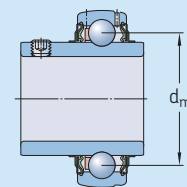


As standard, stainless steel housings for SKF Food Line Y-bearing units have a relubrication feature, plugged with a stainless steel set screw. If relubrication is required, the set screw can be removed and replaced by a suitable grease nipple with 1/4-28 UNF thread.

Irrespective of housing material, if relubrication is to be employed, make sure a relubrication hole in the outside diameter of the insert bearing aligns with the drilling and groove in the housing bore.

Table 3

Bearing mean diameter d_m



Bearing size ¹⁾	Bearing mean diameter d_m
–	mm
04	33,5
05	39
06	46
07	53,5
08	60
10	70

¹⁾ For example: bearing size 06 includes all bearings based on a Y 206 bearing, such as YAR 206-2RF/HV, YAR 206-103-2RF/HV, YAR 206-104-2RF/HV

Table 4

Reduction factor for estimated grease life, depending on the load

Load P	Reduction factor
$\leq 0,05 C$ 0,1 C	1 0,7
0,125 C 0,25 C	0,5 0,2

SKF Food Line Y-bearing units not requiring relubrication

No relubrication means reduced environmental impact

Less waste

The cycle of washdowns and lubricant washout in food and beverage manufacturing creates a never-ending cycle of waste.

It is common to relubricate bearings after each washdown – daily, weekly or at other intervals based on production specifics. During this process, excess grease is discharged past the bearing seals (purged). At the next washdown cycle, the grease is washed away and into the plant's waste water.

Because they can withstand frequent washdowns without relubrication, SKF Food Line Y-bearing units can eliminate the need for relubrication, grease disposal and concern about environmental impact (→ fig. 4).

Reduced grease consumption

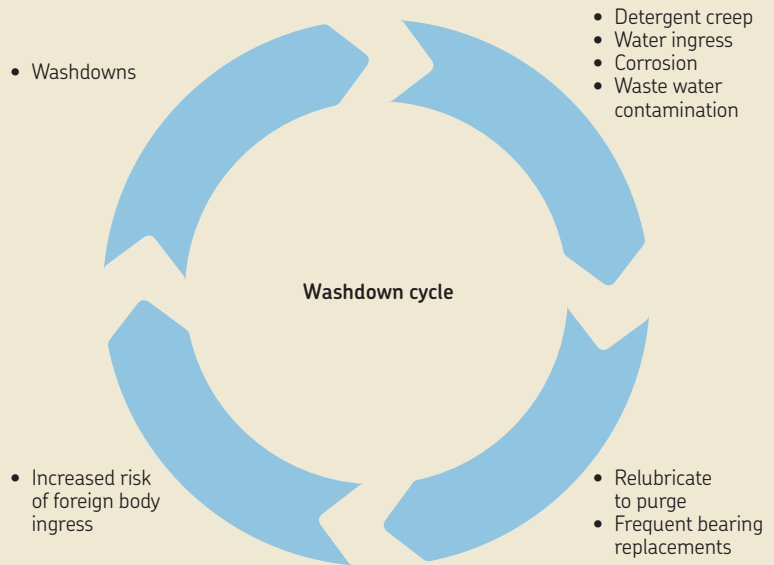
As an example, relubricating 100 bearing positions requires about (→ fig. 5):

- 15 g (0.53 oz.)** of lubricant per bearing purge, which equals
- 1,5 kg (3.3 lbs.)** per weekly maintenance cycle, or a total of
- 78 kg (172 lbs.)** of lubricant per year

With the SKF Documented Solution Program, your SKF representative can show you how much you can reduce cost with SKF Food Line Y-bearing units, based on running data from your own plant.

Fig. 4

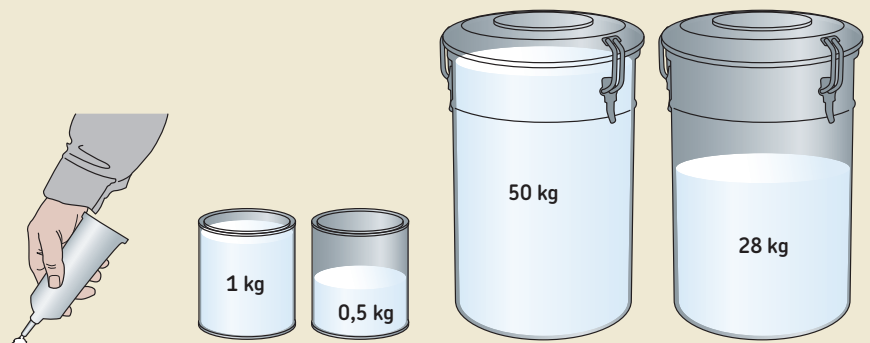
The traditional cycle of washdown and relubrication presents risks to both bearing service life and the environment



SKF Food Line Y-bearing units support Foreign Body Prevention Programs (AIB Gold Standard, GMP, HACCP)

Fig. 5

The volumes of grease used to relubricate 100 bearing positions for one year can be significant



15 g (0.53 oz.)

Application of grease to 1 bearing

1,5 kg (3.3 lbs.)

Application of grease to 100 bearings

78 kg (172 lbs.)

Application of grease to 100 bearings weekly for one year

Housing materials

Composite housings

Strong, lightweight, chemical resistant

Capable of resisting citric acids, cooking fats and most food and beverage processing chemicals, SKF Food Line composite housings are constructed of a thermoplastic composite material that is significantly lighter than cast iron housings.

Other performance advantages include:

- **Fracture strength** – Housings either incorporate steel coil reinforcement¹⁾ or are of massive design²⁾. Radial breaking load is far greater than the static load rating of the bearing. The SKF Food Line Y-bearing unit is estimated to have the highest fracture strength of any composite unit on the market.
- **Flush mounting** – A polyamide filled housing base or a solid base allow the unit to seat flush with its mounting surface. This surface-to-surface mounting eliminates gaps where contaminants could potentially collect.
- **Stability** – Corrosion resistant, stainless steel attachment bolt hole liners provide added strength and stability.



Housing designs

SKF Food Line Y-bearing unit composite housings are available in the following designs:

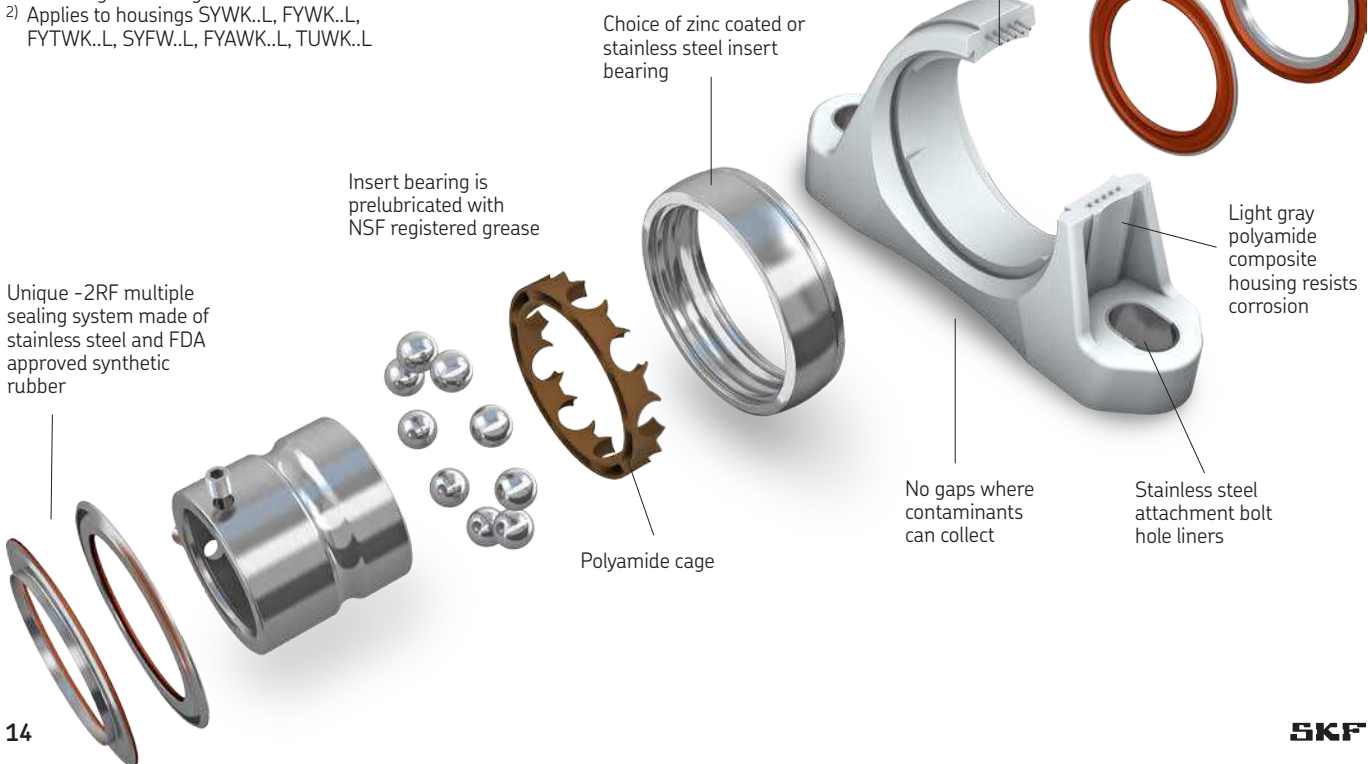
- Plummer block
- Two- and four-bolt flange (oval or square)
- Short base
- Three-bolt bracket flange
- Take-up

The SKF Food Line Y-bearing units with composite housings are offered with both stainless steel and zinc coated insert bearings. Please contact your local sales office for availability.



Steel coils embedded in SKF composite housings¹⁾ provide additional fracture strength

1) Applies to plummer block housings SYWK..Y, four-bolt flanged housings FYTWK..Y and two bolt flanged housings FYTWK..Y
 2) Applies to housings SYWK..L, FYWK..L, FYTWK..L, SYFW..L, FYAWK..L, TUWK..L



Stainless steel housings

Extreme strength and toughness

For extremely challenging food and beverage applications requiring maximum durability and chemical resistance, housings cast from AISI 300 series stainless steel may be the best answer.

Strength – SKF Food Line Y-bearing stainless steel housings are designed for applications where very heavy loads or shock loads are possible.

Safety – In applications where housing failure could result in injury, the safety factor inherent in cast stainless steel is an advantage.

Chemical resistance – Compared to composite housings, cast stainless steel offers a higher level of resistance to aggressive washdown chemicals. Stainless steel housings are not affected by strong concentrations of chlorine, hydrogen peroxide and many other chemicals.

Surface finish – Machined flat bases, the absence of any unnecessary crevices or pockets on the external surfaces and a smooth finish mean that SKF Food Line Y-bearing stainless steel housings are easy to clean with no recesses for debris and bacteria to accumulate or become trapped.



Housing designs

SKF Food Line Y-bearing unit stainless steel housings are available in the following designs:

- Plummer block
- Two- and four-bolt flange (oval or square)
- Short base

The SKF Food Line Y-bearing units with stainless steel housings are offered with stainless steel insert bearings. Please contact your local sales office for availability.

Mounting instructions

General

To provide proper bearing performance and prevent premature failure, skill and cleanliness are necessary when mounting SKF Food Line Y-bearings or Y-bearing units. As precision components, they should be handled carefully when mounting. It is also important to choose the appropriate method of mounting and to use the correct tools. The method used for mounting a SKF Food Line Y-bearing unit depends on the:

- Overall machine design
- Y-bearing housing design
- Method used to attach the unit to the shaft

NOTE: Failure to carefully follow applicable mounting instructions can result in premature bearing failure or improper performance. For further information, contact the SKF application engineering service. Detailed mounting instructions can be found on the following pages. SKF Food Line Y-bearings, Y-bearing housings or Y-bearing units should not be removed from their original packaging until immediately before they are mounted.

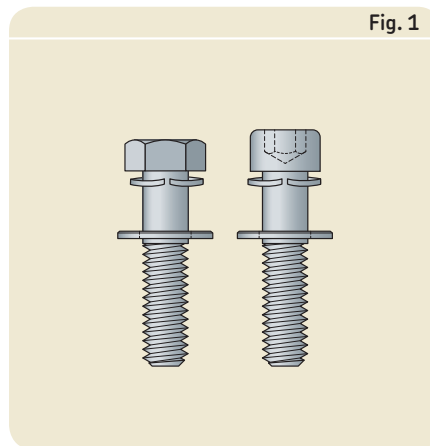
Tools

To mount or dismount SKF Food Line Y-bearing units, the following tools are required:

- A hexagonal key (hex wrench) to tighten or loosen grub (set) screws
- A spanner or hexagonal key to tighten or loosen the fasteners

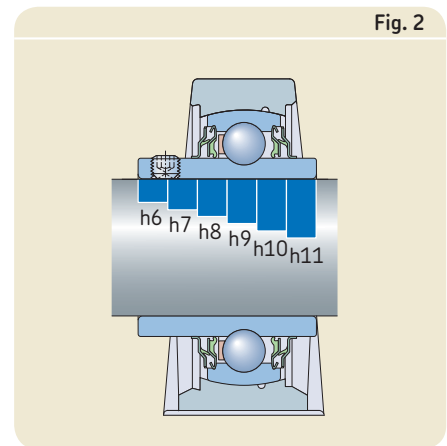
Attaching SKF Food Line Y-bearing units to the support base

To reduce vibration and enable heat to dissipate from the unit, the housing must be firmly attached to the support base. To attach SKF Food Line Y-bearing units to the support surface, SKF recommends using 8.8 class bolts or studs and a washer to ISO 7089:2000 or 7090:2000 and a spring washer. Hexagonal head bolts in accordance with ISO 4014:1999 are appropriate. Alternatively, hexagonal socket head cap screws that comply with ISO 4762:1988 can be used (→ **fig. 1**).



Shaft tolerances

The recommended fits for SKF Food Line Y-bearings are listed in **table 1**. For moderate loads ($0,035 C < P \leq 0,05 C$), the shaft seats should be machined to an h7 tolerance. For light loads and low speeds, an h8 shaft tolerance is sufficient, and for very simple applications, h9 to h11 shaft tolerances may be used. **Fig. 2** illustrates the relative position of the upper and lower limits of the most commonly used ISO shaft tolerance classes. The values of these ISO tolerances are listed in **table 2** on **page 17**.



Operating conditions	Tolerance class ¹⁾
$P > 0,05 C$ and/or high speeds	h6
$0,035 C < P \leq 0,05 C$ and/or low speeds	h7
$0,02 C < P \leq 0,035 C$ and/or low speeds	h8
Simple bearing arrangement or $P \leq 0,02 C$	h9–h11

¹⁾ All ISO tolerance classes are valid with the envelope requirements (such as h7(E)) in accordance with ISO 14405-1.

Permissible speed

SKF Food Line Y-bearings and SKF Food Line Y-bearing units should not operate at speeds above the limiting speeds listed in the product tables. Permissible speed is also influenced by the shaft diameter tolerance. When using these bearings on shafts with wider tolerances than h6, compare the speed values listed in the product tables

with those listed in **table 3**. The lower value is the permissible speed.

Assembling units

In cases where SKF Food Line Y-bearings and Y-bearing housings are not supplied as a unit, the first step is to assemble the bearing into the housing. To do this, insert the

bearing into the filling slot in the housing bore (→ **fig. 3**) and with a round piece of wood or pipe, swivel the bearing into position. For composite housings (suffix Y), the locking device should face in the same direction as the filling slots (→ **fig. 4**). For stainless steel housings and composite housings (suffix L), the locking device should face in the opposite direction to the filling slots. In any event, make sure that no relubrication hole or groove in the bearing outside diameter coincides with either of the filling slots in the housing, otherwise grease leakage may occur or contamination might enter the bearing (→ **fig. 5**).

If you need to assemble a unit type that is to be relubricated, make sure that the relubrication features in the outer ring of the bearing insert (hole or relubrication groove and hole) coincide with the relubrication facility (drilling and groove) in the housing bore (→ **fig. 5**).

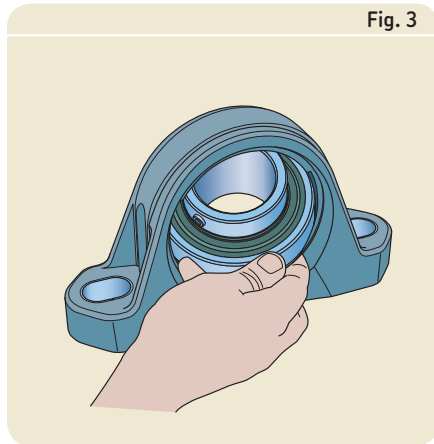


Fig. 3

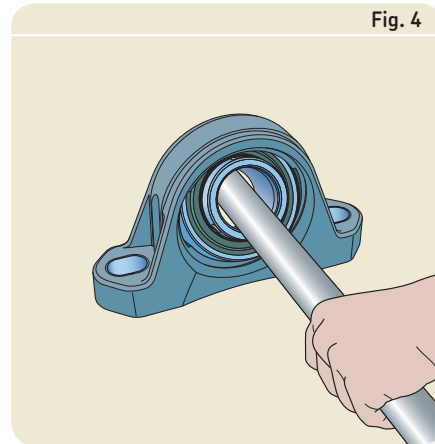


Fig. 4

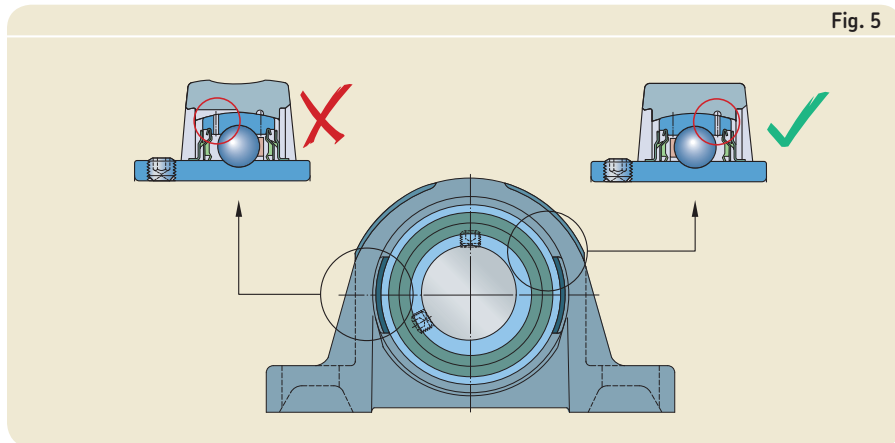


Fig. 5

Table 2

ISO shaft deviations for SKF Food Line Y-bearings

Shaft diameter	Shaft diameter deviations													
	h6 [Ⓔ]		h7 [Ⓔ]		h8 [Ⓔ]		h9 [Ⓔ]		h10 [Ⓔ]		h11 [Ⓔ]			
	Deviation	high	low	high	low	high	low	high	low	high	low	high	low	
d	over	incl.												
mm			μm											
10	18		0	-11	0	-18	0	-27	0	-43	0	-70	0	-110
18	30		0	-13	0	-21	0	-33	0	-52	0	-84	0	-130
30	50		0	-16	0	-25	0	-39	0	-62	0	-100	0	-160
50	80		0	-19	0	-30	0	-46	0	-74	0	-120	0	-190
80	120		0	-22	0	-35	0	-54	0	-87	0	-140	0	-220

Table 3

Permissible speeds for SKF Food Line Y-bearings

Bearing size ¹⁾	Permissible speeds for shafts machined to tolerance class			
	h7 [Ⓔ]	h8 [Ⓔ]	h9 [Ⓔ]	h11 [Ⓔ]
d				
–	r/min			
04	5 300	3 800	1 300	850
05	4 500	3 200	1 000	700
06	4 000	2 800	900	630
07	3 400	2 200	750	530
08	3 000	1 900	670	480
09	2 600	1 600	560	400

¹⁾ For example, bearing size 07 includes all bearings based on a Y207 bearings such as YAR 207-2RF/HV, YAR 207-104-2RF/HV, YAR 207-106-2RF/HV, YAR 207-107-2RF/HV.

Mounting instructions for SKF Food Line Y-bearing units

- 1 Remove any burrs on the shaft with emery cloth or a fine file, wipe clean with a cloth. Depending on loads and speeds, define the appropriate shaft tolerance from **tables 1 and 2, pages 16 and 17** respectively, and check the shaft diameter.
- 2 Mount any components that are on the shaft between the two SKF Food Line Y-bearing units.
- 3 Make sure the housing base and mating surfaces are clean and free of any debris or burrs. Ensure the supporting surface is flat. The flatness should be within the IT7 tolerance grade and the roughness should be $R_a \leq 12,5 \mu\text{m}$. If the housing requires shims or adjustment, the shims **must** extend the full length and width of the base.
- 4 Slide the SKF Food Line Y-bearing unit onto the shaft with grub screws facing outwards. For pillow block units, fit the attachment bolts or nuts but do not tighten them. For flanged units, fasten them securely to the machine wall.
- 5 Mount the other SKF Food Line Y-bearing unit on the other end of the shaft.
- 6 Carefully align both SKF Food Line Y-bearing units using the shaft. For pillow block housings, fully tighten the attachment bolts or nuts for all units. For flanged housings, securely fasten the second unit to the machine wall.

- 7 Align the shaft in the bearing arrangement axially and – if possible – turn it a few times.
- 8 Tighten the grub screws in the inner rings of both units to the tightening torque indicated in **table 4**.
- 9 If applicable, snap the end cover(s) into place.

End covers

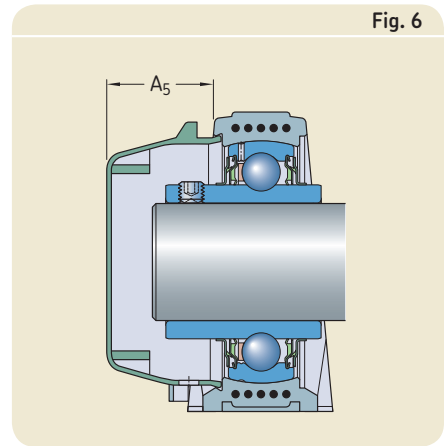
The product tables show the appropriate end cover for each bearing unit and the distance (A5) that the end cover protrudes from the housing side (→ **fig 6**). Prior to starting the mounting procedure, make sure to use the correct end cover and check if the A5 dimension is suitable for your application arrangement.

NOTE: the end cover must be ordered separately.

! WARNING!

Rotating parts hazard.

To avoid serious injury, do not mount or dismount end cover unless shaft has stopped rotating and the machine has been locked out or the shaft has been secured so it can't rotate.



Mounting instructions for end covers

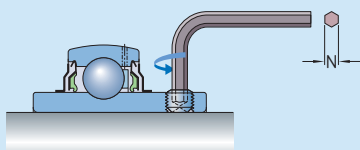
- 1 Remove the end cover from its package.
- 2 Identify the end cover groove in the housing and make sure it is clean and free of any debris.
- 3 Hold the cover at an angle against the housing and insert the cover tabs into the housing groove. Note that in composite housings with suffix Y in the designation, the end cover groove does not cover the whole circumference, which is interrupted in the insert slot area.
- 4 Push the cover towards the housing until all the tabs snap into the housing groove. Where needed, help the tabs into position by bending the cover edge slightly as required.
- 5 Make sure the cover is securely in place. If needed, remove the end cap and start the process again from **step 3**.

Dismounting instructions for end covers

- 1 Insert a screwdriver or a pointed tool into the space between the Y-bearing housing and the dismounting protrusion located in the cover side.
- 2 Unlock the cover by levering it until the first end cover tabs come out from the housing groove. Hold the cover to make sure that it does not fall down, and complete the unlocking process by hand.

Table 4

Hexagonal keys to tighten grub screws in inner rings – sizes and tightening torque



Bearing size¹⁾ Bearing or unit with metric bore size¹⁾

Bearing size ¹⁾	set screw size	Hexagonal key size N	Tightening torque
–	–	mm	Nm
04	M6×0,75	3	4
05	M6×0,75	3	4
06	M6×0,75	3	4
07	M6×0,75	3	4
08	M8×1	4	6,5
10	M10×1	5	16,5

Bearing or unit with inch bore

set screw size	Hexagonal key size N	Tightening torque
–	inch	Nm
1/4-28 UNF	1/8	4
1/4-28 UNF	1/8	4
1/4-28 UNF	1/8	4
5/16-24 UNF	5/32	6,5
5/16-24 UNF	5/32	6,5
3/8-24 UNF	3/16	16,5

¹⁾ For example, bearing size 07 includes all bearings based on a Y207 bearings such as YAR 207-2RF/HV, YAR 207-104-2RF/HV, YAR 207-106-2RF/HV, YAR 207-107-2RF/HV.

Designation systems

The complete designation for a SKF Food Line Y-bearing or Y-bearing unit consists of:

- Prefixes, identifying the Y-bearing or Y-bearing unit series
- Figures, identifying the size
- Suffixes, identifying designs and variants

More details about the basic designations and the supplementary designations can be obtained from the designation charts:

- SKF Food Line Y-bearing designation system (→ **table 1, page 20**)
- SKF Food Line Y-bearing unit designation system (→ **table 2, page 21**)



Designation system for SKF Food Line Y-bearings

Examples	YAR 204-2RF/HV	YAR	2	04	-2RF/HV
	YAR 205-100-2RFGR/HV	YAR	2	05-100	-2RFGR/HV
	YAR 204-2RFG/VE495	YAR	2	04	-2RFG/VE495
	YAR 210-115-2RF/VE495	YAR	2	10-115	-2RF/VE495

Bearing series

YAR Inner ring extended on both sides, with grub screws

Dimensions Series

2 Bearing to ISO 9628:2006

Bore diameter

Bearing for metric shafts

04 20 mm bore diameter

to

10 50 mm bore diameter

Bearings for inch shafts

Three figure combination that follows the designation of the basic metric bearing and is separated from this by hyphen. The first figure is the number of whole inches and the second and third figures are the number of sixteenths of an inch e.g. 204-012

04-012 $\frac{3}{4}$ in. = 19,050 mm bore diameter

to

10-115 $1 \frac{15}{16}$ in. = 49,213 mm bore diameter

Suffixes

Seals

-2RF Multiple seal on both sides of bearing

Material

HV Stainless steel rings and balls, seals and flingers with stainless steel insert and FDA approved synthetic rubber and food-grade grease

VE495 Zinc coated carbon steel inner and outer rings, seals and flingers with stainless steel insert and FDA approved synthetic rubber and food-grade grease

Other features

G Lubrication groove and one hole in the outside diameter of the outer ring, located on the side opposite the locking device (zinc coated bearings only, have an additional lubrication hole in the outside diameter of the outer ring, located on the same side as the locking device).

GR Lubrication groove and one hole in the outside diameter of the outer ring, located on the same side as the locking device (stainless steel bearings only)

Designation system for SKF Food Line Y-housings and Y-bearing units

Examples SYWK 30 YTH
 FYTWK 25 NYTH/VZ1A2
 FYAWK 1.1/4 LTA
 SYFWR 40 YTHR
 TUWK 505 L

SY	W	K	30	Y	TH
FYT	W	K	25	NY	TH /VZ1A2
FYA	W	K	1.1/4	L	TA
SYF	W	R	40	Y	THR
TU	W	K	505	L	

Identification of housing shape

SY Plummer block housing
SYF Short base
FY Square flange (4-bolt)
FYT Oval flanged (2-bolt)
FYA Three bolt flanged
TU Take up

Identification of SKF Food Line

W SKF Food Line Y-housing and Y-bearing unit

Identification of housing material

K Composite
R Stainless steel

Identification of size

Bearing units for metric shafts: in millimeters uncoded

20 20 mm bore diameter

to

50 50 mm bore diameter

Bearing units for inch shafts: in inches uncoded

3/4 3/4 in. = 19,050 mm bore diameter

to

1 15/16 1 15/16 in. = 49,213 mm bore diameter

Housings for both imetric and inch shafts

504 For Y-bearing sizes 204

to

510 for Y-bearing sizes 210

Additional housing features

A Units of the next smaller size than normal (inch units only)

L Suitable for ECL cover

N (in combination with suffix VZ1A2 at the end of designation) SKF Food Line Y-bearing unit with composite housing with relubrication feature

Y Suitable for ECW cover

Z SYF short base units with inch thread

Identification of inserted SKF Food Line Y-bearing

TA SKF Food Line Y-bearing YAR series with grub screw locking, zinc coated carbon steel rings, seals and flingers with stainless steel insert and FDA approved synthetic rubber and food-grade grease, two lubrication holes in the outside diameter of the outer ring, one on each side, positioned 120° apart

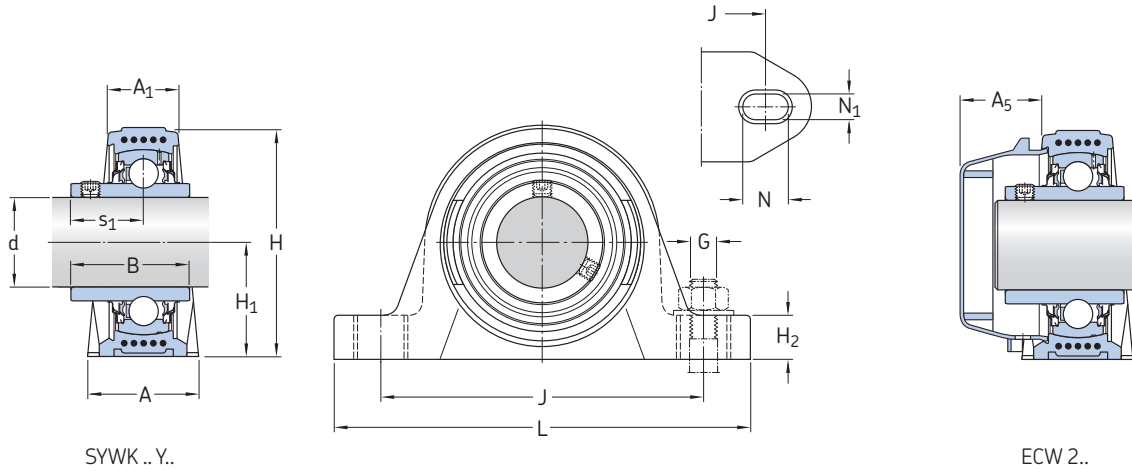
TAG SKF Food Line Y-bearing, YAR series with grub screw locking, zinc coated carbon steel rings, seals and flingers with stainless steel insert and FDA approved synthetic rubber and food-grade grease, lubrication groove and one hole in the outside diameter of the outer ring, located on the side opposite the locking device and one lubrication hole located on the same side as the locking device

TH SKF Food Line Y-bearing, YAR series with grub screw locking, stainless steel rings and balls, seals and flingers with stainless steel insert and FDA approved synthetic rubber and food-grade grease, lubrication groove and one hole in the outside diameter of the outer ring, located on the side opposite the locking device

THR SKF Food Line Y-bearing, YAR series with grub screw locking, stainless steel rings and balls, seals and flingers with stainless steel insert and FDA approved synthetic rubber and food-grade grease, lubrication groove and one hole in the outside diameter of the outer ring, located on the same side as the locking device

Composite SKF Food Line Y-bearing plummer block units stainless steel bearings, metric shafts

d 20 – 50 mm



Dimensions

d	A	A ₁	B	H	H ₁	H ₂	J	L	N	N ₁	G	s ₁	Basic load ratings		Fatigue load limit	Designation
													dynamic	static		
mm													C	C ₀	P _u	Bearing unit
20	32	21	31	64	33,3	16	96	126	17,6	12,1	10	18,3	10,8	6,55	0,28	SYWK 20 YTH
25	32	22	34,1	70,5	36,5	16	105	134	17,6	12,1	10	19,8	11,9	7,8	0,335	SYWK 25 YTH
30	40	25	38,1	82	42,9	19	121	159	21,4	14,4	12	22,2	16,3	11,2	0,475	SYWK 30 YTH
35	45	27	42,9	93	47,6	19	126	164	21,4	14,4	12	25,4	21,6	15,3	0,655	SYWK 35 YTH
40	48	30	49,2	99	49,2	19	136	176	21,4	14,4	12	30,2	26	19	0,8	SYWK 40 YTH
50	60	37	51,6	114	57,2	23	159	206	20	17	16	32,6	29,6	23,2	0,98	SYWK 50 LTHR

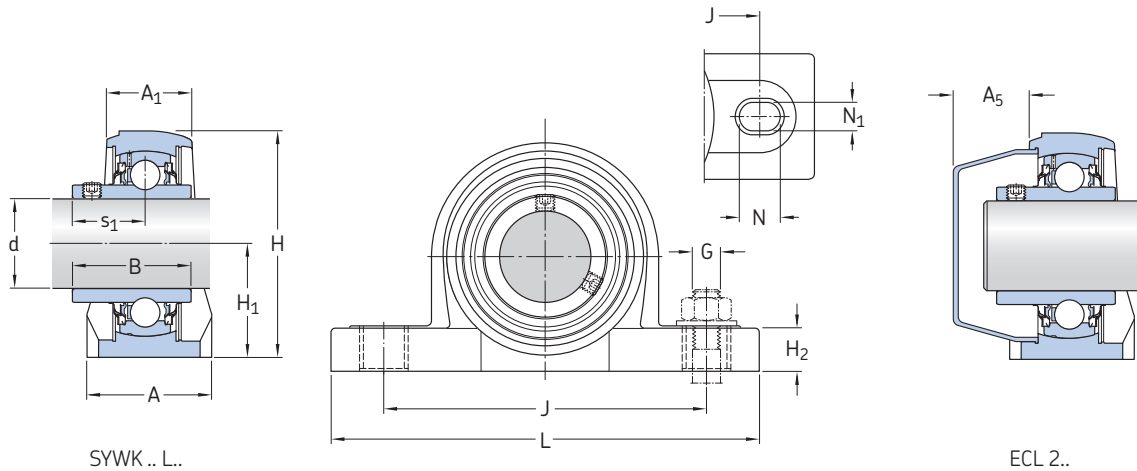
Composite SKF Food Line Y-bearing plummer block units zinc coated bearings, metric shafts

d 20 – 50 mm

Dimensions

d	A	A ₁	B	H	H ₁	H ₂	J	L	N	N ₁	G	s ₁	Basic load ratings		Fatigue load limit	Designation
													dynamic	static		
mm													C	C ₀	P _u	Bearing unit
20	32	21	31	64	33,3	16	96	126	17,6	12,1	10	18,3	12,7	6,55	0,28	SYWK 20 YTA
25	32	22	34,1	70,5	36,5	16	105	134	17,6	12,1	10	19,8	14	7,8	0,335	SYWK 25 YTA
30	40	25	38,1	82	42,9	19	121	159	21,4	14,4	12	22,2	19,5	11,2	0,475	SYWK 30 YTA
35	45	27	42,9	93	47,6	19	126	164	21,4	14,4	12	25,4	25,5	15,3	0,655	SYWK 35 YTA
40	48	30	49,2	99	49,2	19	136	176	21,4	14,4	12	30,2	30,7	19	0,8	SYWK 40 YTA
50	60	37	51,6	114	57,2	23	159	206	20	17	16	32,6	35,1	23,2	0,98	SYWK 50 LTA

As standard SKF Food Line Y-bearing units composite housings are lubricated for life. SKF does not recommend relubricating. If required units with relubrication fittings are available upon order. Please contact SKF for further details regarding delivery time and appropriate designations.



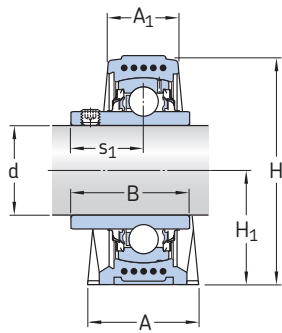
Designations Bearing unit	Separate components		Limiting speed with shaft tolerance	Mass Bearing unit	Appropriate cover	
	Housing	Bearing			Designation	Dimension
			h6			A ₅
–			r/min	kg	–	mm
SYWK 20 YTH	SYWK 504 Y	YAR 204-2RF/HV	5 000	0,24	ECW 204	26,3
SYWK 25 YTH	SYWK 505 Y	YAR 205-2RF/HV	4 300	0,29	ECW 205	26,3
SYWK 30 YTH	SYWK 506 Y	YAR 206-2RF/HV	3 800	0,49	ECW 206	31
SYWK 35 YTH	SYWK 507 Y	YAR 207-2RF/HV	3 200	0,66	ECW 207	32,5
SYWK 40 YTH	SYWK 508 Y	YAR 208-2RF/HV	2 800	0,86	ECW 208	33,5
SYWK 50 LTHR	SYWK 510 L	YAR 210-2RFGR/HV	2 200	1,3	ECL 210	42,4

Designations Bearing unit	Separate components		Limiting speed with shaft tolerance	Mass Bearing unit	Appropriate cover	
	Housing	Bearing			Designation	Dimension
			h6			A ₅
–			r/min	kg	–	mm
SYWK 20 YTA	SYWK 504 Y	YAR 204-2RF/VE495	5 000	0,24	ECW 204	26,3
SYWK 25 YTA	SYWK 505 Y	YAR 205-2RF/VE495	4 300	0,29	ECW 205	26,3
SYWK 30 YTA	SYWK 506 Y	YAR 206-2RF/VE495	3 800	0,49	ECW 206	31
SYWK 35 YTA	SYWK 507 Y	YAR 207-2RF/VE495	3 200	0,66	ECW 207	32,5
SYWK 40 YTA	SYWK 508 Y	YAR 208-2RF/VE495	2 800	0,86	ECW 208	33,5
SYWK 50 LTA	SYWK 510 L	YAR 210-2RF/VE495	2 200	1,3	ECL 210	42,4

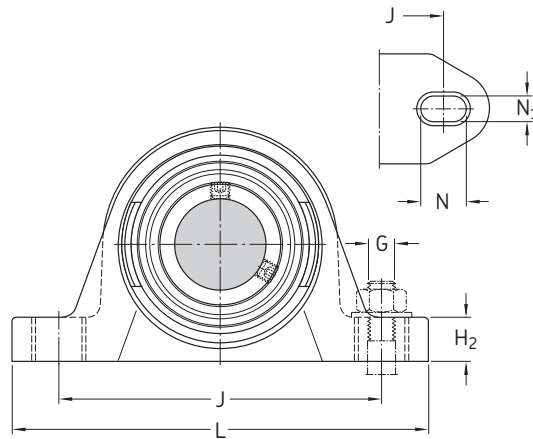
Composite SKF Food Line Y-bearing plummer block units stainless steel bearings, inch shafts

d $\frac{3}{4}$ – $1\frac{15}{16}$ in.

19,05 – 49,213 mm



SYWK..Y..

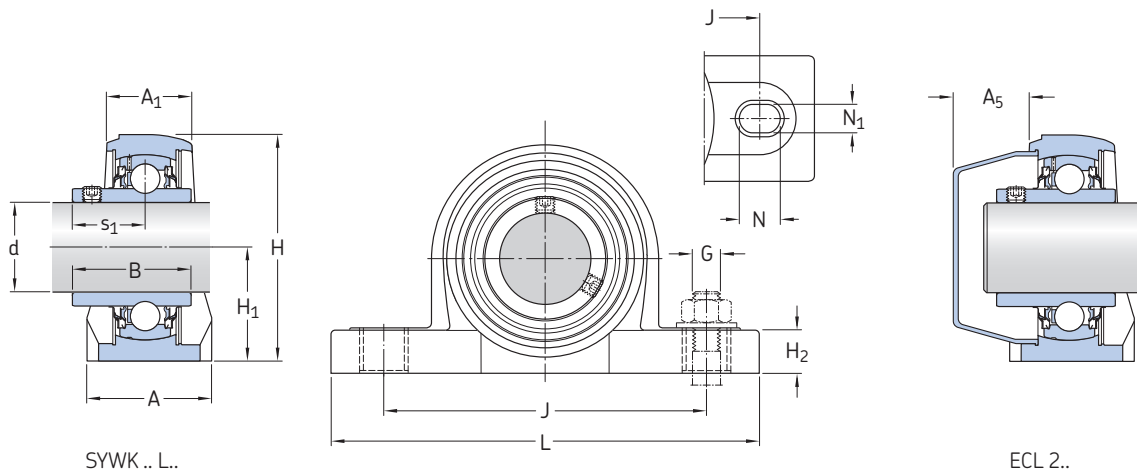


ECW 2..

Dimensions

d	A	A ₁	B	H	H ₁	H ₂	J	L	N	N ₁	G	s ₁	Basic load ratings		Fatigue load limit P _u	Designation Bearing unit
													dynamic C	static C ₀		
in./mm													lbf/kN	lbf/kN	–	
$\frac{3}{4}$ 19,05	1,26 32	0,83 21	1,22 31	2,52 64	1,31 33,3	0,63 16	3,77 96	4,96 126	0,69 17,4	0,48 12,1	$\frac{3}{8}$ 10	0,72 18,3	2 430 10,8	1 470 6,55	60 0,28	SYWK 3/4 YTH
1 25,4	1,26 32	0,86 22	1,34 34,1	2,77 70,5	1,43 36,5	0,63 16	4,13 105	5,27 134	0,69 17,4	0,48 12,1	$\frac{3}{8}$ 10	0,78 19,8	2 680 11,9	1 760 7,8	80 0,335	SYWK 1. YTH
$1\frac{3}{16}$ 30,163	1,57 40	0,98 25	1,5 38,1	3,22 82	1,69 42,9	0,75 19	4,76 121	6,25 159	0,84 21,4	0,57 14,4	$\frac{1}{2}$ 12	0,87 22,2	3 670 16,3	2 520 11,2	110 0,475	SYWK 1.3/16 YTH
$1\frac{1}{4}$ 31,75	1,57 40	0,98 25	1,5 38,1	3,22 82	1,69 42,9	0,75 19	4,76 121	6,25 159	0,84 21,4	0,57 14,4	$\frac{1}{2}$ 12	0,87 22,2	3 670 16,3	2 520 11,2	110 0,475	SYWK 1.1/4 AYTH
	1,77 45	1,06 27	1,69 42,9	3,66 93	1,87 47,6	0,75 19	4,96 126	6,45 164	0,84 21,4	0,57 14,4	$\frac{1}{2}$ 12	1 25,4	4 860 21,6	3 440 15,3	150 0,655	SYWK 1.1/4 YTH
$1\frac{3}{8}$ 34,925	1,77 45	1,06 27	1,69 42,9	3,66 93	1,87 47,6	0,75 19	4,96 126	6,45 164	0,84 21,4	0,57 14,4	$\frac{1}{2}$ 12	1 25,4	4 860 21,6	3 440 15,3	150 0,655	SYWK 1.3/8 YTH
$1\frac{7}{16}$ 36,513	1,77 45	1,06 27	1,69 42,9	3,66 93	1,87 47,6	0,75 19	4,96 126	6,45 164	0,84 21,4	0,57 14,4	$\frac{1}{2}$ 12	1 25,4	4 860 21,6	3 440 15,3	150 0,655	SYWK 1.7/16 YTH
$1\frac{1}{2}$ 38,1	1,89 48	1,18 30	1,93 49,2	3,89 99	1,93 49,2	0,75 19	5,35 136	6,92 176	0,84 21,4	0,57 14,4	$\frac{1}{2}$ 12	1,19 30,2	5 845 26	4 280 19	180 0,8	SYWK 1.1/2 YTH
$1\frac{15}{16}$ 49,213	2,36 60	1,46 37	2,03 51,6	4,49 114	2,25 57,2	0,9 23	6,26 159	8,11 206	0,79 20	0,67 17	$\frac{5}{8}$ 16	1,28 32,6	6 654 29,6	5 220 23,2	220 0,98	SYWK 1.15/16 LTHR

As standard SKF Food Line Y-bearing units composite housings are lubricated for life. SKF does not recommend relubricating. If required, units with relubrication fittings are available upon order. Please contact SKF for further details regarding delivery time and appropriate designations.



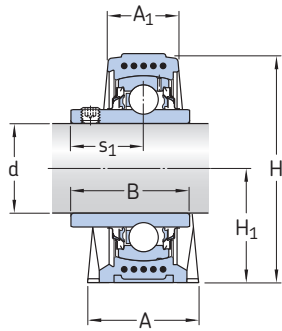
Designations Bearing unit	Separate components		Limiting speed with shaft tolerance h6	Mass Bearing unit	Appropriate cover	
	Housing	Bearing			Designation	Dimension A ₅
			r/min	lb/kg	– in./mm	
SYWK 3/4 YTH	SYWK 504 Y	YAR 204-012-2RF/HV	5 000	0.53 0,24	ECW 204	1.03 26,3
SYWK 1. YTH	SYWK 505 Y	YAR 205-100-2RF/HV	4 300	0.62 0,28	ECW 205	1.03 26,3
SYWK 1.3/16 YTH	SYWK 506 Y	YAR 206-103-2RF/HV	3 800	1.04 0,28	ECW 206	1.2 31
SYWK 1.1/4 AYTH	SYWK 506 Y	YAR 206-104-2RF/HV	3 800	1.04 0,47	ECW 206	1.2 31
SYWK 1.1/4 YTH	SYWK 507 Y	YAR 207-104-2RF/HV	3 200	1.57 0,71	ECW 207	1.28 32,5
SYWK 1.3/8 YTH	SYWK 507 Y	YAR 207-106-2RF/HV	3 200	1.44 0,65	ECW 207	1.28 32,5
SYWK 1.7/16 YTH	SYWK 507 Y	YAR 207-107-2RF/HV	3 200	1.37 0,62	ECW 207	1.28 32,5
SYWK 1.1/2 YTH	SYWK 508 Y	YAR 208-108-2RF/HV	2 800	1.98 0,9	ECW 208	1.31 33,5
SYWK 1.15/16 LTHR	SYWK 510 L	YAR 210-115-2RFGR/HV	2 200	2.86 1,3	ECL 210	1.67 42,4



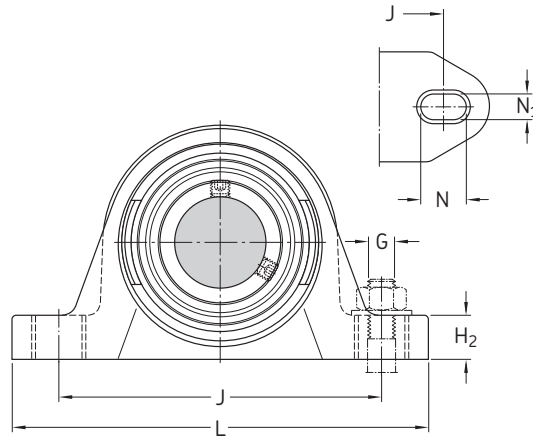
Composite SKF Food Line Y-bearing plummer block units zinc coated bearings, inch shafts

d $\frac{3}{4} - 1 \frac{15}{16}$ in.

19,05 – 49,213 mm



SYWK ..Y.

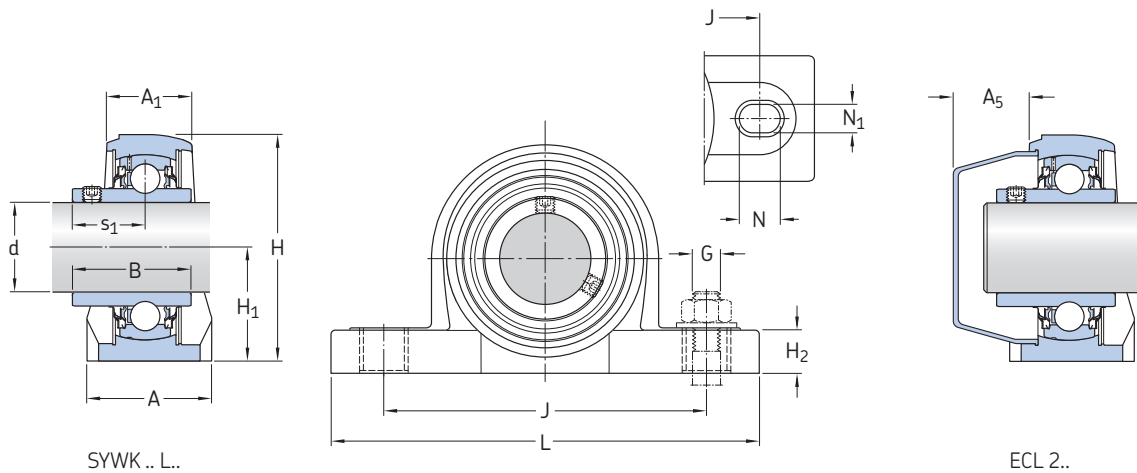


ECV 2..

Dimensions

d	A	A ₁	B	H	H ₁	H ₂	J	L	N	N ₁	G	s ₁	Basic load ratings		Fatigue load limit P _u	Designation Bearing unit
													dynamic C	static C ₀		
in./mm													lbf/kN	lbf/kN	–	
$\frac{3}{4}$ 19,05	1.26 32	0.83 21	1.22 31	2.52 64	1.31 33,3	0.63 16	3.78 96	4.95 126	0.69 17,4	0.48 12,1	$\frac{3}{8}$ 10	0.72 18,3	2 860 12,7	1 470 6,55	60 0,28	SYWK 3/4 YTA
$\frac{15}{16}$ 23,813	1.26 32	0.86 22	1.34 34,1	2.77 70,5	1.43 36,5	0.63 16	4.13 105	5.27 134	0.69 17,4	0.48 12,1	$\frac{3}{8}$ 10	0.78 19,8	3 154 14	1 760 7,8	80 0,335	SYWK 15/16 YTA
1 25,4	1.26 32	0.86 22	1.34 34,1	2.77 70,5	1.43 36,5	0.63 16	4.13 105	5.27 134	0.69 17,4	0.48 12,1	$\frac{3}{8}$ 10	0.78 19,8	3 154 14	1 760 7,8	80 0,335	SYWK 1. YTA
$1 \frac{3}{16}$ 30,163	1.57 40	0.98 25	1.5 38,1	3.22 82	1.69 42,9	0.75 19	4.76 121	6.25 159	0.84 21,4	0.57 14,4	$\frac{1}{2}$ 12	0.87 22,2	4 390 19,5	2 520 11,2	110 0,475	SYWK 1.3/16 YTA
$1 \frac{1}{4}$ 31,75	1.57 40	0.98 25	1.5 38,1	3.22 82	1.69 42,9	0.75 19	4.76 121	6.25 159	0.84 21,4	0.57 14,4	$\frac{1}{2}$ 12	0.87 22,2	4 390 19,5	2 520 11,2	110 0,475	SYWK 1.1/4 AYTA
	1.77 45	1.06 27	1.69 42,9	3.65 93	1.87 47,6	0.75 19	4.96 126	6.45 164	0.84 21,4	0.57 14,4	$\frac{1}{2}$ 12	1 25,4	5 740 25,5	3 440 15,3	150 0,655	SYWK 1.1/4 YTA
$1 \frac{3}{8}$ 34,925	1.77 45	1.06 27	1.69 42,9	3.65 93	1.87 47,6	0.75 19	4.96 126	6.45 164	0.84 21,4	0.57 14,4	$\frac{1}{2}$ 12	1 25,4	5 740 25,5	3 440 15,3	150 0,655	SYWK 1. 3/8 YTA
$1 \frac{7}{16}$ 36,513	1.77 45	1.06 27	1.69 42,9	3.65 93	1.87 47,6	0.75 19	4.96 126	6.45 164	0.84 21,4	0.57 14,4	$\frac{1}{2}$ 12	1 25,4	3 440 25,5	3 440 15,3	150 0,655	SYWK 1. 7/16 YTA
$1 \frac{1}{2}$ 38,1	1.89 48	1.18 30	1.93 49,2	3.89 99	1.93 49,2	0.75 19	5.35 136	6.92 176	0.84 21,4	0.57 14,4	$\frac{1}{2}$ 12	1.19 30,2	6 910 30,7	4 280 19	180 0,8	SYWK 1.1/2 YTA
$1 \frac{15}{16}$ 49,213	2.36 60	1.46 37	2 51,6	4.49 114	2.25 57,2	0.9 23	6.26 159	8.11 206	0.79 20	0.67 17	$\frac{5}{8}$ 16	1.28 32,6	7 900 35,1	5 220 23,2	220 0,98	SYWK 1.15/16 LTA

As standard SKF Food Line Y-bearing units composite housings are lubricated for life. SKF does not recommend relubricating. If required units with relubrication fittings are available upon order. Please contact SKF for further details regarding delivery time and appropriate designations.

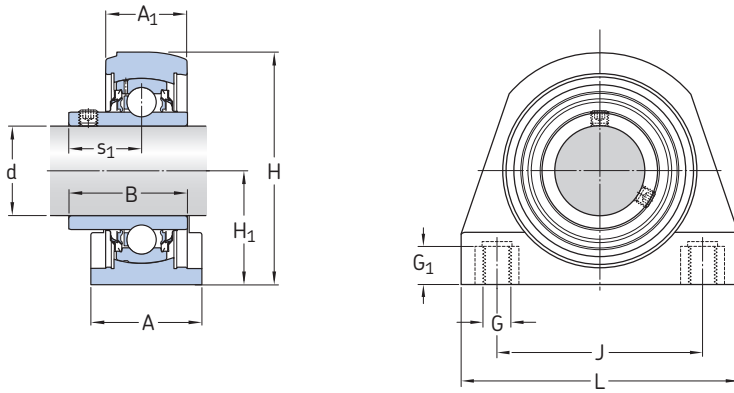


Designations Bearing unit	Separate components		Limiting speed with shaft tolerance h6	Mass Bearing unit lb/kg	Appropriate cover	
	Housing	Bearing			Designation	Dimension A ₅
–			r/min	–	in./mm	
SYWK 3/4 YTA	SYWK 504 Y	YAR 204-012-2RF/VE495	5 000	0.53 0,24	ECW 204	1.03 26,3
SYWK 15/16 YTA	SYWK 505 Y	YAR 205-015-2RF/VE495	4 300	0.62 0,28	ECW 205	1.03 26,3
SYWK 1. YTA	SYWK 505 Y	YAR 205-100-2RF/VE495	4 300	0.62 0,28	ECW 205	1.03 26,3
SYWK 1.3/16 YTA	SYWK 506 Y	YAR 206-103-2RF/VE495	3 800	1.04 0,28	ECW 206	1.22 31
SYWK 1.1/4 AYTA	SYWK 506 Y	YAR 206-104-2RF/VE495	3 800	1.04 0,47	ECW 206	1.22 31
SYWK 1.1/4 YTA	SYWK 507 Y	YAR 207-104-2RF/VE495	3 200	1.57 0,71	ECW 207	1.26 32
SYWK 1. 3/8 YTA	SYWK 507 Y	YAR 207-106-2RF/VE495	3 200	1.44 0,65	ECW 207	1.27 32,5
SYWK 1. 7/16 YTA	SYWK 507 Y	YAR 207-107-2RF/VE495	3 200	1.37 0,62	ECW 207	1.27 32,5
SYWK 1.1/2 YTA	SYWK 508 Y	YAR 208-108-2RF/VE495	2 800	1.98 0,9	ECW 208	1.31 33,5
SYWK 1.15/16 LTA	SYWK 510 L	YAR 210-115-2RF/VE495	2 200	2,86 1,3	ECL 210	1,67 42,4



Composite SKF Food Line Y-bearing short base plummer block units stainless steel bearings, metric shafts

d 20 – 50 mm



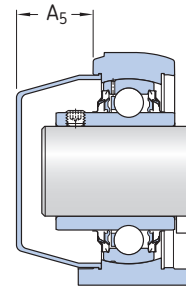
Dimensions											Basic load ratings		Fatigue	Designation
d	A	A ₁	B	H	H ₁	J	L	G	G ₁	s ₁	C	C ₀	P _u	Bearing unit
mm											kN		kN	–
20	34,5	23,8	31	66	33,3	50,8	72,8	M 8	12	18,3	10,8	6,55	0,28	SYFWK 20 LTHR
25	39,5	25,4	34,1	73,5	36,5	50,8	76,2	M 10	12	19,8	11,9	7,8	0,335	SYFWK 25 LTHR
30	42,5	28	38,1	84	42,9	76,2	101	M 10	12	22,2	16,3	11,2	0,475	SYFWK 30 LTHR
35	47,5	32,5	42,9	95	47,6	82,6	110	M 10	12	25,4	21,6	15,3	0,655	SYFWK 35 LTHR
40	48	35	49,2	100,5	49,2	88,9	120	M 12	16	30,2	26	19	0,8	SYFWK 40 LTHR
50	54	37,5	51,6	115	57,2	101,6	135	M 16	23,5	32,6	29,6	23,2	0,98	SYFWK 50 LTHR

Composite SKF Food Line Y-bearing short base plummer block units zinc coated bearings, metric shafts

d 20 – 50 mm

Dimensions											Basic load ratings		Fatigue	Designation
d	A	A ₁	B	H	H ₁	J	L	G	G ₁	s ₁	C	C ₀	P _u	Bearing unit
mm											kN		kN	–
20	34,5	23,8	31	66	33,3	50,8	72,8	M 8	12	18,3	12,7	6,55	0,28	SYFWK 20 LTA
25	39,5	25,4	34,1	73,5	36,5	50,8	76,2	M 10	12	19,8	14	7,8	0,335	SYFWK 25 LTA
30	42,5	28	38,1	84	42,9	76,2	101	M 10	12	22,2	19,5	11,2	0,475	SYFWK 30 LTA
35	47,5	32,5	42,9	95	47,6	82,6	110	M 10	12	25,4	25,5	15,3	0,655	SYFWK 35 LTA
40	48	35	49,2	100,5	49,2	88,9	120	M 12	16	30,2	30,7	19	0,8	SYFWK 40 LTA
50	54	37,5	51,6	115	57,2	101,6	135	M 16	33,5	32,6	35,1	23,2	0,98	SYFWK 50 LTA

As standard SKF Food Line Y-bearing units composite housings are lubricated for life. SKF does not recommend relubricating. If required units with relubrication fittings are available upon order. Please contact SKF for further details regarding delivery time and appropriate designations.



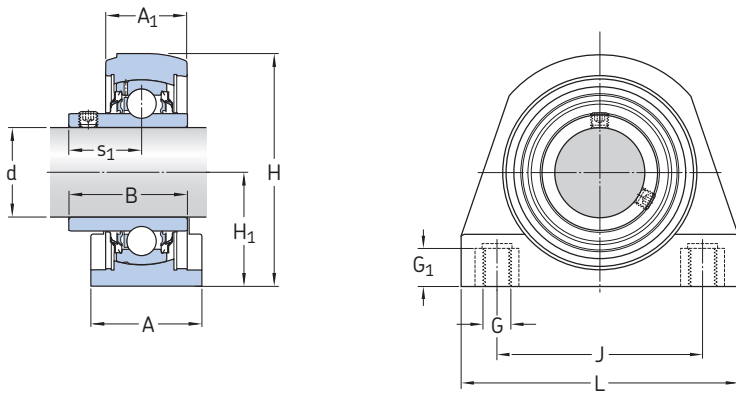
Designations Bearing unit	Separate components		Limiting speed with shaft tolerance	Mass Bearing unit	Appropriate covers	
	Housing	Bearing			Designation	Dimension
			h6			A ₅
			r/min	kg	–	mm
SYFWK 20 LTHR	SYFWK 504 L	YAR 204-2RFGR/HV	5 000	0,26	ECL 204	20,3
SYFWK 25 LTHR	SYFWK 505 L	YAR 205-2RFGR/HV	4 300	0,33	ECL 205	22
SYFWK 30 LTHR	SYFWK 506 L	YAR 206-2RFGR/HV	3 800	0,5	ECL 206	27
SYFWK 35 LTHR	SYFWK 507 L	YAR 207-2RFGR/HV	3 200	0,69	ECL 207	28,8
SYFWK 40 LTHR	SYFWK 508 L	YAR 208-2RFGR/HV	2 800	0,86	ECL 208	33,5
SYFWK 50 LTHR	SYFWK 510 L	YAR 210-2RFGR/HV	2 200	1,25	ECL 210	42,4

Designations Bearing unit	Separate components		Limiting speed with shaft tolerance	Mass Bearing unit	Appropriate covers	
	Housing	Bearing			Designation	Dimension
			h6			A ₅
			r/min	kg	–	mm
SYFWK 20 LTA	SYFWK 504 L	YAR 204-2RF/VE495	5 000	0,26	ECL 204	20,3
SYFWK 25 LTA	SYFWK 505 L	YAR 205-2RF/VE495	4 300	0,33	ECL 205	22
SYFWK 30 LTA	SYFWK 506 L	YAR 206-2RF/VE495	3 800	0,5	ECL 206	27
SYFWK 35 LTA	SYFWK 507 L	YAR 207-2RF/VE495	3 200	0,69	ECL 207	28,8
SYFWK 40 LTA	SYFWK 508 L	YAR 208-2RF/VE495	2 800	0,86	ECL 208	33,5
SYFWK 50 LTA	SYFWK 510 L	YAR 210-2RF/VE495	2 200	1,25	ECL 210	42,4

Composite SKF Food Line Y-bearing short base plummer block units stainless steel bearings, inch shafts

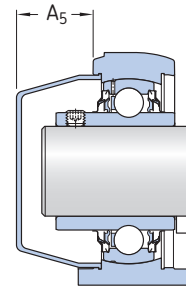
d $\frac{3}{4}$ – $1\frac{15}{16}$ in.

19,05 – 49,213 mm



Dimensions											Basic load ratings		Fatigue load limit P _u	Designation Bearing unit
d	A	A ₁	B	H	H ₁	J	L	G	G ₁	s ₁	C	C ₀		
in./mm											lbf/kN		lbf/kN	–
$\frac{3}{4}$ 19,05	1.36 34,5	0.94 23,8	1.22 31	2.6 66	1.31 33,3	2 50,8	2.87 72,8	M 8 M 8	0.47 12	0.72 18,3	2 430 10,8	1 470 6,55	60 0,28	SYFWK $\frac{3}{4}$ LTHR
1 25,4	1.55 39,5	1 25,4	1.34 34,1	2.89 73,5	1.44 36,5	2 50,8	3 76,2	M 10 M 10	0.47 12	0.78 19,8	2 680 11,9	1 760 7,8	80 0,335	SYFWK 1 . LTHR
$1\frac{3}{16}$ 30,163	1.67 42,5	1.1 28	1.5 38,1	3.31 84	1.69 42,9	3 76,2	3.98 101	M 10 M 10	0.47 12	0.87 22,2	3 670 16,3	2 520 11,2	110 0,475	SYFWK $1\frac{3}{16}$ LTHR
$1\frac{1}{4}$ 31,75	1.67 42,5	1.1 28	1.5 38,1	3.31 84	1.69 42,9	3 76,2	3.98 101	M 10 M 10	0.47 12	0.87 22,2	3 670 16,3	2 520 11,2	110 0,475	SYFWK $1\frac{1}{4}$ ALTHR
	1.87 47,5	1.28 32,5	1.69 42,9	3.74 95	1.87 47,6	3.25 82,6	4.33 110	M 10 M 10	0.47 12	1 25,4	4 860 21,6	3 440 15,3	150 0,655	SYFWK $1\frac{1}{4}$ LTHR
$1\frac{3}{8}$ 34,925	1.87 47,5	1.28 32,5	1.69 42,9	3.74 95	1.87 47,6	3.25 82,6	4.33 110	M 10 M 10	0.47 12	1 25,4	4 860 21,6	3 440 15,3	150 0,655	SYFWK $1\frac{3}{8}$ LTHR
$1\frac{7}{16}$ 36,513	1.87 47,5	1.28 32,5	1.69 42,9	3.74 95	1.87 47,6	3.25 82,6	4.33 110	M 10 M 10	0.47 12	1 25,4	4 860 21,6	3 440 15,3	150 0,655	SYFWK $1\frac{7}{16}$ LTHR
$1\frac{1}{2}$ 38,1	1.89 48	1.38 35	1.94 49,2	3.96 100,5	1.94 49,2	3.5 88,9	4.72 120	M 12 M 12	0.63 16	1.19 30,2	5 850 26	4 280 19	180 0,8	SYFWK $1\frac{1}{2}$ LTHR
$1\frac{15}{16}$ 49,213	2.13 54	1.54 39	2.03 51,6	4.53 115	2.25 57,2	4 101,6	5.31 135	M 16 M 16	0.93 23,5	1.28 32,6	6 660 29,6	5 220 23,2	220 0,98	SYFWK $1\frac{15}{16}$ LTHR

As standard SKF Food Line Y-bearing units composite housings are lubricated for life. SKF does not recommend relubricating. If required units with relubrication fittings are available upon order. Please contact SKF for further details regarding delivery time and appropriate designations.

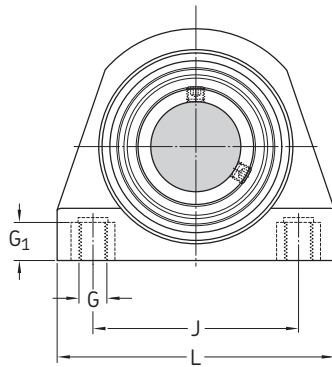
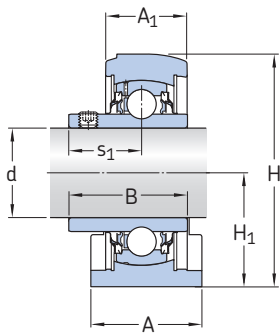


Designations Bearing unit	Separate components		Limiting speed with shaft tolerance h6	Mass Bearing unit lb/kg	Appropriate cover	
	Housing	Bearing			Designation End cover closed	Dimension A ₅
–			r/min		–	in./mm
SYFWK 3/4 LTHR	SYFWK 504 L	YAR 204-012-2RFGR/HV	5 000	0.6 0,27	ECL 204	0.8 20,3
SYFWK 1. LTHR	SYFWK 505 L	YAR 205-100-2RFGR/HV	4 300	0.74 0,34	ECL 205	0.87 22
SYFWK 1.3/16 LTHR	SYFWK 506 L	YAR 206-103-2RFGR/HV	3 800	1.1 0,5	ECL 206	1.07 27
SYFWK 1.1/4 ALTHR	SYFWK 506 L	YAR 206-104-2RFGR/HV	3 800	1.08 0,49	ECL 206	1.07 27
SYFWK 1.1/4 LTHR	SYFWK 507 L	YAR 207-104-2RFGR/HV	3 200	1.74 0,79	ECL 207	1.1 28,8
SYFWK 1.3/8 LTHR	SYFWK 507 L	YAR 207-106-2RFGR/HV	3 200	1.52 0,69	ECL 207	1.1 28,8
SYFWK 1.7/16 LTHR	SYFWK 507 L	YAR 207-107-2RFGR/HV	3 200	1.54 0,7	ECL 207	1.1 28,8
SYFWK 1.1/2 LTHR	SYFWK 508 L	YAR 208-108-2RFGR/HV	2 800	1.89 0,86	ECL 208	1.32 33,5
SYFWK 1.15/16 LTHR	SYFWK 510 L	YAR 210-115-2RFGR/HV	2 200	2.93 1,33	ECL 210	1.67 42,4

Composite SKF Food Line Y-bearing short base plummer block units zinc coated bearings, inch shafts

d $\frac{3}{4}$ – $1\frac{15}{16}$ in.

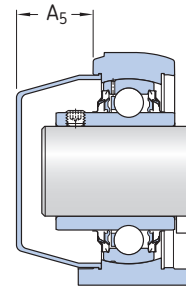
19,05 – 49,213 mm



Dimensions

d	Dimensions										Basic load ratings		Fatigue load limit	Designation
	A	A ₁	B	H	H ₁	J	L	G	G ₁	s ₁	dynamic	static	P _u	Bearing unit
in./mm											lbf/kN		lbf/kN	–
$\frac{3}{4}$ 19,05	1.36 34,5	0.94 23,8	1.22 31	2.60 66	1.31 33,3	2 50,8	2.87 72,8	M 8 M 8	0.47 12	0.72 18,3	2 860 12,7	1 470 6,55	60 0,28	SYFWK 3/4 LTA
$\frac{15}{16}$ 23,813	1.55 39,5	1 25,4	1.34 34,1	2.89 73,5	1.44 36,5	2 50,8	3 76,2	M 10 M 10	0.47 12	0.78 19,8	3 150 14	1 760 7,8	80 0,335	SYFWK 15/16 LTA
1 25,4	1.55 39,5	1 25,4	1.34 34,1	2.89 73,5	1.44 36,5	2 50,8	3 76,2	M 10 M 10	0.47 12	0.78 19,8	3 150 14	1 760 7,8	80 0,335	SYFWK 1. LTA
$1\frac{3}{16}$ 30,163	1.67 42,5	1.1 28	1.5 38,1	3.31 84	1.69 42,9	3 76,2	3.98 101	M 10 M 10	0.47 12	0.87 22,2	4 390 19,5	11.2 11,2	110 0,475	SYFWK 1.3/16 LTA
$1\frac{1}{4}$ 31,75	1.67 42,5	1.1 28	1.5 38,1	3.31 84	1.69 42,9	3 76,2	3.98 101	M 10 M 10	0.47 12	0.87 22,2	4 390 19,5	11.2 11,2	110 0,475	SYFWK 1.1/4 ALTA
	1.87 47,5	1.28 32,5	1.69 42,9	3.74 95	1.87 47,6	3.25 82,6	4.33 110	M 10 M 10	0.47 12	1 25,4	5 740 25,5	3 440 15,3	150 0,655	SYFWK 1.1/4 LTA
$1\frac{3}{8}$ 34,925	1.87 47,5	1.28 32,5	1.69 42,9	3.74 95	1.87 47,6	3.25 82,6	4.33 110	M 10 M 10	0.47 12	1 25,4	5 740 25,5	3 440 15,3	150 0,655	SYFWK 1.3/8 LTA
$1\frac{7}{16}$ 36,513	1.87 47,5	1.28 32,5	1.69 42,9	3.74 95	1.87 47,6	3.25 82,6	4.33 110	M 10 M 10	0.47 12	1 25,4	5 740 25,5	3 440 15,3	150 0,655	SYFWK 1.7/16 LTA
$1\frac{1}{2}$ 38,1	1.89 48	1.38 35	1.94 49,2	3.96 100,5	1.94 49,2	3.5 88,9	4.72 120	M 12 M 12	0.63 16	1.19 30,2	6 910 30,7	4 280 19	180 0,8	SYFWK 1.1/2 LTA
$1\frac{15}{16}$ 49,213	2.13 54	1.48 37,5	2.03 51,6	4.53 115	2.25 57,2	4 101,6	5.31 135	M 16 M 16	0.98 23,5	1.28 32,6	7 900 35,1	5 220 23,2	220 0,98	SYFWK 1.15/16 LTA

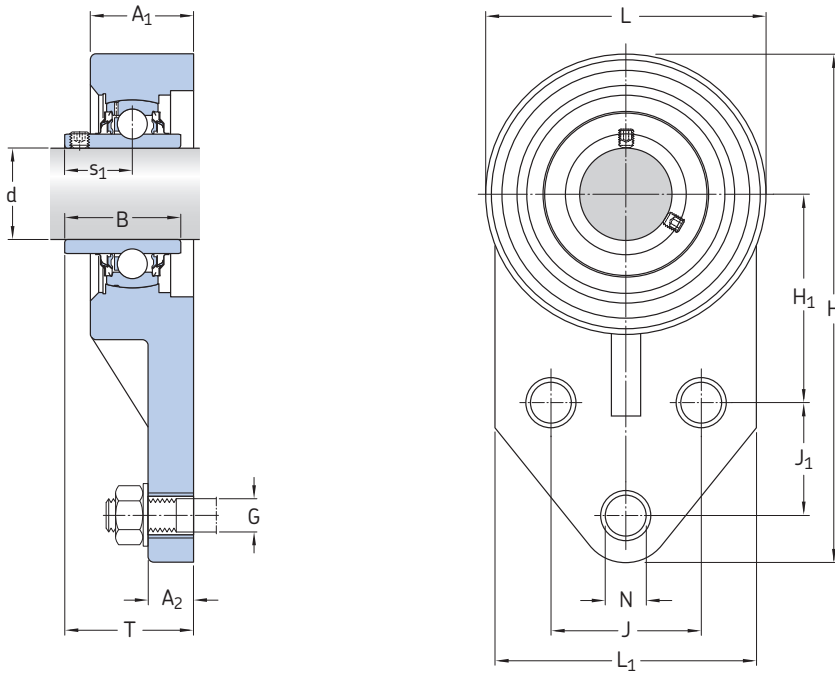
As standard SKF Food Line Y-bearing units composite housings are lubricated for life. SKF does not recommend relubricating. If required units with relubrication fittings are available upon order. Please contact SKF for further details regarding delivery time and appropriate designations.



Designations Bearing unit	Separate components		Limiting speed with shaft tolerance h6	Mass Bearing unit	Appropriate cover	
	Housing	Bearing			Designation End cover closed	Dimension A ₅
-			r/min	lb/kg	-	in./mm
SYFWK 3/4 LTA	SYFWK 504 L	YAR 204-012-2RF/VE495	5 000	0.6 0,27	ECL 204	0.80 20,3
SYFWK 15/16 LTA	SYFWK 505 L	YAR 205-015-2RF/VE495	4 300	0.74 0,34	ECL 205	0.87 22
SYFWK 1. LTA	SYFWK 505 L	YAR 205-100-2RF/VE495	4 300	0.74 0,34	ECL 205	0.87 22
SYFWK 1.3/16 LTA	SYFWK 506 L	YAR 206-103-2RF/VE495	3 800	1.10 0,5	ECL 206	1.07 27
SYFWK 1.1/4 ALTA	SYFWK 506 L	YAR 206-104-2RF/VE495	3 800	1.08 0,49	ECL 206	1.07 27
SYFWK 1.1/4 LTA	SYFWK 507 L	YAR 207-104-2RF/VE495	3 200	1.74 0,79	ECL 207	1.1 28,8
SYFWK 1.3/8 LTA	SYFWK 507 L	YAR 207-106-2RF/VE495	3 200	1.52 0,69	ECL 207	1.1 28,8
SYFWK 1.7/16 LTA	SYFWK 507 L	YAR 207-107-2RF/VE495	3 200	1.54 0,7	ECL 207	1.12 28,4
SYFWK 1.1/2 LTA	SYFWK 508 L	YAR 208-108-2RF/VE495	2 800	1.89 0,86	ECL 208	1.32 33,5
SYFWK 1.15/16 LTA	SYFWK 510 L	YAR 210-115-2RF/VE495	2 200	2.93 1,33	ECL 210	1.67 42,4

Composite SKF Food Line Y-bearing 3-bolt flange units stainless steel bearings, metric shafts

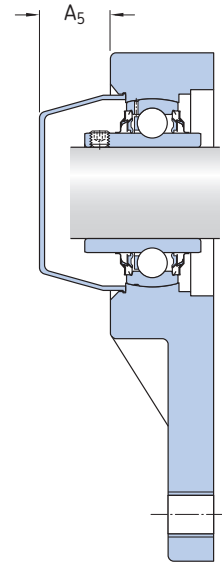
d 20 – 50 mm



Dimensions

d	Dimensions													Basic load ratings		Fatigue	Designation
	A ₁	A ₂	H	B	L	L ₁	J	H ₁	J ₁	N	G	T	s ₁	dynamic	static	load limit	Bearing unit
mm														kN		kN	–
20	26,5	11,4	108	31	63,5	62	38,1	42,9	22,2	10,7	10	33,7	18,3	10,8	6,55	0,28	FYAWK 20 LTHR
25	34	11,4	120,6	34,1	70	63,5	41,3	46	28,6	10,7	10	41,6	19,8	11,9	7,8	0,335	FYAWK 25 LTHR
30	32	13,3	138	38,1	83	76	47,6	52,4	31,8	10,7	10	41,5	22,2	16,3	11,2	0,475	FYAWK 30 LTHR
35	36,5	16,1	157	42,9	95	89	50,8	60,3	31,8	13,1	12	47,1	25,4	21,6	15,3	0,655	FYAWK 35 LTHR
40	37	16,1	159	49,2	99	89	50,8	60,3	31,8	13,1	12	51,7	30,2	26	19	0,8	FYAWK 40 LTHR
50	39	20	185,5	51,6	112	100	60	68	46	14	12	56,6	32,6	29,6	23,2	0,98	FYAWK 50 LTHR

As standard SKF Food Line Y-bearing units composite housings are lubricated for life. SKF does not recommend relubricating. If required units with relubrication fittings are available upon order. Please contact SKF for further details regarding delivery time and appropriate designations.

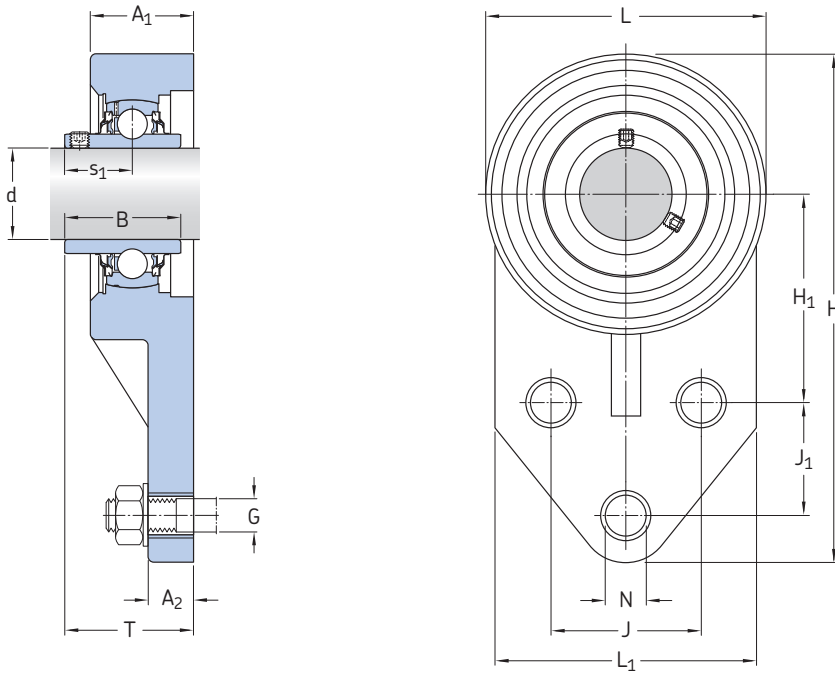


C

Designations Bearing unit	Separate components		Limiting speed with shaft tolerance	Mass Bearing unit	Appropriate cover	
	Housing	Bearing			Designation	Dimension End cover closed A ₅
			h6			
			r/min	kg	–	mm
FYAWK 20 LTHR	FYAWK 504 L	YAR 204-2RFGR/HV	5 000	0,25	ECL 204	20,3
FYAWK 25 LTHR	FYAWK 505 L	YAR 205-2RFGR/HV	4 300	0,3	ECL 205	22,2
FYAWK 30 LTHR	FYAWK 506 L	YAR 206-2RFGR/HV	3 800	0,46	ECL 206	26,9
FYAWK 35 LTHR	FYAWK 507 L	YAR 207-2RFGR/HV	3 200	0,66	ECL 207	28,6
FYAWK 40 LTHR	FYAWK 508 L	YAR 208-2RFGR/HV	2 800	0,88	ECL 208	33,5
FYAWK 50 LTHR	FYAWK 510 L	YAR 210-2RFGR/HV	2 200	1,08	ECL 210	43

Composite SKF Food Line Y-bearing 3-bolt flange units zinc coated bearings, metric shafts

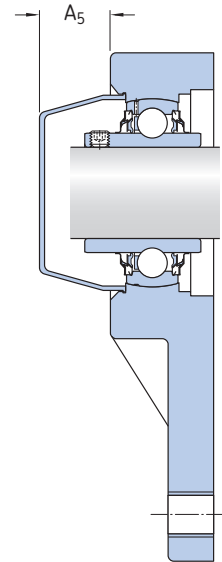
d 20 – 50 mm



Dimensions

d	Dimensions													Basic load ratings		Fatigue	Designation
	A ₁	A ₂	H	B	L	L ₁	J	H ₁	J ₁	N	G	T	s ₁	dynamic	static	load limit	Bearing unit
mm														kN		kN	–
20	26,5	11,4	108	31	63,5	62	38,1	42,9	22,2	10,7	10	33,7	18,3	12,7	6,55	0,28	FYAWK 20 LTA
25	34	11,4	120,6	34,1	70	63,5	41,3	46	28,6	10,7	10	41,6	19,8	14	7,8	0,335	FYAWK 25 LTA
30	32	13,3	138	38,1	83	76	47,6	52,4	31,8	10,7	10	41,5	22,2	19,5	11,2	0,475	FYAWK 30 LTA
35	36,5	16,1	157	42,9	95	89	50,8	60,3	31,8	13,1	12	47,1	25,4	25,5	15,3	0,655	FYAWK 35 LTA
40	37	16,1	159	49,2	99	89	50,8	60,3	31,8	13,1	12	51,7	30,2	30,7	19	0,8	FYAWK 40 LTA
50	39	20	185,5	51,6	112	100	60	68	46	14	12	56,6	32,6	35,1	23,2	0,98	FYAWK 50 LTA

As standard SKF Food Line Y-bearing units composite housings are lubricated for life. SKF does not recommend relubricating. If required units with relubrication fittings are available upon order. Please contact SKF for further details regarding delivery time and appropriate designations.

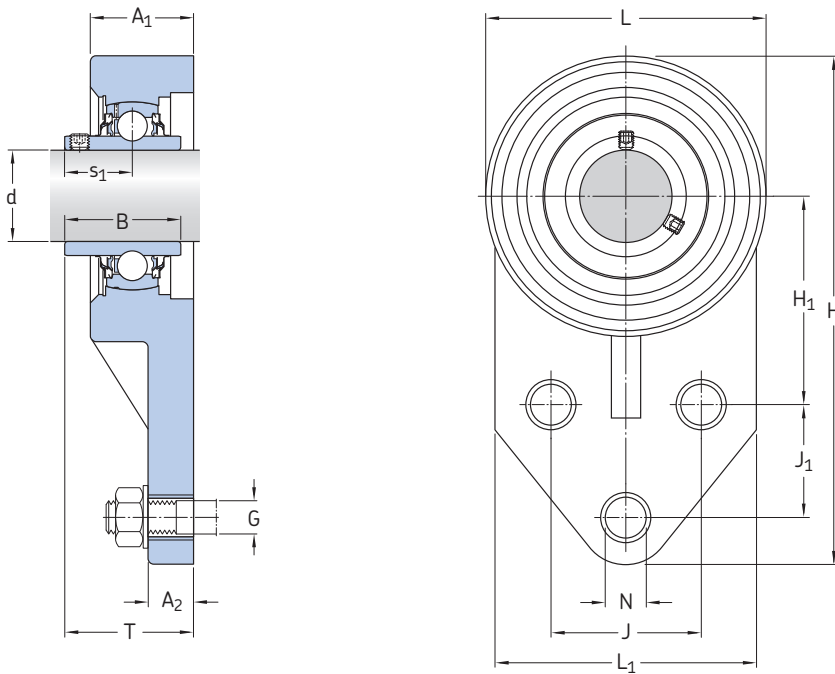


Designations Bearing unit	Separate components		Limiting speed with shaft tolerance	Mass Bearing unit	Appropriate cover	
	Housing	Bearing			Designation End cover closed	Dimension A ₅
			h6			
			r/min	kg	–	mm
FYAWK 20 LTA	FYAWK 504 L	YAR 204-2RF/VE495	5 000	0,25	ECL 204	20,3
FYAWK 25 LTA	FYAWK 505 L	YAR 205-2RF/VE495	4 300	0,3	ECL 205	22,2
FYAWK 30 LTA	FYAWK 506 L	YAR 206-2RF/VE495	3 800	0,46	ECL 206	26,9
FYAWK 35 LTA	FYAWK 507 L	YAR 207-2RF/VE495	3 200	0,66	ECL 207	28,6
FYAWK 40 LTA	FYAWK 508 L	YAR 208-2RF/VE495	2 800	0,88	ECL 208	33,5
FYAWK 50 LTA	FYAWK 510 L	YAR 210-2RF/VE495	2 200	1,08	ECL 210	43

Composite SKF Food Line Y-bearing 3-bolt flange units stainless steel bearings, inch shafts

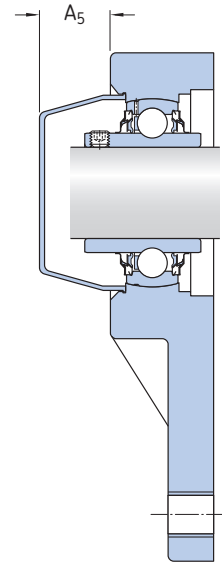
d $\frac{3}{4} - 1\frac{15}{16}$ in.

19,05 – 49,213 mm



Dimensions														Basic load ratings		Fatigue load limit	Designation
d	A ₁	A ₂	H	B	L	L ₁	J	H ₁	J ₁	N	G	T	s ₁	C	C ₀	P _u	Bearing unit
in./mm														lbf/kN		lbf/kN	–
$\frac{3}{4}$ 19,05	1.04 26,5	0.45 11,4	4.25 108	1.22 31	2.5 63,5	2.44 62	1.50 38,1	1.69 42,9	0.87 22,2	0.42 10,7	$\frac{3}{8}$ 1.33 33,7	1.33 18,3	0.72 18,3	2 430 10,8	1 470 6,55	60 0,28	FYAWK 3/4 LTHR
1 25,4	1.34 34	0.45 11,4	4.75 120,6	1.34 34,1	2.76 70	2.5 63,5	1.63 41,3	1.81 46	1.13 28,6	0.42 10,7	$\frac{3}{8}$ 1.64 41,6	1.64 19,8	0.78 11,9	2 680 11,9	1 760 7,8	80 0,335	FYAWK 1. LTHR
$1\frac{3}{16}$ 30,163	1.26 32	0.52 13,3	5.43 138	1.5 38,1	3.27 83	2.99 76	1.87 47,6	2.06 52,4	1.25 31,8	0.42 10,7	$\frac{3}{8}$ 1.63 41,5	1.63 22,2	0.87 16,3	3 670 16,3	2 520 11,2	110 0,475	FYAWK 1.3/16 LTHR
$1\frac{1}{4}$ 31,75	1.26 32	0.52 13,3	5.45 138,5	1.5 38,1	3.27 83	2.99 76	1.87 47,6	2.06 52,4	1.25 31,8	0.42 10,7	$\frac{3}{8}$ 1.63 41,5	1.63 22,2	0.87 16,3	3 670 16,3	2 520 11,2	110 0,475	FYAWK 1.1/4 ALTHR
	1.44 36,5	0.63 16,1	6.18 157	1.69 42,9	3.74 95	3.5 89	2 50,8	2.37 60,3	1.25 31,8	0.52 13,1	$\frac{1}{2}$ 1.85 47,1	1 25,4	1 21,6	4 860 15,3	3 440 15,3	150 0,655	FYAWK 1.1/4 LTHR
	1.44 36,5	0.63 16,1	6.18 157	1.69 42,9	3.74 95	3.5 89	2 50,8	2.37 60,3	1.25 31,8	0.52 13,1	$\frac{1}{2}$ 1.85 47,1	1 25,4	1 21,6	4 860 15,3	3 440 15,3	150 0,655	FYAWK 1.3/8 LTHR
$1\frac{3}{8}$ 34,925	1.44 36,5	0.63 16,1	6.18 157	1.69 42,9	3.74 95	3.5 89	2 50,8	2.37 60,3	1.25 31,8	0.52 13,1	$\frac{1}{2}$ 1.85 47,1	1 25,4	1 21,6	4 860 15,3	3 440 15,3	150 0,655	FYAWK 1.3/8 LTHR
$1\frac{7}{16}$ 36,513	1.44 36,5	0.63 16,1	6.18 157	1.69 42,9	3.74 95	3.5 89	2 50,8	2.37 60,3	1.25 31,8	0.52 13,1	$\frac{1}{2}$ 1.85 47,1	1 25,4	1 21,6	4 860 15,3	3 440 15,3	150 0,655	FYAWK 1.7/16 LTHR
$1\frac{1}{2}$ 38,1	1.46 37	0.63 16,1	6.26 159	1.94 49,2	3.9 99	3.5 89	2 50,8	2.37 60,3	1.25 31,8	0.52 13,1	$\frac{1}{2}$ 2.04 51,7	1.19 30,2	5 850 26	4 280 19	180 0,8	FYAWK 1.1/2 LTHR	
$1\frac{15}{16}$ 49,213	1.54 39	0.79 20	7.3 185,5	2.03 51,6	4.41 112	3.94 100	2.36 60	2.68 68	1.81 46	0.55 14	$\frac{1}{2}$ 2.23 56,6	1.28 32,6	6 660 29,6	5 220 23,2	220 0,98	FYAWK 1.15/16 LTHR	

As standard SKF Food Line Y-bearing units composite housings are lubricated for life. SKF does not recommend relubricating. If required units with relubrication fittings are available upon order. Please contact SKF for further details regarding delivery time and appropriate designations.

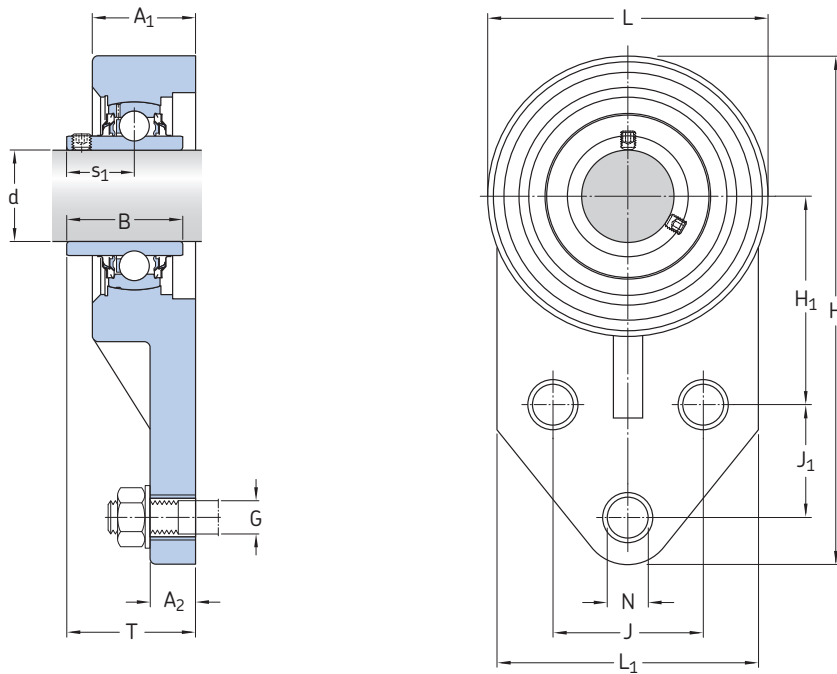


Designations Bearing unit	Separate components		Limiting speed with shaft tolerance	Mass Bearing unit	Appropriate cover	
	Housing	Bearing			Designation End cover closed	Dimension A ₅
			h6			
			r/min	lb/kg	in./mm	
FYAWK 3/4 LTHR	FYAWK 504 L	YAR 204-012-2RFGR/HV	5 000	0.59 0,6	ECL 204	0.8 20,3
FYAWK 1. LTHR	FYAWK 505 L	YAR 205-100-2RFGR/HV	4 300	0.68 0,31	ECL 205	0.87 22,2
FYAWK 1.3/16 LTHR	FYAWK 506 L	YAR 206-103-2RFGR/HV	3 800	1.01 0,46	ECL 206	1.06 26,9
FYAWK 1.1/4 ALTHR	FYAWK 506 L	YAR 206-104-2RFGR/HV	3 800	0.99 0,45	ECL 206	1.06 26,9
FYAWK 1.1/4 LTHR	FYAWK 507 L	YAR 207-104-2RFGR/HV	3 200	1.67 0,76	ECL 207	1.13 28,6
FYAWK 1.3/8 LTHR	FYAWK 507 L	YAR 207-106-2RFGR/HV	3 200	1.45 0,66	ECL 207	1.13 28,6
FYAWK 1.7/16 LTHR	FYAWK 507 L	YAR 207-107-2RFGR/HV	3 200	1.47 0,67	ECL 207	1.13 28,6
FYAWK 1.1/2 LTHR	FYAWK 508 L	YAR 208-108-2RFGR/HV	2 800	1.94 0,88	ECL 208	1.32 33,5
FYAWK 1.15/16 LTHR	FYAWK 510 L	YAR 210-115-2RFGR/HV	2 200	2.33 1,06	ECL 210	1.69 43

Composite SKF Food Line Y-bearing 3-bolt flange units zinc coated bearings, inch shafts

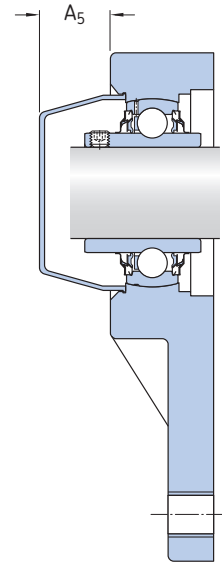
d $\frac{3}{4} - 1 \frac{15}{16}$ in.

19,05 – 49,213 mm



Dimensions														Basic load ratings		Fatigue load limit P_u	Designation Bearing unit
d	A ₁	A ₂	H	B	L	L ₁	J	H ₁	J ₁	N	G	T	s ₁	C	C ₀		
in./mm														lbf/kN		lbf/kN	–
$\frac{3}{4}$ 19,05	1,04 26,5	0,45 11,4	4,25 108	1,22 31	2,5 63,5	2,44 62	1,5 38,1	1,69 42,9	0,87 22,2	0,42 10,7	$\frac{3}{8}$ 33,7	1,33 18,3	0,72 18,3	2 860 12,7	1 470 6,55	60 0,28	FYAWK 3/4 LTA
15/16 23,81	1,34 34	0,45 11,4	4,75 120,6	1,34 34,1	2,76 70	2,5 63,5	1,63 41,3	1,81 46	1,13 28,6	0,42 10,7	$\frac{3}{8}$ 41,6	1,64 19,8	0,78 19,8	3 150 14	1 760 7,8	80 0,335	FYAWK 15/16 LTA
1 25,4	1,34 34	0,45 11,4	4,75 120,6	1,34 34,1	2,76 70	2,5 63,5	1,63 41,3	1,81 46	1,13 28,6	0,42 10,7	$\frac{3}{8}$ 41,6	1,64 19,8	0,78 19,8	3 150 14	1 760 7,8	80 0,335	FYAWK 1. LTA
$1 \frac{3}{16}$ 30,163	1,26 32	0,52 13,3	5,43 138	1,5 38,1	3,27 83	2,99 76	1,87 47,6	2,06 52,4	1,25 31,8	0,42 10,7	$\frac{3}{8}$ 41,5	1,63 22,2	0,87 19,5	4 390 19,5	2 520 11,2	110 0,475	FYAWK 1.3/16 LTA
$1 \frac{1}{4}$ 31,75	1,26 32	0,52 13,3	5,45 138,5	1,5 38,1	3,27 83	2,99 76	1,87 47,6	2,06 52,4	1,25 31,8	0,42 10,7	$\frac{3}{8}$ 41,5	0,87 22,2	4 390 19,5	2 520 11,2	110 0,475	FYAWK 1.1/4 ALTA	
			6,18 157	1,69 42,9	3,74 95	3,5 89	2 50,8	2,37 60,3	1,25 31,8	0,52 13,1		$\frac{1}{2}$ 47,1	1,85 25,4	1 25,5	5 740 25,5	3 440 15,3	150 0,655
$1 \frac{3}{8}$ 34,925	1,44 36,5	0,63 16,1	6,18 157	1,69 42,9	3,74 95	3,5 89	2 50,8	2,37 60,3	1,25 31,8	0,52 13,1	$\frac{1}{2}$ 47,1	1,85 25,4	1 25,5	5 740 25,5	3 440 15,3	150 0,655	FYAWK 1.3/8 LTA
			6,18 157	1,69 42,9	3,74 95	3,5 89	2 50,8	2,37 60,3	1,25 31,8	0,52 13,1		$\frac{1}{2}$ 47,1	1,85 25,4	1 25,5	5 740 25,5	3 440 15,3	150 0,655
$1 \frac{1}{2}$ 38,1	1,46 37	0,63 16,1	6,26 159	1,94 49,2	3,9 99	3,5 89	2 50,8	2,37 60,3	1,25 31,8	0,52 13,1	$\frac{1}{2}$ 51,7	1,19 30,2	6 910 30,7	4 280 19	180 0,8	FYAWK 1.1/2 LTA	
			7,3 185,5	2,03 51,6	4,41 112	3,94 100	2,36 60	2,68 68	1,81 46	0,55 14		$\frac{1}{2}$ 56,6	2,23 32,6	1,28 35,1	7 900 35,1	5 220 23,2	220 0,98

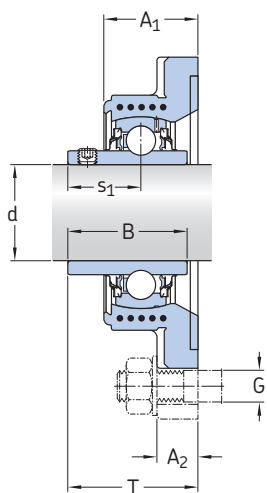
As standard SKF Food Line Y-bearing units composite housings are lubricated for life. SKF does not recommend relubricating. If required units with relubrication fittings are available upon order. Please contact SKF for further details regarding delivery time and appropriate designations.



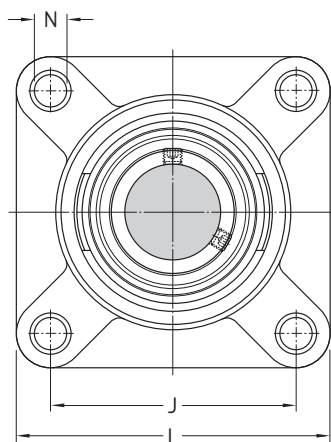
Designations Bearing unit	Separate components		Limiting speed with shaft tolerance	Mass Bearing unit	Appropriate cover	
	Housing	Bearing			Designation End cover closed	Dimension A ₅
			h6			
			r/min	lb/kg	in./mm	
FYAWK 3/4 LTA	FYAWK 504 L	YAR 204-012-2RF/VE495	5 000	0.59 0,6	ECL 204	0.8 20,3
FYAWK 15/16 LTA	FYAWK 505 L	YAR 205-015-2RF/VE495	4 300	0.73 0,33	ECL 205	0.87 22,2
FYAWK 1. LTA	FYAWK 505 L	YAR 205-100-2RF/VE495	4 300	0.68 0,31	ECL 205	0.87 22,2
FYAWK 1.3/16 LTA	FYAWK 506 L	YAR 206-103-2RF/VE495	3 800	1.01 0,46	ECL 206	1.06 26,9
FYAWK 1.1/4 ALTA	FYAWK 506 L	YAR 206-104-2RF/VE495	3 800	0.99 0,45	ECL 206	1.06 26,9
FYAWK 1.1/4 LTA	FYAWK 507 L	YAR 207-104-2RF/VE495	3 200	1.67 0,76	ECL 207	1.13 28,6
FYAWK 1.3/8 LTA	FYAWK 507 L	YAR 207-106-2RF/VE495	3 200	1.45 0,66	ECL 207	1.13 28,6
FYAWK 1. 7/16 LTA	FYAWK 507 L	YAR 207-107-2RF/VE495	3 200	1.47 0,67	ECL 207	1.13 28,6
FYAWK 1.1/2 LTA	FYAWK 508 L	YAR 208-108-2RF/VE495	2 800	1.94 0,88	ECL 208	1.32 33,5
FYAWK 1.15/16 LTA	FYAWK 510 L	YAR 210-115-2RF/VE495	2 200	2.33 1,06	ECL 210	1.69 43

Composite SKF Food Line Y-bearing square flanged units stainless steel bearings, metric shafts

d 20 – 50 mm



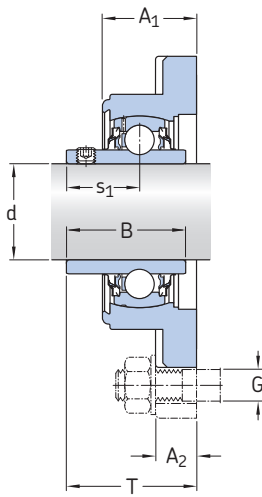
FYWK ..Y..



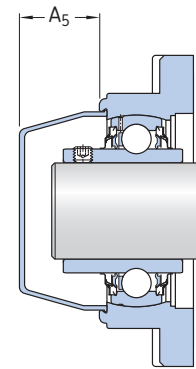
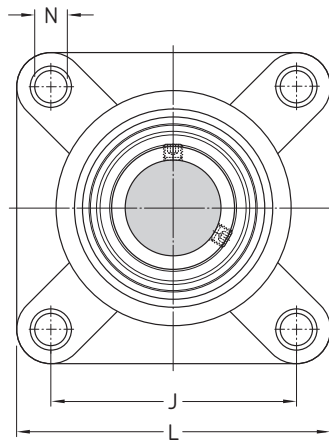
ECW 2..

Dimensions										Basic load ratings		Fatigue load limit	Designation
d	A ₁	A ₂	B	J	L	N	G	s ₁	T	C	C ₀	P _u	Bearing unit
mm										kN		kN	–
20	30	15	31	63,5	86	11,9	10	18,3	37,3	10,8	6,55	0,28	FYWK 20 YTH
25	31	15	34,1	70	95	11,9	10	19,8	38,8	11,9	7,8	0,335	FYWK 25 YTH
30	33	15,3	38,1	82,5	108	11,9	10	22,2	42,2	16,3	11,2	0,475	FYWK 30 YTH
35	35	17	42,9	92	118	14,3	12	25,4	46,4	21,6	15,3	0,655	FYWK 35 YTH
40	39	17	49,2	101,5	130	14,3	12	30,2	54,2	26	19	0,8	FYWK 40 YTH
50	43	21	51,6	111	143	17	16	32,6	57,6	29,6	23,2	0,98	FYWK 50 LTHR

As standard SKF Food Line Y-bearing units composite housings are lubricated for life. SKF does not recommend relubricating. If required units with relubrication fittings are available upon order. Please contact SKF for further details regarding delivery time and appropriate designations.



FYWK .. L..

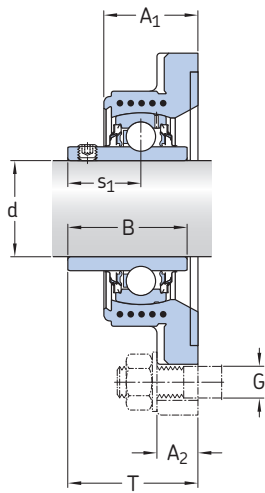


ECL 2..

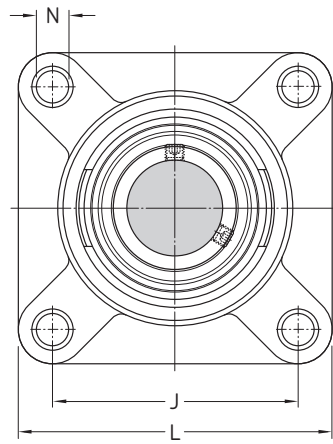
Designations Bearing unit	Separate components		Limiting speed with shaft tolerance	Mass Bearing unit	Appropriate cover	
	Housing	Bearing			Designation End cover closed	Dimension A ₅
			h6			
			r/min	kg	–	mm
FYWK 20 YTH	FYWK 504 Y	YAR 204-2RF/HV	5 000	0,29	ECW 204	26
FYWK 25 YTH	FYWK 505 Y	YAR 205-2RF/HV	4 300	0,36	ECW 205	25,5
FYWK 30 YTH	FYWK 506 Y	YAR 206-2RF/HV	3 800	0,5	ECW 206	30,5
FYWK 35 YTH	FYWK 507 Y	YAR 207-2RF/HV	3 200	0,74	ECW 207	32
FYWK 40 YTH	FYWK 508 Y	YAR 208-2RF/HV	2 800	0,97	ECW 208	33
FYWK 50 LTHR	FYWK 510 L	YAR 210-2RFGR/HV	2 200	1,25	ECL 210	42,7



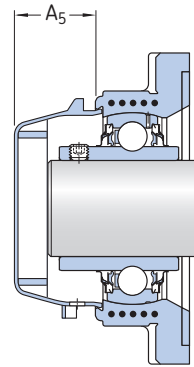
Composite SKF Food Line Y-bearing square flanged units zinc coated bearings, metric shafts
d 20 – 50 mm



FYWK ..Y..

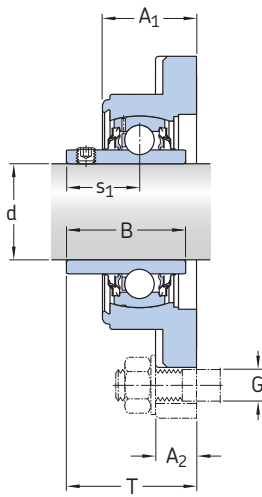


ECW 2..

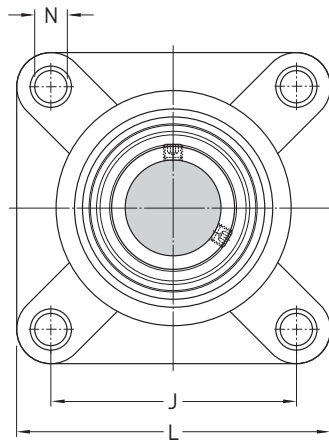


Dimensions										Basic load ratings		Fatigue load limit	Designation
d	A ₁	A ₂	B	J	L	N	G	s ₁	T	C	C ₀	P _u	Bearing unit
mm										kN		kN	–
20	30	15	31	63,5	86	11,9	10	18,3	37,3	12,7	6,55	0,28	FYWK 20 YTA
25	31	15	34,1	70	95	11,9	10	19,8	38,8	14	7,8	0,335	FYWK 25 YTA
30	33	15,3	38,1	82,5	108	11,9	10	22,2	42,2	19,5	11,2	0,475	FYWK 30 YTA
35	35	17	42,9	92	118	14,3	12	25,4	46,4	25,5	15,3	0,655	FYWK 35 YTA
40	39	17	49,2	101,5	130	14,3	12	30,2	54,2	30,7	19	0,8	FYWK 40 YTA
50	43	21	51,6	111	143	17	16	32,6	57,6	35,1	23,2	0,98	FYWK 50 LTA

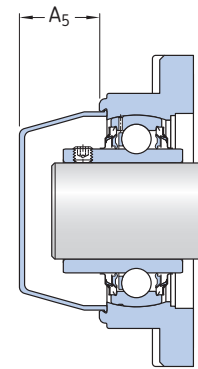
As standard SKF Food Line Y-bearing units composite housings are lubricated for life. SKF does not recommend relubricating. If required units with relubrication fittings are available upon order. Please contact SKF for further details regarding delivery time and appropriate designations.



FYWK .. L.



ECL 2..



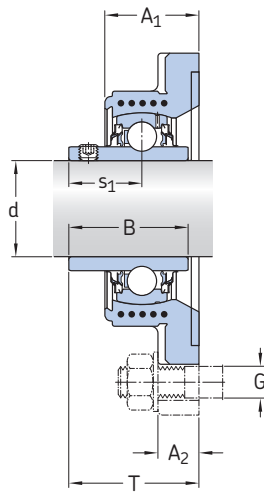
Designations Bearing unit	Separate components		Limiting speed with shaft tolerance	Mass Bearing unit	Appropriate cover	
	Housing	Bearing			Designation End cover closed	Dimension A ₅
			h6			
			r/min	kg	-	mm
FYWK 20 YTA	FYWK 504 Y	YAR 204-2RF/VE495	5 000	0,29	ECW 204	26
FYWK 25 YTA	FYWK 505 Y	YAR 205-2RF/VE495	4 300	0,36	ECW 205	25,5
FYWK 30 YTA	FYWK 506 Y	YAR 206-2RF/VE495	3 800	0,5	ECW 206	30,5
FYWK 35 YTA	FYWK 507 Y	YAR 207-2RF/VE495	3 200	0,74	ECW 207	32
FYWK 40 YTA	FYWK 508 Y	YAR 208-2RF/VE495	2 800	0,97	ECW 208	33
FYWK 50 LTA	FYWK 510 L	YAR 210-2RF/VE495	2 200	1,25	ECL 210	42,7



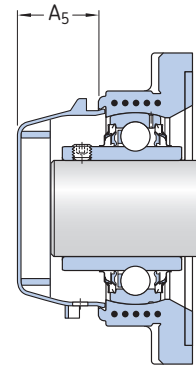
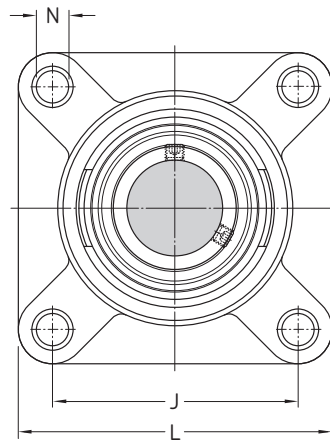
Composite SKF Food Line Y-bearing square flanged units stainless steel bearings, inch shafts

d $\frac{3}{4}$ – $1\frac{15}{16}$ in.

19,05 – 49,213 mm



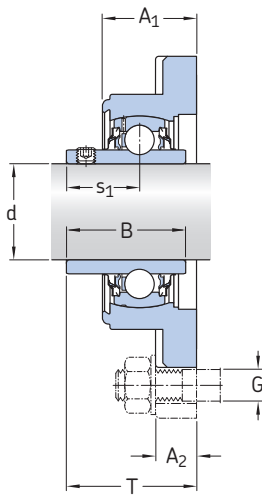
FYWK .. Y..



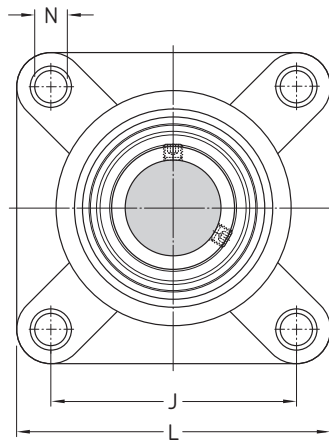
ECW 2..

Dimensions										Basic load ratings		Fatigue load limit	Designation
d	A ₁	A ₂	B	J	L	N	G	s ₁	T	C	C ₀	P _u	Bearing unit
in./mm										lbf/kN		lbf/kN	–
$\frac{3}{4}$ 19,05	1.18 30	0.59 15	1.22 31	2.5 63,5	3.39 86	0.47 11,9	$\frac{3}{8}$ 10	0.72 18,3	1.47 37,3	2 430 10,8	1 470 6,55	60 0,28	FYWK 3/4 YTH
1 25,4	1.22 31	0.59 15	1.34 34,1	2.76 70	3.74 95	0.47 11,9	$\frac{3}{8}$ 10	0.78 19,8	1.53 38,8	2 680 11,9	1 760 7,8	80 0,335	FYWK 1. YTH
$1\frac{3}{16}$ 30,163	1.30 33	0.6 15,3	1.5 38,1	3.25 82,5	4.25 108	0.47 11,9	$\frac{3}{8}$ 10	0.87 22,2	1.66 42,2	3 670 16,3	2 520 11,2	110 0,475	FYWK 1.3/16 YTH
$1\frac{1}{4}$ 31,75	1.30 33	0.6 15,3	1.5 38,1	3.25 82,5	4.25 108	0.47 11,9	$\frac{3}{8}$ 10	0.87 22,2	1.66 42,2	3 670 16,3	2 520 11,2	110 0,475	FYWK 1.1/4 AYTH
	1.38 35	0.67 17	1.69 42,9	3.62 92	4.65 118	0.56 14,3	$\frac{1}{2}$ 12	1 25,4	1.83 46,4	4 860 21,6	3 440 15,3	150 0,655	FYWK 1.1/4 YTH
$1\frac{3}{8}$ 34,925	1.38 35	0.67 17	1.69 42,9	3.62 92	4.65 118	0.56 14,3	$\frac{1}{2}$ 12	1 25,4	1.83 46,4	4 860 21,6	3 440 15,3	150 0,655	FYWK 1.3/8 YTH
$1\frac{7}{16}$ 36,513	1.38 35	0.67 17	1.69 42,9	3.62 92	4.65 118	0.56 14,3	$\frac{1}{2}$ 12	1 25,4	1.83 46,4	4 860 21,6	3 440 15,3	150 0,655	FYWK 1.7/16 YTH
$1\frac{1}{2}$ 38,1	1.54 39	0.67 17	1.94 49,2	4 101,5	5.12 130	0.56 14,3	$\frac{1}{2}$ 12	1.19 30,2	2.13 54,2	5 850 26	4 280 19	180 0,8	FYWK 1.1/2 YTH
$1\frac{15}{16}$ 49,213	1.69 43	0.83 21	2.03 51,6	4.37 111	5.63 143	0.67 17	$\frac{5}{8}$ 16	1.28 32,6	2.27 57,6	6 660 29,6	5 220 23,2	220 0,98	FYWK 1.15/16 LTHR

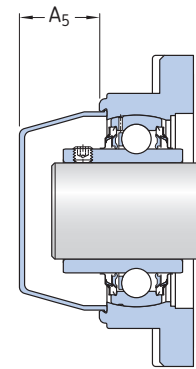
As standard SKF Food Line Y-bearing units composite housings are lubricated for life. SKF does not recommend relubricating. If required units with relubrication fittings are available upon order. Please contact SKF for further details regarding delivery time and appropriate designations.



FYWK .. L..



ECL 2..



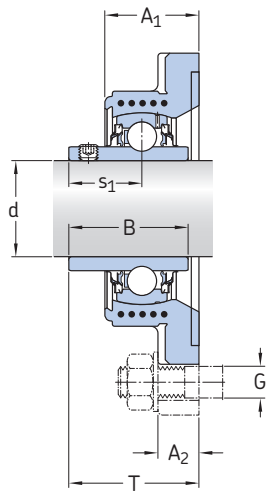
Designations Bearing unit	Separate components		Limiting speed with shaft tolerance h6	Mass Bearing unit lb/kg	Appropriate cover Designation End cover closed	Dimension A ₅ in./mm
	Housing	Bearing				
–			r/min		–	in./mm
FYWK 3/4 YTH	FYWK 504 Y	YAR 204-012-2RF/HV	5 000	0.64 0,29	ECW 204	1.02 26
FYWK 1. YTH	FYWK 505 Y	YAR 205-100-2RF/HV	4 300	0.79 0,36	ECW 205	1 25,5
FYWK 1.3/16 YTH	FYWK 506 Y	YAR 206-103-2RF/HV	3 800	1.1 0,5	ECW 206	1.2 30,5
FYWK 1.1/4 AYTH	FYWK 506 Y	YAR 206-104-2RF/HV	3 800	1.1 0,5	ECW 206	1.2 30,5
FYWK 1.1/4 YTH	FYWK 507 Y	YAR 207-104-2RF/HV	3 200	1.63 0,74	ECW 207	1.26 32
FYWK 1.3/8 YTH	FYWK 507 Y	YAR 207-106-2RF/HV	3 200	1.63 0,74	ECW 207	1.26 32
FYWK 1.7/16 YTH	FYWK 507 Y	YAR 207-107-2RF/HV	3 200	1.63 0,74	ECW 207	1.26 32
FYWK 1.1/2 YTH	FYWK 508 Y	YAR 208-108-2RF/HV	2 800	2.14 0,97	ECW 208	1.3 33
FYWK 1.15/16 LTHR	FYWK 510 L	YAR 210-115-2RFGR/HV	2 200	2.76 1,25	ECL 210	1.68 42,7



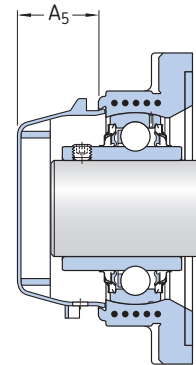
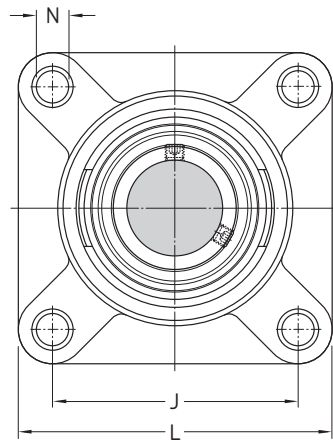
Composite SKF Food Line Y-bearing square flanged units zinc coated bearings, inch shafts

d $\frac{3}{4}$ – $1\frac{15}{16}$ in.

19,05 – 49,213 mm



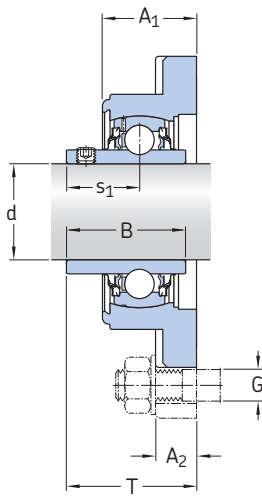
FYWK..Y..



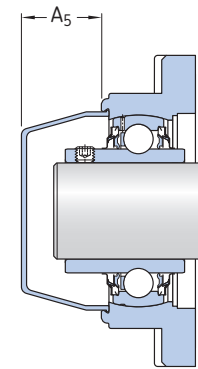
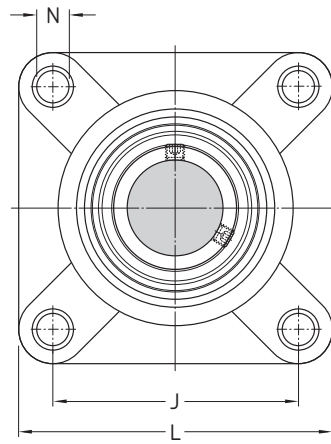
ECW 2..

Dimensions										Basic load ratings		Fatigue load limit	Designation
d	A ₁	A ₂	B	J	L	N	G	s ₁	T	C	C ₀	P _u	Bearing unit
in./mm										lbf/kN		lbf/kN	–
$\frac{3}{4}$ 19,05	1.18 30	0.59 15	1.22 31	2.5 63,5	3.39 86	0.47 11,9	$\frac{3}{8}$ 10	0.72 18,3	1.47 37,3	2 860 12,7	1 470 6,55	60 0,28	FYWK 3/4 YTA
$\frac{15}{16}$ 23,813	1.22 31	0.59 15	1.34 34,1	2.76 70	3.74 95	0.47 11,9	$\frac{3}{8}$ 10	0.78 19,8	1.53 38,8	3 150 14	1 760 7,8	80 0,335	FYWK 15/16 YTA
1 25,4	1.22 31	0.59 15	1.34 34,1	2.76 70	3.74 95	0.47 11,9	$\frac{3}{8}$ 10	0.78 19,8	1.53 38,8	3 150 14	1 760 7,8	80 0,335	FYWK 1. YTA
$1\frac{3}{16}$ 30,163	1.30 33	0.6 15,3	1.5 38,1	3.25 82,5	4.25 108	0.47 11,9	$\frac{3}{8}$ 10	0.87 22,2	1.66 42,2	4 390 19,5	2 520 11,2	110 0,475	FYWK 1.3/16 YTA
$1\frac{1}{4}$ 31,75	1.30 33	0.6 15,3	1.5 38,1	3.25 82,5	4.25 108	0.47 11,9	$\frac{3}{8}$ 10	0.87 22,2	1.66 42,2	4 390 19,5	2 520 11,2	110 0,475	FYWK 1.1/4 AYTA
	1.38 35	0.67 17	1.69 42,9	3.62 92	4.65 118	0.56 14,3	$\frac{1}{2}$ 12	1 25,4	1.83 46,4	5 740 25,5	3 440 15,3	150 0,655	FYWK 1.1/4 YTA
$1\frac{3}{8}$ 34,925	1.38 35	0.67 17	1.69 42,9	3.62 92	4.65 118	0.56 14,3	$\frac{1}{2}$ 12	1 25,4	1.83 46,4	5 740 25,5	3 440 15,3	150 0,655	FYWK 1.3/8 YTA
	1.38 35	0.67 17	1.69 42,9	3.62 92	4.65 118	0.56 14,3	$\frac{1}{2}$ 12	1 25,4	1.83 46,4	5 740 25,5	3 440 15,3	150 0,655	FYWK 1.7/16 YTA
$1\frac{1}{2}$ 38,1	1.54 39	0.67 17	1.94 49,2	4 101,5	5.12 130	0.56 14,3	$\frac{1}{2}$ 12	1.19 30,2	2.13 54,2	6 910 30,7	4 280 19	180 0,8	FYWK 1.1/2 YTA
$1\frac{15}{16}$ 49,213	1.69 43	0.83 21	2.03 51,6	4.37 111	5.63 143	0.67 17	$\frac{5}{8}$ 16	1.28 32,6	2.27 57,6	7 900 35,1	5 220 23,2	220 0,98	FYWK 1.15/16 LTA

As standard SKF Food Line Y-bearing units composite housings are lubricated for life. SKF does not recommend relubricating. If required units with relubrication fittings are available upon order. Please contact SKF for further details regarding delivery time and appropriate designations.



FYWK .. L..



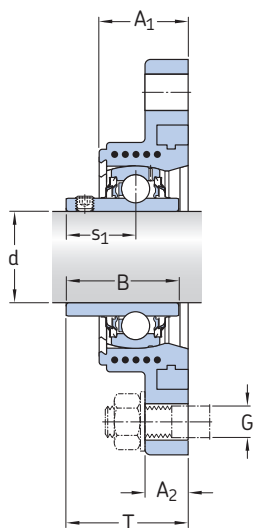
ECL 2..

Designations Bearing unit	Separate components		Limiting speed with shaft tolerance	Mass Bearing unit	Appropriate cover	
	Housing	Bearing			Designation End cover closed	Dimension A ₅
			h6			
			r/min	lb/kg	in./mm	
FYWK 3/4 YTA	FYWK 504 Y	YAR 204-012-2RF/VE495	5 000	0.64 0,29	ECW 204	1.02 26
FYWK 15/16 YTA	FYWK 505 Y	YAR 205-015-2RF/VE495	4 300	0.86 0,39	ECW 205	1 25,5
FYWK 1. YTA	FYWK 505 Y	YAR 205-100-2RF/VE495	4 300	0.79 0,36	ECW 205	1 25,5
FYWK 1.3/16 YTA	FYWK 506 Y	YAR 206-103-2RF/VE495	3 800	1.1 0,5	ECW 206	1.2 30,5
FYWK 1.1/4 AYTA	FYWK 506 Y	YAR 206-104-2RF/VE495	3 800	1.1 0,5	ECW 206	1.2 30,5
FYWK 1.1/4 YTA	FYWK 507 Y	YAR 207-104-2RF/VE495	3 200	1.63 0,74	ECW 207	1.26 32
FYWK 1.3/8 YTA	FYWK 507 Y	YAR 207-106-2RF/VE495	3 200	1.63 0,74	ECW 207	1.26 32
FYWK 1.7/16 YTA	FYWK 507 Y	YAR 207-107-2RF/VE495	3 200	1.63 0,74	ECW 207	1.26 32
FYWK 1.1/2 YTA	FYWK 508 Y	YAR 208-108-2RF/VE495	2 800	2.14 0,97	ECW 208	1.3 33
FYWK 1.15/16 LTA	FYWK 510 L	YAR 210-115-2RF/VE495	2 200	2.76 1,25	ECL 210	1.68 42,7

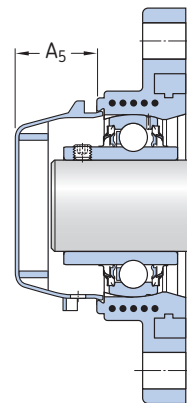
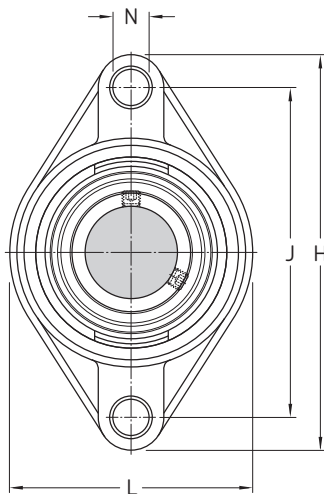


Composite SKF Food Line Y-bearing oval flanged units stainless steel bearings, metric shafts

d 20 – 50 mm



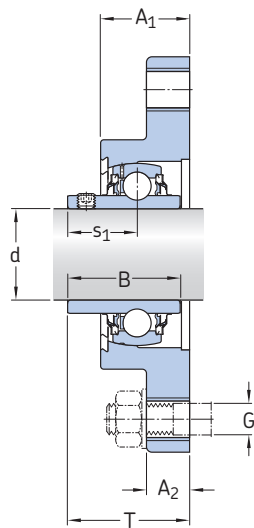
FYTWK.. Y..



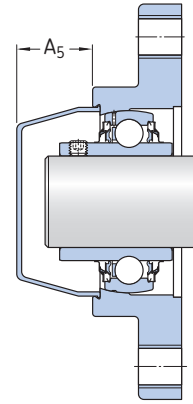
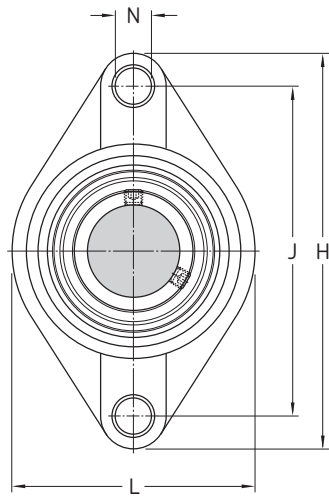
ECW 2..

Dimensions											Basic load ratings		Fatigue load limit	Designation
d	A ₁	A ₂	B	H	J	L	N	G	s ₁	T	C	C ₀	P _u	Bearing unit
mm											kN		kN	–
20	29,5	15	31	112	90	60,5	11,9	10	18,3	37,3	10,8	6,55	0,28	FYTWK 20 YTH
25	30	15	34,1	124	99	70	11,9	10	19,8	38,8	11,9	7,8	0,335	FYTWK 25 YTH
30	33	15	38,1	142,5	116,5	83	11,9	10	22,2	42,2	16,3	11,2	0,475	FYTWK 30 YTH
35	35	17	42,9	156	130	96	14,4	12	25,4	46,4	21,6	15,3	0,655	FYTWK 35 YTH
40	37,5	20	49,2	175	144	100	14	12	30,2	51,7	26	19	0,8	FYTWK 40 LTHR
50	43	21	51,6	197	157	115	17	16	32,6	57,6	29,6	23,2	0,98	FYTWK 50 LTHR

As standard SKF Food Line Y-bearing units composite housings are lubricated for life. SKF does not recommend relubricating. If required units with relubrication fittings are available upon order. Please contact SKF for further details regarding delivery time and appropriate designations.



FYTWK .. L..



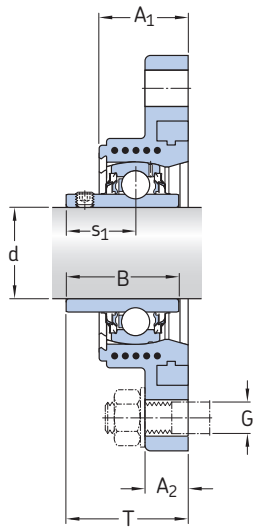
ECL 2..

Designations Bearing unit	Separate components		Limiting speed with shaft tolerance	Mass Bearing unit	Appropriate cover	
	Housing	Bearing			Designation	Dimension
			h6		End cover closed	A ₅
			r/min	kg		mm
FYTWK 20 YTH	FYTWK 504 Y	YAR 204-2RF/HV	5 000	0,24	ECW 204	26
FYTWK 25 YTH	FYTWK 505 Y	YAR 205-2RF/HV	4 300	0,29	ECW 205	26
FYTWK 30 YTH	FYTWK 506 Y	YAR 206-2RF/HV	3 800	0,44	ECW 206	30,5
FYTWK 35 YTH	FYTWK 507 Y	YAR 207-2RF/HV	3 200	0,61	ECW 207	32
FYTWK 40 LTHR	FYTWK 508 L	YAR 208-2RFGR/HV	2 800	0,87	ECL 208	33,5
FYTWK 50 LTHR	FYTWK 510 L	YAR 210-2RFGR/HV	2 200	1,20	ECL 210	42,3

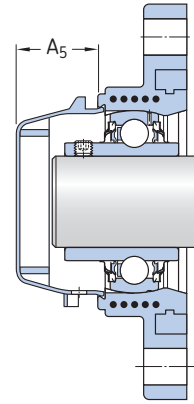
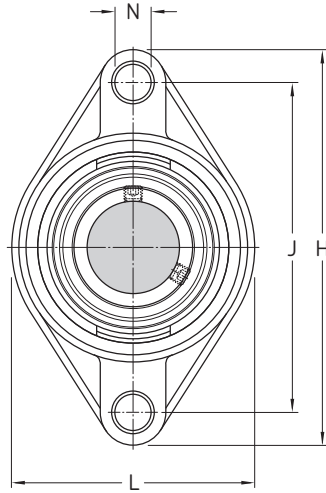


Composite SKF Food Line Y-bearing oval flanged units zinc coated bearings, metric shafts

d 20 – 50 mm



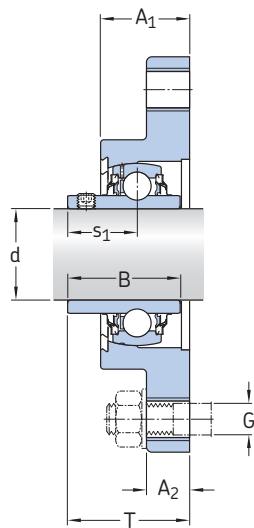
FYTWK..Y..



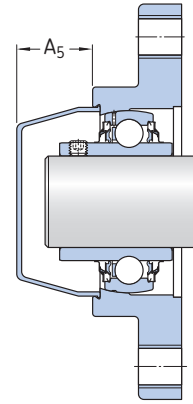
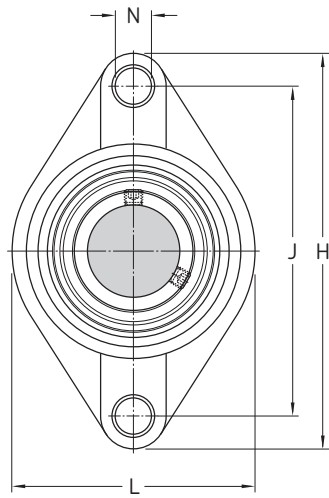
ECW 2..

Dimensions											Basic load ratings		Fatigue load limit	Designation
d	A ₁	A ₂	B	H	J	L	N	G	s ₁	T	C	C ₀	P _u	Bearing unit
mm											kN		kN	–
20	29,5	15	31	112	90	60,5	11,9	10	18,3	37,3	12,7	6,55	0,28	FYTWK 20 YTA
25	30	15	34,1	124	99	70	11,9	10	19,8	38,8	14	7,8	0,335	FYTWK 25 YTA
30	33	15	38,1	142,5	116,5	83	11,9	10	22,2	42,2	19,5	11,2	0,475	FYTWK 30 YTA
35	35	17	42,9	156	130	96	14,4	12	25,4	46,4	25,5	15,3	0,655	FYTWK 35 YTA
40	37,5	20	49,2	175	144	100	14	12	30,2	51,7	30,7	19	0,8	FYTWK 40 LTA
50	43	21	51,6	197	157	115	17	16	32,6	57,6	35,1	23,2	0,98	FYTWK 50 LTA

As standard SKF Food Line Y-bearing units composite housings are lubricated for life. SKF does not recommend relubricating. If required units with relubrication fittings are available upon order. Please contact SKF for further details regarding delivery time and appropriate designations.



FYTWK .. L..



ECL 2..

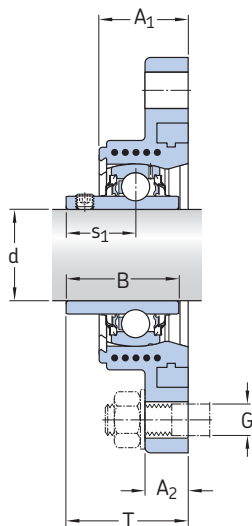
Designations Bearing unit	Separate components		Limiting speed with shaft tolerance	Mass Bearing unit	Appropriate cover	
	Housing	Bearing			Designation End cover closed	Dimension A ₅
			h6			
			r/min	kg	–	mm
FYTWK 20 YTA	FYTWK 504 Y	YAR 204-2RF/VE495	5 000	0,24	ECW 204	26
FYTWK 25 YTA	FYTWK 505 Y	YAR 205-2RF/VE495	4 300	0,29	ECW 205	26
FYTWK 30 YTA	FYTWK 506 Y	YAR 206-2RF/VE495	3 800	0,44	ECW 206	30,5
FYTWK 35 YTA	FYTWK 507 Y	YAR 207-2RF/VE495	3 200	0,61	ECW 207	32
FYTWK 40 LTA	FYTWK 508 L	YAR 208-2RF/VE495	2 800	0,87	ECL 208	33,5
FYTWK 50 LTA	FYTWK 510 L	YAR 210-2RF/VE495	2 200	1,2	ECL 210	42,3



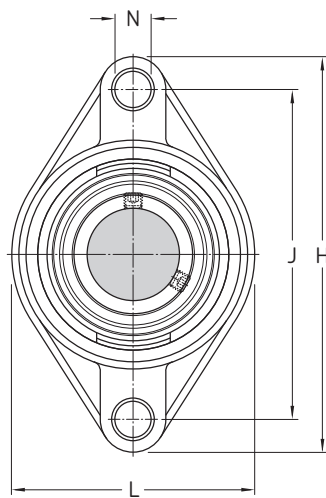
Composite SKF Food Line Y-bearing oval flanged units stainless steel bearings, inch shafts

d $\frac{3}{4}$ – $1\frac{15}{16}$ in.

19,05 – 49,213 mm



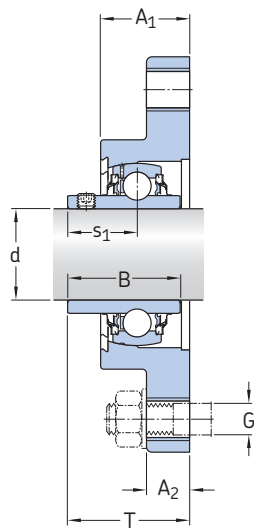
FYTWK.. Y..



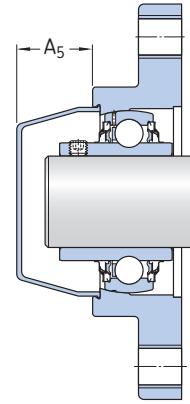
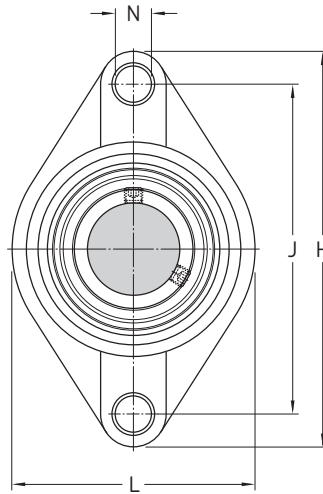
ECW 2..

Dimensions											Basic load ratings		Fatigue	Designation
d	A ₁	A ₂	B	H	J	L	N	G	s ₁	T	dynamic	static	load limit	Bearing unit
in./mm											lbf/kN		lbf/kN	–
$\frac{3}{4}$ 19,05	1.16 29,5	0.59 15	1.22 31	4.41 112	3.54 90	2.38 60,5	0.47 11,9	$\frac{3}{8}$ 10	0.72 18,3	1.47 37,3	2 430 10,8	1 470 6,55	60 0,28	FYTWK 3/4 YTH
1 25,4	1.18 30	0.59 15	1.34 34,1	4.88 124	3.9 99	2.76 70	0.47 11,9	$\frac{3}{8}$ 10	0.78 19,8	1.53 38,8	2 680 11,9	1 760 7,8	80 0,335	FYTWK 1. YTH
$1\frac{3}{16}$ 30,163	1.3 33	0.59 15	1.5 38,1	5.61 142,5	4.59 116,5	3.27 83	0.47 11,9	$\frac{3}{8}$ 10	0.87 22,2	1.66 42,2	3 670 16,3	2 520 11,2	110 0,475	FYTWK 1.3/16 YTH
$1\frac{1}{4}$ 31,75	1.3 33	0.59 15	1.5 38,1	5.61 142,5	4.59 116,5	3.27 83	0.47 11,9	$\frac{3}{8}$ 10	0.87 22,2	1.66 42,2	3 670 16,3	2 520 11,2	110 0,475	FYTWK 1.1/4 AYTH
	1.38 35	0.67 17	1.69 42,9	6.14 156	5.12 130	3.78 96	0.57 14,4	$\frac{1}{2}$ 12	1 25,4	1.83 46,4	4 860 21,6	3 440 15,3	150 0,655	FYTWK 1.1/4 YTH
$1\frac{3}{8}$ 34,925	1.38 35	0.67 17	1.69 42,9	6.14 156	5.12 130	3.78 96	0.57 14,4	$\frac{1}{2}$ 12	1 25,4	1.83 46,4	4 860 21,6	3 440 15,3	150 0,655	FYTWK 1.3/8 YTH
$1\frac{7}{16}$ 36,513	1.38 35	0.67 17	1.69 42,9	6.14 156	5.12 130	3.78 96	0.57 14,4	$\frac{1}{2}$ 12	1 25,4	1.83 46,4	4 860 21,6	3 440 15,3	150 0,655	FYTWK 1.7/16 YTH
$1\frac{1}{2}$ 38,1	1.48 37,5	0.79 20	1.94 49,2	6.89 175	5.67 144	3.94 100	0.55 14	$\frac{1}{2}$ 12	1.19 30,2	2.04 51,7	5 850 26	4 280 19	180 0,8	FYTWK 1.1/2 LTHR
$1\frac{15}{16}$ 49,213	1.69 43	0.83 21	2.03 51,6	7.76 197	6.18 157	4.53 115	0.67 17	$\frac{5}{8}$ 16	1.28 32,6	2.27 57,6	6 660 29,6	5 220 23,2	220 0,98	FYTWK 1.15/16 LTHR

As standard SKF Food Line Y-bearing units composite housings are lubricated for life. SKF does not recommend relubricating. If required units with relubrication fittings are available upon order. Please contact SKF for further details regarding delivery time and appropriate designations.



FYTWK .. L..



ECL 2..

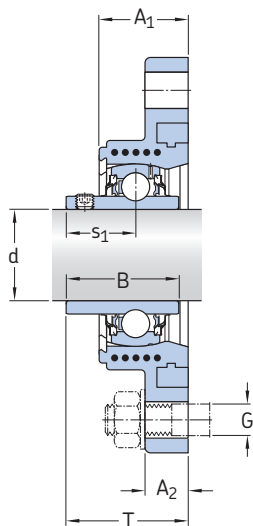
Designations Bearing unit	Separate components		Limiting speed with shaft tolerance h6	Mass Bearing unit lb/kg	Appropriate cover Designation End cover closed	Dimension A ₅ in./mm
	Housing	Bearing				
–			r/min		–	in./mm
FYTWK 3/4 YTH	FYTWK 504 Y	YAR 204-012-2RF/HV	5 000	0.53 0,24	ECW 204	1.02 26
FYTWK 1. YTH	FYTWK 505 Y	YAR 205-100-2RF/HV	4 300	0.64 0,29	ECW 205	1.02 26
FYTWK 1.3/16 YTH	FYTWK 506 Y	YAR 206-103-2RF/HV	3 800	0.97 0,44	ECW 206	1.2 30,5
FYTWK 1.1/4 AYTH	FYTWK 506 Y	YAR 206-104-2RF/HV	3 800	0.97 0,44	ECW 206	1.2 30,5
FYTWK 1.1/4 YTH	FYTWK 507 Y	YAR 207-104-2RF/HV	3 200	1.34 0,61	ECW 207	1.26 32
FYTWK 1.3/8 YTH	FYTWK 507 Y	YAR 207-106-2RF/HV	3 200	1.34 0,61	ECW 207	1.26 32
FYTWK 1.7/16 YTH	FYTWK 507 Y	YAR 207-107-2RF/HV	3 200	1.34 0,61	ECW 207	1.26 32
FYTWK 1.1/2 LTHR	FYTWK 508 L	YAR 208-108-2RFGR/HV	2 800	1.74 0,79	ECL 208	1.32 33,5
FYTWK 1.15/16 LTHR	FYTWK 510 L	YAR 210-115-2RFGR/HV	2 200	2.64 1,2	ECL 210	1.67 42,3



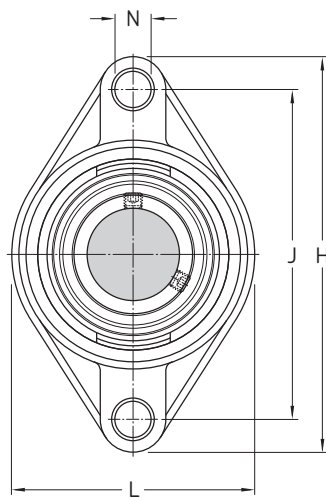
Composite SKF Food Line Y-bearing oval flanged units zinc coated bearings, inch shafts

d $\frac{3}{4}$ – $1\frac{15}{16}$ in.

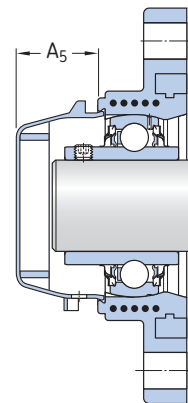
19,05 – 49,213 mm



FYTWK.. Y.



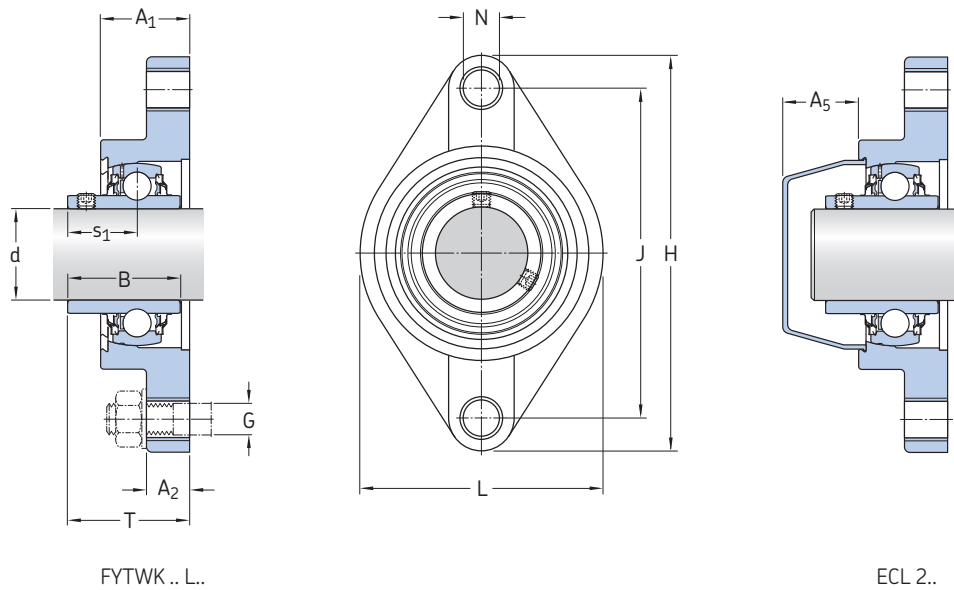
ECW 2..



Dimensions

d	A ₁	A ₂	B	H	J	L	N	G	s ₁	T	Basic load ratings		Fatigue	Designation
											dynamic	static	load limit	Bearing unit
											C	C ₀	P _u	
in./mm											lbf/kN		lbf/kN	–
$\frac{3}{4}$ 19,05	1.16 29,5	0.59 15	1.22 31	4.41 112	3.54 90	2.38 60,5	0.47 11,9	$\frac{3}{8}$ 10	0.72 18,3	1.47 37,3	2 860 12,7	1 470 6,55	60 0,28	FYTWK 3/4 YTA
$\frac{15}{16}$ 23,813	1.18 30	0.59 15	1.34 34,1	4.88 124	3.9 99	2.76 70	0.47 11,9	$\frac{3}{8}$ 10	0.78 19,8	1.53 38,8	3 150 14	1 760 7,8	80 0,335	FYTWK 15/16 YTA
1 25,4	1.18 30	0.59 15	1.34 34,1	4.88 124	3.9 99	2.76 70	0.47 11,9	$\frac{3}{8}$ 10	0.78 19,8	1.53 38,8	3 150 14	1 760 7,8	80 0,335	FYTWK 1. YTA
$1\frac{1}{16}$ 30,163	1.3 33	0.59 15	1.5 38,1	5.61 142,5	4.59 116,5	3.27 83	0.47 11,9	$\frac{3}{8}$ 10	0.87 22,2	1.66 42,2	4 390 19,5	2 520 11,2	110 0,475	FYTWK 1.3/16 YTA
$1\frac{1}{4}$ 31,75	1.3 33	0.59 15	1.5 38,1	5.61 142,5	4.59 116,5	3.27 83	0.47 11,9	$\frac{3}{8}$ 10	0.87 22,2	1.66 42,2	4 390 19,5	2 520 11,2	110 0,475	FYTWK 1.1/4 AYTA
	1.38 35	0.67 17	1.69 42,9	6.14 156	5.12 130	3.78 96	0.57 14,4	$\frac{1}{2}$ 12	1 25,4	1.83 46,4	5 740 25,5	3 440 15,3	150 0,655	FYTWK 1.1/4 YTA
$1\frac{3}{8}$ 34,925	1.38 35	0.67 17	1.69 42,9	6.14 156	5.12 130	3.78 96	0.57 14,4	$\frac{1}{2}$ 12	1 25,4	1.83 46,4	5 740 25,5	3 440 15,3	150 0,655	FYTWK 1.3/8 YTA
	1.38 35	0.67 17	1.69 42,9	6.14 156	5.12 130	3.78 96	0.57 14,4	$\frac{1}{2}$ 12	1 25,4	1.83 46,4	5 740 25,5	3 440 15,3	150 0,655	FYTWK 1.7/16 YTA
$1\frac{1}{2}$ 38,1	1.48 37,5	0.79 20	1.94 49,2	6.89 175	5.67 144	3.94 100	0.55 14	$\frac{1}{2}$ 12	1.19 30,2	2.04 51,7	6 910 30,7	4 280 19	180 0,8	FYTWK 1.1/2 LTA
$1\frac{15}{16}$ 49,213	1.69 43	0.83 21	2.03 51,6	7.76 197	6.18 157	4.53 115	0.67 17	$\frac{5}{8}$ 16	1.28 32,6	2.27 57,6	7 900 35,1	5 220 23,2	220 0,98	FYTWK 1.15/16 LTA

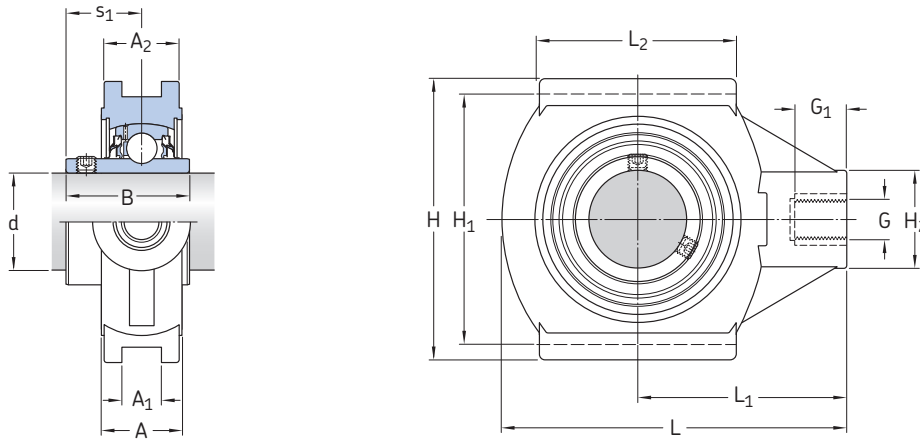
As standard SKF Food Line Y-bearing units composite housings are lubricated for life. SKF does not recommend relubricating. If required units with relubrication fittings are available upon order. Please contact SKF for further details regarding delivery time and appropriate designations.



Designations Bearing unit	Separate components		Limiting speed with shaft tolerance	Mass Bearing unit	Appropriate cover	
	Housing	Bearing			Designation End cover closed	Dimension A ₅
			h6			
			r/min	lb/kg	in./mm	
FYTWK 3/4 YTA	FYTWK 504 Y	YAR 204-012-2RF/VE495	5 000	0.53 0,24	ECW 204	1.02 26
FYTWK 15/16 YTA	FYTWK 505 Y	YAR 205-015-2RF/VE495	4 300	0.71 0,32	ECW 205	1.02 26
FYTWK 1. YTA	FYTWK 505 Y	YAR 205-100-2RF/VE495	4 300	0.64 0,29	ECW 205	1.02 26
FYTWK 1.3/16 YTA	FYTWK 506 Y	YAR 206-103-2RF/VE495	3 800	0.97 0,44	ECW 206	1.2 30,5
FYTWK 1.1/4 AYTA	FYTWK 506 Y	YAR 206-104-2RF/VE495	3 800	0.97 0,44	ECW 206	1.2 30,5
FYTWK 1.1/4 YTA	FYTWK 507 Y	YAR 207-104-2RF/VE495	3 200	1.34 0,61	ECW 207	1.26 32
FYTWK 1.3/8 YTA	FYTWK 507 Y	YAR 207-106-2RF/VE495	3 200	1.34 0,61	ECW 207	1.26 32
FYTWK 1.7/16 YTA	FYTWK 507 Y	YAR 207-107-2RF/VE495	3 200	1.34 0,61	ECW 207	1.26 32
FYTWK 1.1/2 LTA	FYTWK 508 L	YAR 208-108-2RF/VE495	2 800	1.74 0,79	ECL 208	1.32 33,5
FYTWK 1.15/16 LTA	FYTWK 510 L	YAR 210-115-2RF/VE495	2 200	2.65 1,2	ECL 210	1.67 42,3

Composite SKF Food Line Y-bearing take up units stainless steel bearings, metric shafts

d 20 – 50 mm



Dimensions

d	Dimensions													Basic load ratings		Fatigue load limit	Designation
	A	A ₁	A ₂	B	H	H ₁	H ₂	L	L ₁	L ₂	G	G ₁	s ₁	C	C ₀	P _u	Bearing unit
mm														kN	kN	–	
20	27,5	12	24,5	31	89	76	36	99	64	46	M 16	21	18,3	10,8	6,55	0,28	TUWK 20 LTHR
25	27,5	12	24,5	34,1	89	76	36	99	64	46	M 16	21	19,8	11,9	7,8	0,335	TUWK 25 LTHR
30	34	12	30	38,1	102,5	89	40	125	76	63,5	M 16	21	22,2	16,3	11,2	0,475	TUWK 30 LTHR
35	34	12	30	42,9	102,5	89	40	125	76	63,5	M 16	21	25,4	21,6	15,3	0,655	TUWK 35 LTHR
40	34	16	32	49,2	114	102	40	140	85	80	M 16	21	30,2	26	19	0,8	TUWK 40 LTHR
50	38	16	36	51,6	117	102	50	149	90	85,5	M 20	25	32,6	29,6	23,2	0,98	TUWK 50 LTHR

SKF Food Line Y-bearing units composite housings are lubricated for life. SKF does not recommend relubricating. If required units with relubrication fittings are available upon order. Please contact SKF for further details regarding delivery time and appropriate designations.

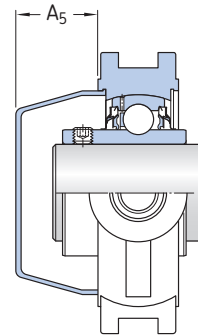
Composite SKF Food Line Y-bearing take up units zinc coated bearings, metric shafts

d 20 – 50 mm

Dimensions

d	Dimensions													Basic load ratings		Fatigue load limit	Designation
	A	A ₁	A ₂	B	H	H ₁	H ₂	L	L ₁	L ₂	G	G ₁	s ₁	C	C ₀	P _u	Bearing unit
mm														kN	kN	–	
20	27,5	12	24,5	31	89	76	36	99	64	46	M 16	21	18,3	12,7	6,55	0,28	TUWK 20 LTA
25	27,5	12	24,5	34,1	89	76	36	99	64	46	M 16	21	19,8	14	7,8	0,335	TUWK 25 LTA
30	34	12	30	38,1	102,5	89	40	125	76	63,5	M 16	21	22,2	19,5	11,2	0,475	TUWK 30 LTA
35	34	12	30	42,9	102,5	89	40	125	76	63,5	M 16	21	25,4	25,5	15,3	0,655	TUWK 35 LTA
40	34	16	32	49,2	114	102	40	140	85	80	M 16	21	30,2	30,7	19	0,8	TUWK 40 LTA
50	38	16	36	51,6	117	102	50	149	90	85,5	M 20	25	32,6	35,1	23,2	0,98	TUWK 50 LTA

As standard SKF Food Line Y-bearing units composite housings are lubricated for life. SKF does not recommend relubricating. If required units with relubrication fittings are available upon order. Please contact SKF for further details regarding delivery time and appropriate designations.



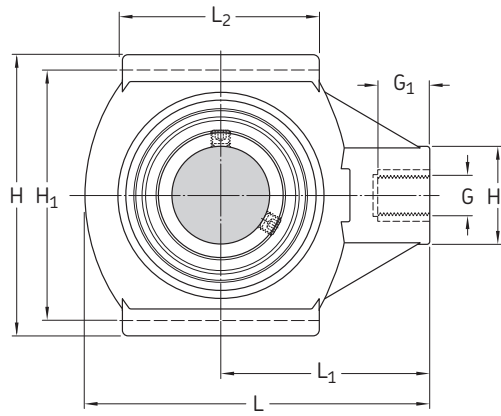
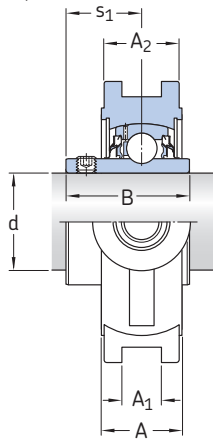
Designations Bearing unit	Separate components		Limiting speed with shaft tolerance	Mass Bearing unit	Appropriate cover Designation	Dimension A ₅
	Housing	Bearing				
			h6			
			r/min	kg	–	mm
TUWK 20 LTHR	TUWK 504 L	YAR 204-2RFGR/HV	5 000	0,33	ECL 204	20,3
TUWK 25 LTHR	TUWK 505 L	YAR 205-2RFGR/HV	4 300	0,38	ECL 205	22,3
TUWK 30 LTHR	TUWK 506 L	YAR 206-2RFGR/HV	3 800	0,61	ECL 206	26,5
TUWK 35 LTHR	TUWK 507 L	YAR 207-2RFGR/HV	3 200	0,74	ECL 207	28,2
TUWK 40 LTHR	TUWK 508 L	YAR 208-2RFGR/HV	2 800	0,89	ECL 208	33,6
TUWK 50 LTHR	TUWK 510 L	YAR 210-2RFGR/HV	2 200	1,14	ECL 210	43

Designations Bearing unit	Separate components		Limiting speed with shaft tolerance	Mass Bearing unit	Appropriate cover Designation	Dimension A ₅
	Housing	Bearing				
			h6			
			r/min	kg	–	mm
TUWK 20 LTA	TUWK 504 L	YAR 204-2RF/VE495	5 000	0,33	ECL 204	20,3
TUWK 25 LTA	TUWK 505 L	YAR 205-2RF/VE495	4 300	0,38	ECL 205	22,3
TUWK 30 LTA	TUWK 506 L	YAR 206-2RF/VE495	3 800	0,61	ECL 206	26,5
TUWK 35 LTA	TUWK 507 L	YAR 207-2RF/VE495	3 200	0,74	ECL 207	28,2
TUWK 40 LTA	TUWK 508 L	YAR 208-2RF/VE495	2 800	0,89	ECL 208	33,6
TUWK 50 LTA	TUWK 510 L	YAR 210-2RF/VE495	2 200	1,14	ECL 210	43

Composite SKF Food Line Y-bearing take up units stainless steel bearings, inch shafts

d 3/4 – 1 15/16 in.

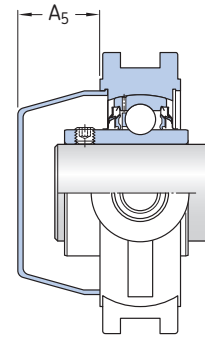
19,05 – 49,213 mm



Dimensions

d	A	A ₁	A ₂	B	H	H ₁	H ₂	L	L ₁	L ₂	G	G ₁	s ₁	Basic load ratings		Fatigue load limit P _u	Designation Bearing unit
														dynamic	static		
in./mm														lbf/kN	lbf/kN	–	
3/4	1.08	0.47	0.96	1.22	3.5	2.99	1.42	3.9	2.52	1.81	M 16	0.83	0.72	2 430	1 470	60	TUWK 3/4 LTHR
19,05	27,5	12	24,5	31	89	76	36	99	64	46	M 16	21	18,3	10,8	6,55	0,28	
1	1.08	0.47	0.96	1.34	3.5	2.99	1.42	3.9	2.52	1.81	M 16	0.83	0.78	2 680	1 760	80	TUWK 1. LTHR
25,4	27,5	12	24,5	34,1	89	76	36	99	64	46	M 16	21	19,8	11,9	7,8	0,335	
1 3/16	1.34	0.47	1.18	1.5	4.04	3.5	1.57	4.92	2.99	2.5	M 16	0.83	0.87	3 670	2 520	110	TUWK 1.3/16 LTHR
30,163	34	12	30	38,1	102,5	89	40	125	76	63,5	M 16	21	22,2	16,3	11,2	0,475	
1 1/4	1.34	0.47	1.18	1.69	4.04	3.5	1.57	4.92	2.99	2.5	M 16	0.83	1.00	4 860	3 440	110	TUWK 1.1/4 ALTHR
31,75	34	12	30	42,9	102,5	89	40	125	76	63,5	M 16	21	25,4	21,6	15,3	0,655	
	1.34	0.47	1.18	1.69	4.04	3.5	1.57	4.92	2.99	2.5	M 16	0.83	1.00	4 860	3 440	110	TUWK 1.1/4 LTHR
	34	12	30	42,9	102,5	89	40	125	76	63,5	M 16	21	25,4	21,6	15,3	0,655	
1 3/8	1.34	0.47	1.18	1.69	4.04	3.5	1.57	4.92	2.99	2.5	M 16	0.83	1.00	4 860	3 440	110	TUWK 1.3/8 LTHR
34,925	34	12	30	42,9	102,5	89	40	125	76	63,5	M 16	21	25,4	21,6	15,3	0,655	
1 7/16	1.34	0.47	1.18	1.69	4.04	3.5	1.57	4.92	2.99	2.5	M 16	0.83	1.00	4 860	3 440	110	TUWK 1.7/16 LTHR
36,513	34	12	30	42,9	102,5	89	40	125	76	63,5	M 16	21	25,4	21,6	15,3	0,655	
1 1/2	1.34	0.63	1.26	1.94	4.49	4.01	1.57	5.51	3.35	3.15	M 16	0.83	1.19	5 850	4 280	180	TUWK 1.1/2 LTHR
38,1	34	16	32	49,2	114	102	40	140	85	80	M 16	21	30,2	26	19	0,8	
1 15/16	1.5	0.63	1.42	2.03	4.61	4.01	1.97	5.86	3.54	3.37	M 20	0.98	1.28	6 060	5 220	220	TUWK 1.15/16 LTHR
49,213	38	16	36	51,6	117	102	50	149	90	85,5	M 20	25	32,6	29,6	23,2	0,98	

As standard SKF Food Line Y-bearing units composite housings are lubricated for life. SKF does not recommend relubricating. If required units with relubrication fittings are available upon order. Please contact SKF for further details regarding delivery time and appropriate designations.

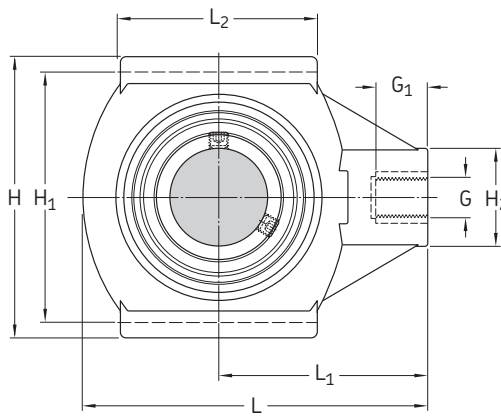
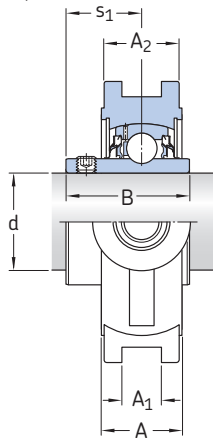


Designations Bearing unit	Separate components		Limiting speed with shaft tolerance	Mass Bearing unit	Appropriate cover	
	Housing	Bearing			Designation	Dimension
			h6		A ₅	
			r/min	lb/kg	-	in./mm
TUWK 3/4 LTHR	TUWK 504 L	YAR 204-012-2RFGR/HV	5 000	0,77 0,35	ECL 204	0.8 20,3
TUWK 1. LTHR	TUWK 505 L	YAR 205-100-2RFGR/HV	4 300	0,86 0,39	ECL 205	0.87 22,3
TUWK 1.3/16 LTHR	TUWK 506 L	YAR 206-103-2RFGR/HV	3 800	1,34 0,61	ECL 206	1.04 26,5
TUWK 1.1/4 ALTHR	TUWK 506 L	YAR 206-104-2RFGR/HV	3 800	1,34 0,61	ECL 206	1.04 26,5
TUWK 1.1/4 LTHR	TUWK 507 L	YAR 207-104-2RFGR/HV	3 200	1,85 0,84	ECL 207	1.11 28,2
TUWK 1.3/8 LTHR	TUWK 507 L	YAR 207-106-2RFGR/HV	3 200	1,62 0,74	ECL 207	1.11 28,2
TUWK 1.7/16 LTHR	TUWK 507 L	YAR 207-107-2RFGR/HV	3 200	1,68 0,76	ECL 207	1.11 28,2
TUWK 1.1/2 LTHR	TUWK 508 L	YAR 208-108-2RFGR/HV	2 800	1,96 0,89	ECL 208	1.32 33,6
TUWK 1.15/16 LTHR	TUWK 510 L	YAR 210-115-2RFGR/HV	2 200	2,71 1,23	ECL 210	1.69 43

Composite SKF Food Line Y-bearing take up units zinc coated bearings, inch shafts

d 3/4 – 1 15/16 in.

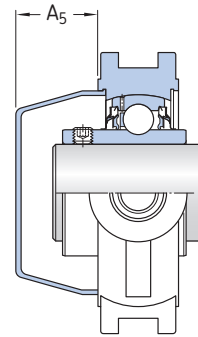
19,05 – 49,213 mm



Dimensions

d	Dimensions													Basic load ratings		Fatigue load limit P _u	Designation Bearing unit
	A	A ₁	A ₂	B	H	H ₁	H ₂	L	L ₁	L ₂	G	G ₁	s ₁	dynamic	static		
in./mm														lbf/kN		lbf/kN	–
3/4 19,05	1.08 27,5	0.47 12	0.96 24,5	1.22 31	3.5 89	2.99 76	1.42 36	3.9 99	2.52 64	1.81 46	M 16 M 16	0.83 21	0.72 18,3	2 860 12,7	1 470 6,55	60 0,28	TUWK 3/4 LTA
15/16 23,81	1.08 27,5	0.47 12	0.96 24,5	1.34 34,1	3.5 89	2.99 76	1.42 36	3.9 99	2.52 64	1.81 46	M 16 M 16	0.83 21	0.78 19,8	3 150 14	1 760 7,8	80 0,335	TUWK 15/16 LTA
1 25,4	1.08 27,5	0.47 12	0.96 24,5	1.34 34,1	3.5 89	2.99 76	1.42 36	3.9 99	2.52 64	1.81 46	M 16 M 16	0.83 21	0.78 19,8	3 150 14	1 760 7,8	80 0,335	TUWK 1. LTA
1 3/16 30,163	1.34 34	0.47 12	1.18 30	1.5 38,1	4.04 102,5	3.5 89	1.57 40	4.92 125	2.99 76	2.5 63,5	M 16 M 16	0.83 21	0.87 22,2	4 390 19,5	2 520 11,2	110 0,475	TUWK 1.3/16 LTA
1 1/4 31,75	1.34 34	0.47 12	1.18 30	1.5 38,1	4.04 102,5	3.5 89	1.57 40	4.92 125	2.99 76	2.5 63,5	M 16 M 16	0.83 21	0.87 22,2	4 390 19,5	2 520 11,2	110 0,475	TUWK 1.1/4 ALTA
	1.34 34	0.47 12	1.18 30	1.69 42,9	4.04 102,5	3.5 89	1.57 40	4.92 125	2.99 76	2.5 63,5	M 16 M 16	0.83 21	1.00 25,4	5 740 25,5	3 440 15,3	150 0,655	TUWK 1.1/4 LTA
1 3/8 34,925	1.34 34	0.47 12	1.18 30	1.69 42,9	4.04 102,5	3.5 89	1.57 40	4.92 125	2.99 76	2.5 63,5	M 16 M 16	0.83 21	1.00 25,4	5 740 25,5	3 440 15,3	150 0,655	TUWK 1.3/8 LTA
1 7/16 36,513	1.34 34	0.47 12	1.18 30	1.69 42,9	4.04 102,5	3.5 89	1.57 40	4.92 125	2.99 76	2.5 63,5	M 16 M 16	0.83 21	1.00 25,4	5 740 25,5	3 440 15,3	150 0,655	TUWK 1.7/16 LTA
1 1/2 38,1	1.34 34	0.63 16	1.26 32	1.94 49,2	4.49 114	4.01 102	1.57 40	5.51 140	3.35 85	3.15 80	M 16 M 16	0.83 21	1.19 30,2	6 910 30,7	4 280 19	180 0,8	TUWK 1.1/2 LTA
1 15/16 49,213	1.5 38	0.63 16	1.38 36	2.03 51,6	4.61 117	4.01 102	1.97 50	5.86 149	3.54 90	3.37 85,5	M 20 M 20	0.98 25	1.28 32,6	7 900 35,1	5 220 23,2	220 0,98	TUWK 1.15/16 LTA

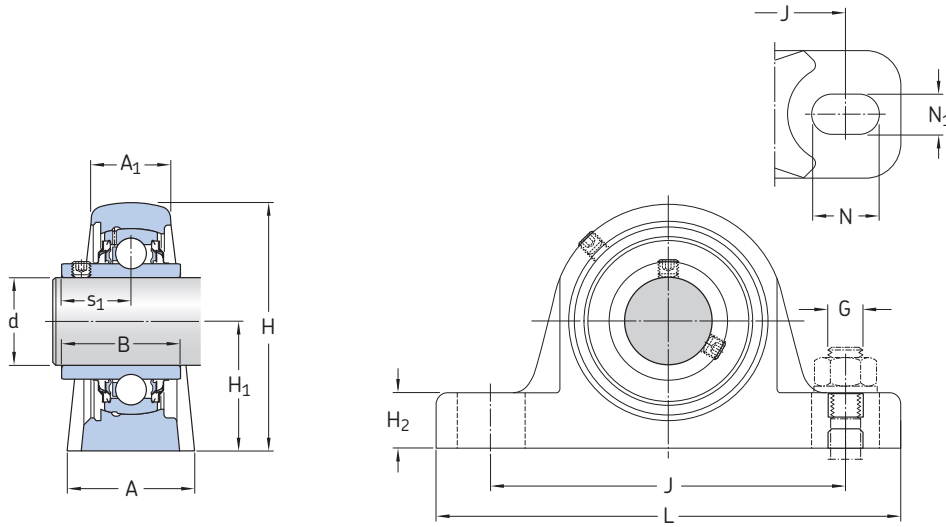
As standard SKF Food Line Y-bearing units composite housings are lubricated for life. SKF does not recommend relubricating. If required units with relubrication fittings are available upon order. Please contact SKF for further details regarding delivery time and appropriate designations.



Designations Bearing unit	Separate components		Limiting speed with shaft tolerance	Mass Bearing unit	Appropriate cover	
	Housing	Bearing			Designation	Dimension End cover closed A ₅
			h6			
			r/min	lb/kg	-	in./mm
TUWK 3/4 LTA	TUWK 504 L	YAR 204-012-2RF/VE495	5 000	0.77 0,35	ECL 204	0.8 20,3
TUWK 15/16 LTA	TUWK 505 L	YAR 205-015-2RF/VE495	4 300	0.9 0,41	ECL 205	0.87 22,3
TUWK 1. LTA	TUWK 505 L	YAR 205-100-2RF/VE495	4 300	0.86 0,39	ECL 205	0.87 22,3
TUWK 1.3/16 LTA	TUWK 506 L	YAR 206-103-2RF/VE495	3 800	1.34 0,61	ECL 206	1.04 26,5
TUWK 1.1/4 ALTA	TUWK 506 L	YAR 206-104-2RF/VE495	3 800	1.34 0,61	ECL 206	1.04 26,5
TUWK 1.1/4 LTA	TUWK 507 L	YAR 207-104-2RF/VE495	3 200	1.85 0,84	ECL 207	1.11 28,2
TUWK 1.3/8 LTA	TUWK 507 L	YAR 207-106-2RF/VE495	3 200	1.62 0,74	ECL 207	1.11 28,2
TUWK 1.7/16 LTA	TUWK 507 L	YAR 207-107-2RF/VE495	3 200	1.68 0,76	ECL 207	1.11 28,2
TUWK 1.1/2 LTA	TUWK 508 L	YAR 208-108-2RF/VE495	2 800	1.96 0,89	ECL 208	1.32 33,6
TUWK 1.15/16 LTA	TUWK 510 L	YAR 210-115-2RF/VE495	2 200	2.71 1,23	ECL 210	1.69 43

Stainless steel SKF Food Line Y-bearing plummer block units stainless steel bearings, metric shafts

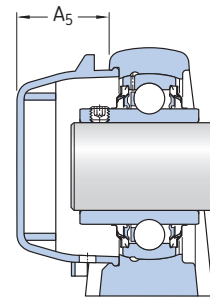
d 20 – 40 mm



Dimensions													Basic load ratings		Fatigue load limit	Designation
d	A	A ₁	B	H	H ₁	H ₂	J	L	N	N ₁	G	s ₁	C	C ₀	P _u	Bearing unit
mm													kN	kN	–	
20	31,7	23	31	63,5	33,3	13,9	96,8	127	21	11,5	10	18,3	10,8	6,55	0,28	SYWR 20 YTHR
25	36,5	24,5	34,1	69,9	36,5	15,9	101,7	133,3	19,5	11,5	10	19,8	11,9	7,8	0,335	SYWR 25 YTHR
30	39,7	28	38,1	82,1	42,9	16,7	117,5	152,4	23,8	14,3	12	22,2	16,3	11,2	0,475	SYWR 30 YTHR
35	44,4	29	42,9	92,9	47,6	19	126,2	160,4	21,5	14,3	12	25,4	21,6	15,3	0,655	SYWR 35 YTHR
40	47,6	33	49,2	99,2	49,2	19	135,7	174,6	24,6	14,3	12	30,2	26	19	0,8	SYWR 40 YTHR

Please contact your local sales office for availability.

As standard SKF Food Line Y-bearing units stainless steel housings are lubricated for life. SKF does not recommend relubricating. However, if required the regreasing can be done by removing the stainless steel set screw tightened into the housing body having a thread 1/4-28 UNF and replace with suitable grease nipple.



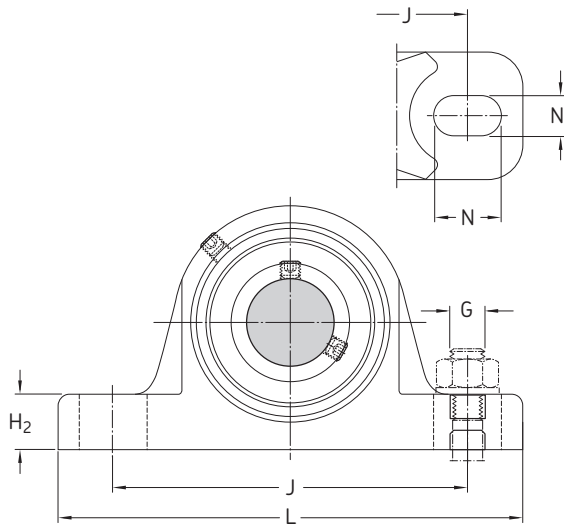
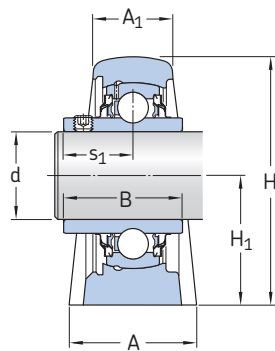
Designations Bearing unit	Separate components		Limiting speed with shaft tolerance	Mass Bearing unit	Appropriate cover Designation End cover closed	Dimension A ₅
	Housing	Bearing				
			h6			
			r/min	kg	-	mm
SYWR 20 YTHR	SYWR 504 Y	YAR 204-2RFGR/HV	5 000	0,6	ECW 204	25,2
SYWR 25 YTHR	SYWR 505 Y	YAR 205-2RFGR/HV	4 300	0,81	ECW 205	25,2
SYWR 30 YTHR	SYWR 506 Y	YAR 206-2RFGR/HV	3 800	1,22	ECW 206	29,5
SYWR 35 YTHR	SYWR 507 Y	YAR 207-2RFGR/HV	3 200	1,65	ECW 207	31,1
SYWR 40 YTHR	SYWR 508 Y	YAR 208-2RFGR/HV	2 800	1,99	ECW 208	30,6

Please contact your local sales office for availability.

Stainless steel SKF Food Line Y-bearing plummer block units stainless steel bearings, inch shafts

d 3/4 – 1 1/2 in.

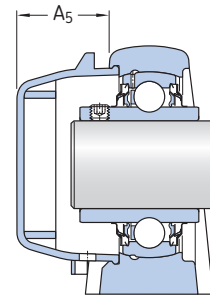
19,05 – 38,1 mm



Dimensions													Basic load ratings		Fatigue load limit	Designation
d	A	A ₁	B	H	H ₁	H ₂	J	L	N	N ₁	G	s ₁	C	C ₀	P _u	Bearing unit
in./mm													lbf/kN		lbf/kN	–
3/4 19,05	1.25 31,7	0.91 23	1.22 31	2.5 63,5	1.31 33,3	0.54 13,9	3.81 96,8	4.99 127	0.82 21	0.45 11,5	3/8 10	0.72 18,3	2 430 10,8	1 470 6,55	60 0,28	SYWR 3/4 YTHR
1 25,4	1.43 36,5	0.96 24,5	1.34 34,1	2.75 69,9	1.44 36,5	0.63 15,9	4 101,7	5.24 133,3	0.77 19,5	0.45 11,5	3/8 10	0.78 19,8	2 680 11,9	1 760 7,8	80 0,335	SYWR 1. YTHR
1 3/16 30,163	1.56 39,7	1.1 28	1.5 38,1	3.23 82,1	1.69 42,9	0.66 16,7	4.63 117,5	6 152,4	0.94 23,8	0.56 14,3	1/2 12	0.88 22,2	3 670 16,3	2 520 11,2	110 0,475	SYWR 1.3/16 YTHR
1 1/4 31,75	1.56 39,7	1.1 28	1.5 38,1	3.23 82,1	1.69 42,9	0.66 16,7	4.63 117,5	6 152,4	0.94 23,8	0.56 14,3	1/2 12	0.87 22,2	3 670 16,3	2 520 11,2	110 0,475	SYWR 1.1/4 AYTHR
	1.75 44,4	1.14 29	1.69 42,9	3.66 92,9	1.88 47,6	0.75 19	4.97 126,2	6.31 160,4	0.85 21,5	0.56 14,3	1/2 12	1 25,4	4 860 21,6	3 440 15,3	150 0,655	SYWR 1.1/4 YTHR
1 3/8 34,925	1.75 44,5	1.14 29	1.69 42,9	3.66 92,9	1.88 47,6	0.75 19	4.97 126,2	6.31 160,4	0.85 21,5	0.56 14,3	1/2 12	1 25,4	4 860 21,6	3 440 15,3	150 0,655	SYWR 1.3/8 YTHR
1 7/16 36,513	1.75 44,5	1.14 29	1.69 42,9	3.66 92,9	1.88 47,6	0.75 19	4.97 126,2	6.31 160,4	0.85 21,5	0.56 14,3	1/2 12	1 25,4	4 860 21,6	3 440 15,3	150 0,655	SYWR 1.7/16 YTHR
1 1/2 38,1	1.88 47,6	1.30 33	1.94 49,2	3.91 99,2	1.94 49,2	0.75 19	5.34 135,7	6.875 174,6	0.969 24,6	0.563 14,3	1/2 12	1.19 30,2	5 850 26	4 280 19	180 0,8	SYWR 1.1/2 YTHR

Please contact your local sales office for availability.

As standard SKF Food Line Y-bearing units stainless steel housings are lubricated for life. SKF does not recommend relubricating. However, if required the regreasing can be done by removing the stainless steel set screw tightened into the housing body having a thread 1/4-28 UNF and replace with suitable grease nipple.

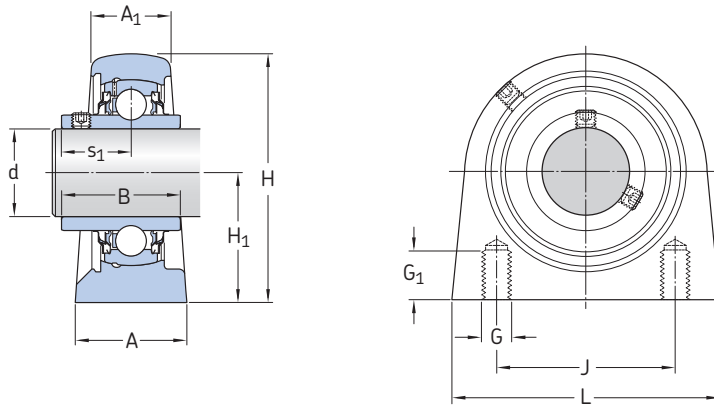


Designations Bearing unit	Separate components		Limiting speed with shaft tolerance h6	Mass Bearing unit lb/kg	Appropriate cover Designation End cover closed	Dimension A ₅ in./mm
	Housing	Bearing				
–			r/min		–	in./mm
SYWR 3/4 YTHR	SYWR 504 Y	YAR 204-012-2RFGR/HV	5 000	1.32 0,6	ECW 204	0.99 25,2
SYWR 1. YTHR	SYWR 505 Y	YAR 205-100-2RFGR/HV	4 300	1.79 0,81	ECW 205	0.99 25,2
SYWR 1.3/16 YTHR	SYWR 506 Y	YAR 206-103-2RFGR/HV	3 800	2.69 1,22	ECW 206	1.16 29,5
SYWR 1.1/4 AYTHR	SYWR 506 Y	YAR 206-104-2RFGR/HV	3 800	2.69 1,22	ECW 206	1.16 29,5
SYWR 1.1/4 YTHR	SYWR 507 Y	YAR 207-104-2RFGR/HV	3 200	3.64 1,65	ECW 207	1.22 31,1
SYWR 1.3/8 YTHR	SYWR 507 Y	YAR 207-106-2RFGR/HV	3 200	3.64 1,65	ECW 207	1.22 31,1
SYWR 1.7/16 YTHR	SYWR 507 Y	YAR 207-107-2RFGR/HV	3 200	3.64 1,65	ECW 207	1.22 31,1
SYWR 1.1/2 YTHR	SYWR 508 Y	YAR 208-108-2RFGR/HV	2 800	4.39 1,99	ECW 208	1.2 30,6

Please contact your local sales office for availability.

Stainless steel SKF Food Line Y-bearing short base plummer block units stainless steel bearings, metric shafts

d 20 – 40 mm

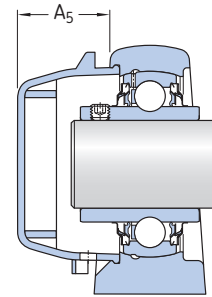


Dimensions

d	A	A ₁	B	H	H ₁	J	L	G	G ₁	s ₁	Basic load ratings		Fatigue load limit	Designation
											dynamic	static	P _u	Bearing unit
mm											kN		kN	–
20	28,6	23	31	63,5	33,3	50,8	66,7	M 10	13	18,3	10,8	6,55	0,28	SYFWR 20 YTHR
25	31,7	24,5	34,1	69,9	36,5	50,8	76,2	M 10	13	19,8	11,9	7,8	0,335	SYFWR 25 YTHR
30	38,1	28	38,1	82,6	42,9	76,2	98,4	M 10	16	22,2	16,3	11,2	0,475	SYFWR 30 YTHR
35	38,1	29	42,9	92,1	47,6	82,6	104,8	M 12	19	25,4	21,6	15,3	0,655	SYFWR 35 YTHR
40	41,3	33	49,2	100	49,2	88,9	114,3	M 12	19	30,2	26	19	0,8	SYFWR 40 YTHR

Please contact your local sales office for availability.

As standard SKF Food Line Y-bearing units stainless steel housings are lubricated for life. SKF does not recommend relubricating. However, if required the regreasing can be done by removing the stainless steel set screw tightened into the housing body having a thread 1/4-28 UNF and replace with suitable grease nipple.



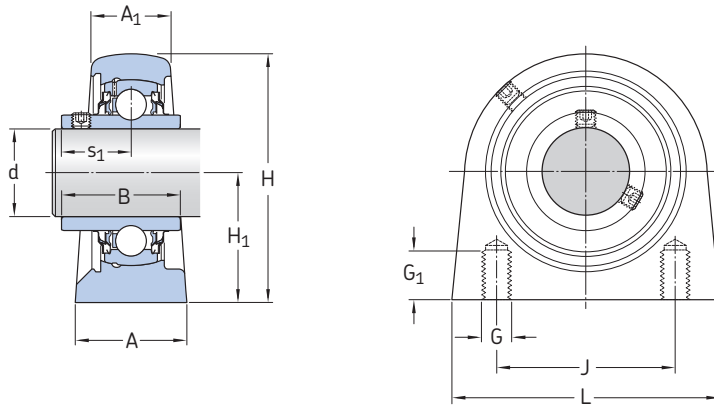
Designations Bearing unit	Separate components		Limiting speed with shaft tolerance h6	Mass Bearing unit	Appropriate cover	
	Housing	Bearing			Designation End cover closed	Dimension A ₅
-			r/min	kg	-	mm
SYFWR 20 YTHR	SYFWR 504 Y	YAR 204-2RFGR/HV	5 000	0,45	ECW 204	25,2
SYFWR 25 YTHR	SYFWR 505 Y	YAR 205-2RFGR/HV	4 300	0,6	ECW 205	25,3
SYFWR 30 YTHR	SYFWR 506 Y	YAR 206-2RFGR/HV	3 800	1,05	ECW 206	29,4
SYFWR 35 YTHR	SYFWR 507 Y	YAR 207-2RFGR/HV	3 200	1,27	ECW 207	31
SYFWR 40 YTHR	SYFWR 508 Y	YAR 208-2RFGR/HV	2 800	1,66	ECW 208	32

Please contact your local sales office for availability.

Stainless steel SKF Food Line Y-bearing plummer block units stainless steel bearings, inch shafts

d $\frac{3}{4}$ – $1\frac{1}{2}$ in.

19,05 – 38,1 mm

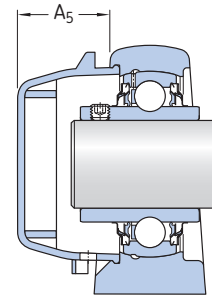


Dimensions

d	A	A ₁	B	H	H ₁	J	L	G	G ₁	s ₁	Basic load ratings		Fatigue load limit	Designation Bearing unit
											dynamic	static	static P _u	
in./mm								UNC	in./mm		lbf/kN		lbf/kN	–
$\frac{3}{4}$ 19,05	1.13 28,6	0.91 23	1.22 31	2.5 63,5	1.31 33,3	2 50,8	2.63 66,7	3/8-16	0.5 13	0.72 18,3	2 430 10,8	1 470 6,55	60 0,28	SYFWR 3/4 YZTHR
1 25,4	1.25 31,7	0.96 24,5	1.34 34,1	2.75 69,9	1.44 36,5	2 50,8	3 76,2	3/8-16	0.5 13	0.78 19,8	2 680 11,9	1 760 7,8	80 0,335	SYFWR 1. YZTHR
$1\frac{3}{16}$ 30,163	1.5 38,1	1.1 28	1.5 38,1	3.25 82,6	1.69 42,9	3 76,2	3.87 98,4	7/16-14	0.63 16	0.87 22,2	3 670 16,3	2 520 11,2	110 0,475	SYFWR 1.3/16 YZTHR
$1\frac{1}{4}$ 31,75	1.5 38,1	1.1 28	1.5 38,1	3.25 82,6	1.69 42,9	3 76,2	3.87 98,4	7/16-14	0.63 16	0.870 22,2	3 670 16,3	2 520 11,2	110 0,475	SYFWR 1.1/4 AYZTHR
	1.5 38,1	1.14 29	1.69 42,9	3.63 92,1	1.87 47,6	3.25 82,6	4.13 104,8	1/2-13	0.75 19	1 25,4	4 860 21,6	3 440 15,3	150 0,655	SYFWR 1.1/4 YZTHR
$1\frac{3}{8}$ 34,925	1.5 38,1	1.14 29	1.69 42,9	3.63 92,1	1.87 47,6	3.25 82,6	4.13 104,8	1/2-13	0.75 19	1 25,4	4 860 21,6	3 440 15,3	150 0,655	SYFWR 1.3/8 YZTHR
	$1\frac{7}{16}$ 36,513	1.5 38,1	1.14 29	1.69 42,9	3.63 92,1	1.87 47,6	3.25 82,6	1/2-13	0.75 19	1 25,4	4 860 21,6	3 440 15,3	150 0,655	SYFWR 1.7/16 YZTHR
$1\frac{1}{2}$ 38,1	1.63 41,3	1.3 33	1.94 49,2	3.94 100	1.94 49,2	3.5 88,9	4.5 114,3	1/2-13	0.75 19	1.19 30,2	5 850 26	4 280 19	180 0,8	SYFWR 1.1/2 YZTHR

Please contact your local sales office for availability.

As standard SKF Food Line Y-bearing units stainless steel housings are lubricated for life. SKF does not recommend relubricating. However, if required the regreasing can be done by removing the stainless steel set screw tightened into the housing body having a thread 1/4-28 UNF and replace with suitable grease nipple.

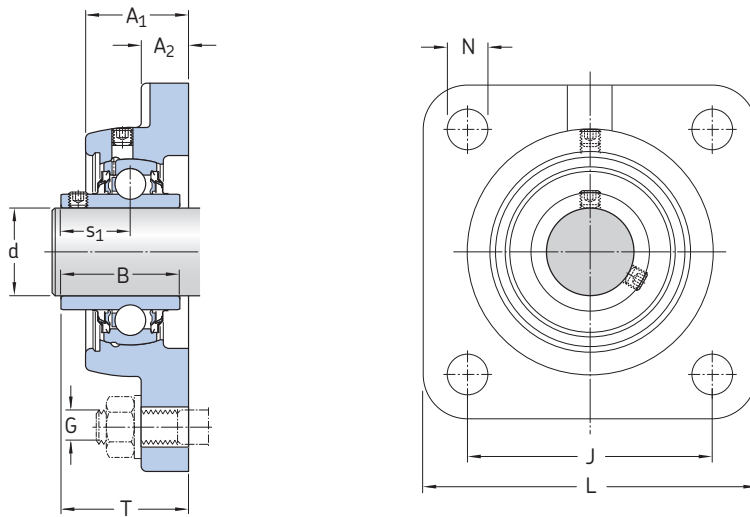


Designations Bearing unit	Separate components		Limiting speed with shaft tolerance	Mass Bearing unit	Appropriate cover	
	Housing	Bearing			Designation End cover closed	Dimension A ₅
			h6			
			r/min	lb/kg	-	in./mm
SYFWR 3/4 YZTHR	SYFWR 504 YZ	YAR 204-012-2RFGR/HV	5 000	0.99 0,45	ECW 204	0.99 25,2
SYFWR 1. YZTHR	SYFWR 505 YZ	YAR 205-100-2RFGR/HV	4 300	1.32 0,6	ECW 205	1.00 25,3
SYFWR 1.3/16 YZTHR	SYFWR 506 YZ	YAR 206-103-2RFGR/HV	3 800	2.32 1,05	ECW 206	1.16 29,4
SYFWR 1.1/4 AYZTHR	SYFWR 506 YZ	YAR 206-104-2RFGR/HV	3 800	2.32 1,05	ECW 206	1.16 29,4
SYFWR 1.1/4 YZTHR	SYFWR 507 YZ	YAR 207-104-2RFGR/HV	3 200	2.8 1,27	ECW 207	1.22 31
SYFWR 1.3/8 YZTHR	SYFWR 507 YZ	YAR 207-106-2RFGR/HV	3 200	2.8 1,27	ECW 207	1.22 31
SYFWR 1. 7/16 YZTHR	SYFWR 507 YZ	YAR 207-107-2RFGR/HV	3 200	2.8 1,27	ECW 207	1.22 31
SYFWR 1.1/2 YZTHR	SYFWR 508 YZ	YAR 208-108-2RFGR/HV	2 800	3.66 1,66	ECW 208	1.22 31

Please contact your local sales office for availability.

Stainless steel SKF Food Line Y-bearing square flanged units stainless steel bearings, metric shafts

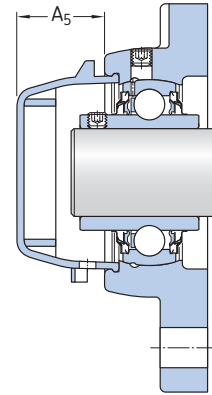
d 20 – 40 mm



Dimensions										Basic load ratings		Fatigue load limit	Limiting speed with shaft tolerance h6	Designation Bearing unit
d	A ₁	A ₂	B	J	L	N	G	s ₁	T	C	C ₀			
mm										kN		kN	r/min	–
20	25,8	11,1	31	63,5	85,7	11,1	10	18,3	32,6	10,8	6,55	0,28	5 000	FYWR 20 YTHR
25	29,4	13,5	34,1	69,9	95,3	11,5	10	19,8	36,5	11,9	7,8	0,335	4 300	FYWR 25 YTHR
30	34,1	13,5	38,1	82,6	108	12,7	10	22,2	42	16,3	11,2	0,475	3 800	FYWR 30 YTHR
35	35,7	14,3	42,9	92,1	117,5	14,3	12	25,4	46	21,6	15,3	0,655	3 200	FYWR 35 YTHR
40	38,9	14,3	49,2	101,6	130,2	14,3	12	30,2	53,2	26	19	0,8	2 800	FYWR 40 YTHR

Please contact your local sales office for availability.

As standard SKF Food Line Y-bearing units stainless steel housings are lubricated for life. SKF does not recommend relubricating. However, if required the regreasing can be done by removing the stainless steel set screw tightened into the housing body having a thread 1/4-28 UNF and replace with suitable grease nipple.



C

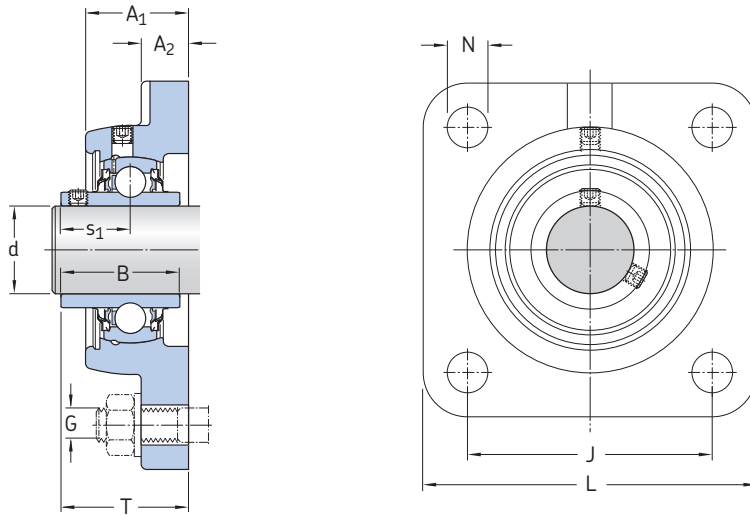
Designations Bearing unit	Separate components		Limiting speed with shaft tolerance	Mass Bearing unit	Appropriate cover	
	Housing	Bearing			Designation	Dimension End cover closed A ₅
			h6			
			r/min	kg	–	mm
FYWR 20 YTHR	FYWR 504 Y	YAR 204-2RFGR/HV	5 000	0,66	ECW 204	25,3
FYWR 25 YTHR	FYWR 505 Y	YAR 205-2RFGR/HV	4 300	0,99	ECW 205	24,9
FYWR 30 YTHR	FYWR 506 Y	YAR 206-2RFGR/HV	3 800	1,34	ECW 206	29,3
FYWR 35 YTHR	FYWR 507 Y	YAR 207-2RFGR/HV	3 200	1,74	ECW 207	30,5
FYWR 40 YTHR	FYWR 508 Y	YAR 208-2RFGR/HV	2 800	2,22	ECW 208	31,5

Please contact your local sales office for availability.

Stainless steel SKF Food Line Y-bearing square flanged units stainless steel bearings, inch shafts

d $\frac{3}{4}$ – 1 $\frac{1}{2}$ in.

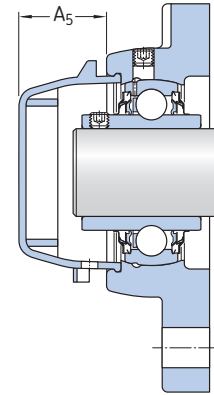
19,05 – 38,1 mm



Dimensions										Basic load ratings		Fatigue load limit	Designation
d	A ₁	A ₂	B	J	L	N	G	s ₁	T	C	C ₀	P _u	Bearing unit
in./mm										lbf/kN		lbf/kN	–
$\frac{3}{4}$ 19,05	1.02 25,8	0.44 11,1	1.22 31	2.5 63,5	3.38 85,7	0.44 11,1	$\frac{3}{8}$ 10	0.72 18,3	1.28 32,6	2 430 10,8	1 470 6,55	60 0,28	FYWR 3/4 YTHR
1 25,4	1.16 29,4	0.53 13,5	1.34 34,1	2.75 69,9	3.75 95,3	0.45 11,5	$\frac{7}{16}$ 10	0.78 19,8	1.44 36,5	2 680 11,9	1 760 7,8	80 0,335	FYWR 1. YTHR
$1\frac{3}{16}$ 30,163	1.34 34,1	0.53 13,5	1.5 38,1	3.25 82,6	4.25 108	0.5 12,7	$\frac{7}{16}$ 10	0.87 22,2	1.65 42	3 670 16,3	2 520 11,2	110 0,475	FYWR 1.3/16 YTHR
$1\frac{1}{4}$ 31,75	1.34 34,1	0.53 13,5	1.5 38,1	3.25 82,6	4.25 108	0.5 12,7	$\frac{7}{16}$ 10	0.87 22,2	1.65 42	3 670 16,3	2 520 11,2	110 0,475	FYWR 1.1/4 AYTHR
	1.41 35,7	0.56 14,3	1.69 42,9	3.63 92,1	4.63 117,5	0.56 14,3	$\frac{1}{2}$ 12	1 25,4	1.81 46	4 860 21,6	3 440 15,3	150 0,655	FYWR 1.1/4 YTHR
$1\frac{3}{8}$ 34,925	1.41 35,7	0.56 14,3	1.69 42,9	3.63 92,1	4.63 117,5	0.56 14,3	$\frac{1}{2}$ 12	1 25,4	1.81 46	4 860 21,6	3 440 15,3	150 0,655	FYWR 1.3/8 YTHR
$1\frac{7}{16}$ 36,513	1.41 35,7	0.56 14,3	1.69 42,9	3.63 92,1	4.63 117,5	0.56 14,3	$\frac{1}{2}$ 12	1 25,4	1.81 46	4 860 21,6	3 440 15,3	150 0,655	FYWR 1.7/16 YTHR
$1\frac{1}{2}$ 38,1	1.53 38,9	0.56 14,3	1.94 49,2	4 101,6	5.13 130,2	0.56 14,3	$\frac{1}{2}$ 12	1.19 30,2	2.09 53,2	5 845 26	4 280 19	180 0,8	FYWR 1.1/2 YTHR

Please contact your local sales office for availability.

As standard SKF Food Line Y-bearing units stainless steel housings are lubricated for life. SKF does not recommend relubricating. However, if required the regreasing can be done by removing the stainless steel set screw tightened into the housing body having a thread 1/4-28 UNF and replace with suitable grease nipple.

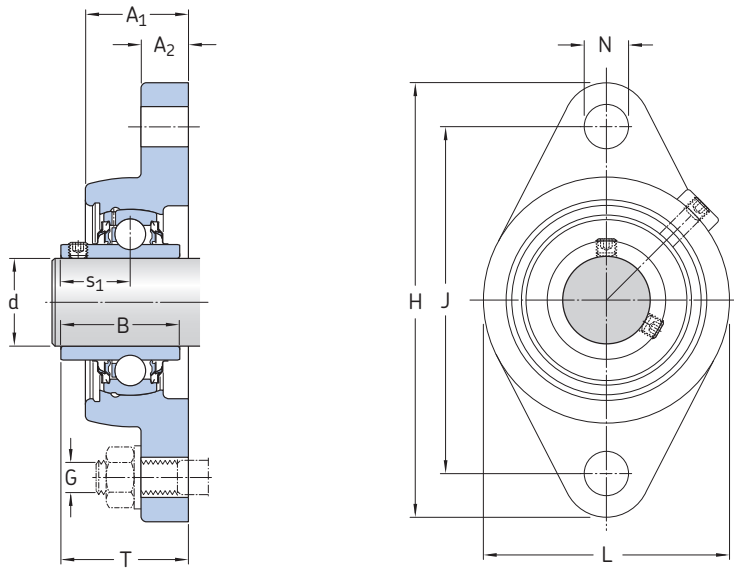


Designations Bearing unit	Separate components		Limiting speed with shaft tolerance h6	Mass Bearing unit	Appropriate cover	
	Housing	Bearing			Designation	Dimension End cover closed A ₅
-			r/min	lb/kg	-	in./mm
FYWR 3/4 YTHR	FYWR 504 Y	YAR 204-012-2RFGR/HV	5 000	1.46 0,66	ECW 204	1 25,3
FYWR 1. YTHR	FYWR 505 Y	YAR 205-100-2RFGR/HV	4 300	2.18 0,99	ECW 205	0.98 24,9
FYWR 1.3/16 YTHR	FYWR 506 Y	YAR 206-103-2RFGR/HV	3 800	2.95 1,34	ECW 206	1.15 29,3
FYWR 1.1/4 AYTHR	FYWR 506 Y	YAR 206-104-2RFGR/HV	3 800	2.95 1,34	ECW 206	1.15 29,3
FYWR 1.1/4 YTHR	FYWR 507 Y	YAR 207-104-2RFGR/HV	3 200	3.84 1,74	ECW 207	1.2 30,5
FYWR 1.3/8 YTHR	FYWR 507 Y	YAR 207-106-2RFGR/HV	3 200	3.84 1,74	ECW 207	1.2 30,5
FYWR 1.7/16 YTHR	FYWR 507 Y	YAR 207-107-2RFGR/HV	3 200	3.84 1,74	ECW 207	1.2 30,5
FYWR 1.1/2 YTHR	FYWR 508 Y	YAR 208-108-2RFGR/HV	2 800	4.9 2,22	ECW 208	1.24 31,5

Please contact your local sales office for availability.

Stainless steel SKF Food Line Y-bearing oval flanged units stainless steel bearings, metric shafts

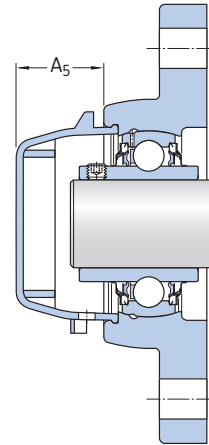
d 20 – 40 mm



Dimensions											Basic load ratings		Fatigue load limit	Designation
d	A ₁	A ₂	B	H	J	L	N	G	s ₁	T	C	C ₀	P _u	Bearing unit
mm											kN		kN	–
20	25,8	11,1	31	111,9	89,7	60,3	11,1	10	18,3	32,6	10,8	6,55	0,28	FYTWR 20 YTHR
25	29,4	13,5	34,1	123,8	98,8	69,9	12,7	10	19,8	36,5	11,9	7,8	0,335	FYTWR 25 YTHR
30	34,1	13,5	38,1	141,3	116,7	79,4	12,7	10	22,2	42	16,3	11,2	0,475	FYTWR 30 YTHR
35	35,7	14,3	42,9	155,6	130,2	92,1	14,3	12	25,4	46	21,6	15,3	0,655	FYTWR 35 YTHR
40	38,9	14,3	49,2	171,5	143,7	101,6	14,3	12	30,2	53,2	26	19	0,8	FYTWR 40 YTHR

Please contact your local sales office for availability.

As standard SKF Food Line Y-bearing units stainless steel housings are lubricated for life. SKF does not recommend relubricating. However, if required the regreasing can be done by removing the stainless steel set screw tightened into the housing body having a thread 1/4-28 UNF and replace with suitable grease nipple.



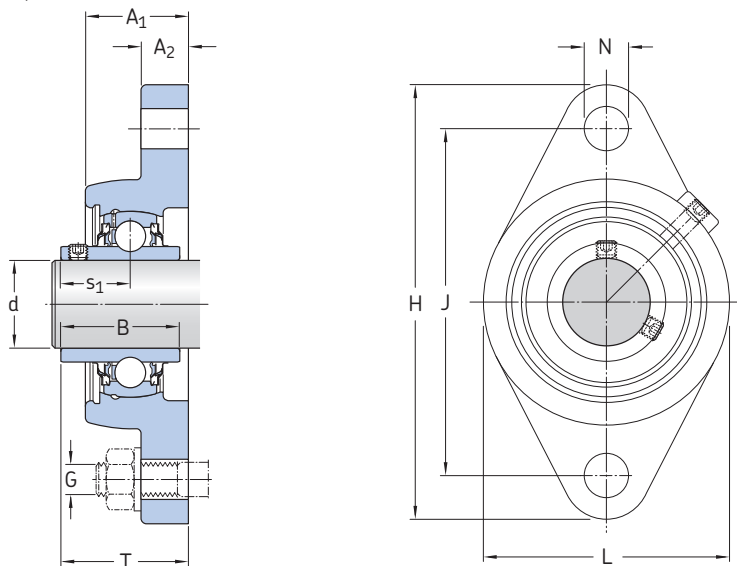
Designations Bearing unit	Separate components		Limiting speed with shaft tolerance	Mass Bearing unit	Appropriate cover	
	Housing	Bearing			Designation End cover closed	Dimension A ₅
			h6			
			r/min	kg	–	mm
FYTWR 20 YTHR	FYTWR 504 Y	YAR 204-2RFGR/HV	5 000	0,45	ECW 204	25,3
FYTWR 25 YTHR	FYTWR 505 Y	YAR 205-2RFGR/HV	4 300	0,68	ECW 205	24,9
FYTWR 30 YTHR	FYTWR 506 Y	YAR 206-2RFGR/HV	3 800	0,95	ECW 206	30
FYTWR 35 YTHR	FYTWR 507 Y	YAR 207-2RFGR/HV	3 200	1,29	ECW 207	30,5
FYTWR 40 YTHR	FYTWR 508 Y	YAR 208-2RFGR/HV	2 800	1,69	ECW 208	31,5

Please contact your local sales office for availability.

Stainless steel SKF Food Line Y-bearing oval flanged units stainless steel bearings, inch shafts

d 3/4 – 1 1/2 in.

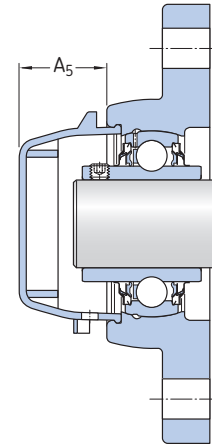
19,05 – 38,1 mm



Dimensions											Basic load ratings		Fatigue load limit	Designation
d	A ₁	A ₂	B	H	J	L	V	G	S ₁	T	C	C ₀	P _u	Bearing unit
in./mm											lbf/kN		lbf/kN	–
3/4 19,05	1,02 25,8	0,44 11,1	1,22 31	4,41 111,9	3,53 89,7	2,37 60,3	0,44 11,1	3/8 10	0,72 18,3	1,28 32,6	2 430 10,8	1 470 6,55	60 0,28	FYTWR 3/4 YTHR
1 25,4	1,16 29,4	0,53 13,5	1,34 34,1	4,87 123,8	3,89 98,8	2,75 69,9	0,5 12,7	7/16 10	0,779 19,8	1,44 36,5	2 680 11,9	1 760 7,8	80 0,335	FYTWR 1. YTHR
1 3/16 30,163	1,34 34,1	0,53 13,5	1,5 38,1	5,56 141,3	4,59 116,7	3,13 79,4	0,5 12,7	7/16 10	0,874 22,2	1,65 42	3 670 16,3	2 520 11,2	110 0,475	FYTWR 1.3/16 YTHR
1 1/4 31,75	1,34 34,1	0,53 13,5	1,5 38,1	5,56 141,3	4,59 116,7	3,13 79,4	0,5 12,7	7/16 10	0,874 22,2	1,65 42	3 670 16,3	2 520 11,2	110 0,475	FYTWR 1.1/4 AYTHR
	1,41 35,7	0,56 14,3	1,69 42,9	6,13 155,6	5,13 130,2	3,63 92,1	0,56 14,3	1/2 12	1 25,4	1,81 46	4 860 21,6	3 440 15,3	150 0,655	FYTWR 1.1/4 YTHR
1 3/8 34,925	1,41 35,7	0,56 14,3	1,69 42,9	6,13 155,6	5,13 130,2	3,63 92,1	0,56 14,3	1/2 12	1 25,4	1,81 46	4 850 21,6	3 440 15,3	150 0,655	FYTWR 1.3/8 YTHR
	1,41 36,513	0,56 14,3	1,69 42,9	6,13 155,6	5,13 130,2	3,63 92,1	0,56 14,3	1/2 12	1 25,4	1,81 46	4 850 21,6	3 440 15,3	150 0,655	FYTWR 1.7/16 YTHR
1 1/2 38,1	1,53 38,9	0,56 14,3	1,93 49,2	6,75 171,5	5,66 143,7	4 101,6	0,56 14,3	1/2 12	1,189 30,2	2,09 53,2	5 845 26	4 270 19	180 0,8	FYTWR 1.1/2 YTHR

Please contact your local sales office for availability.

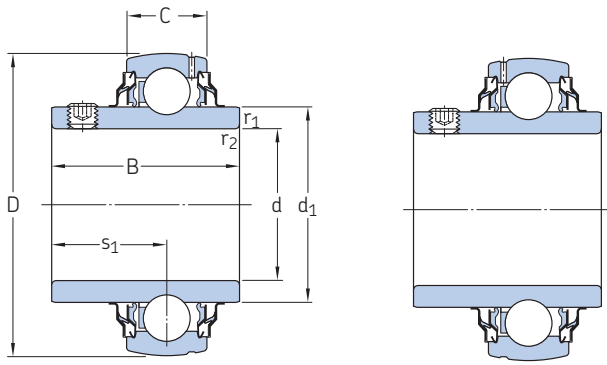
As standard SKF Food Line Y-bearing units stainless steel housings are lubricated for life. SKF does not recommend relubricating. However, if required the regreasing can be done by removing the stainless steel set screw tightened into the housing body having a thread 1/4-28 UNF and replace with suitable grease nipple.



Designations Bearing unit	Separate components		Limiting speed with shaft tolerance	Mass Bearing unit	Appropriate cover	
	Housing	Bearing			Designation End cover closed	Dimension A ₅
			h6			
			r/min	lb/kg	–	in./mm
FYTWR 3/4 YTHR	FYTWR 504 Y	YAR 204-012-2RFGR/HV	5 000	0.99 0,45	ECW 204	1 25,3
FYTWR 1. YTHR	FYTWR 505 Y	YAR 205-100-2RFGR/HV	4 300	1.5 0,68	ECW 205	0.98 24,9
FYTWR 1.3/16 YTHR	FYTWR 506 Y	YAR 206-103-2RFGR/HV	3 800	2.09 0,95	ECW 206	1.18 30
FYTWR 1.1/4 AYTHR	FYTWR 506 Y	YAR 206-104-2RFGR/HV	3 800	2.09 0,95	ECW 206	1.18 30
FYTWR 1.1/4 YTHR	FYTWR 507 Y	YAR 207-104-2RFGR/HV	3 200	2.84 1,29	ECW 207	1.2 30,5
FYTWR 1.3/8 YTHR	FYTWR 507 Y	YAR 207-106-2RFGR/HV	3 200	2.84 1,29	ECW 207	1.2 30,5
FYTWR 1.7/16 YTHR	FYTWR 507 Y	YAR 207-107-2RFGR/HV	3 200	2.84 1,29	ECW 207	1.2 30,5
FYTWR 1.1/2 YTHR	FYTWR 508 Y	YAR 208-108-2RFGR/HV	2 800	3.73 1,69	ECW 208	1.24 31,5

Please contact your local sales office for availability.

SKF Food Line Y-bearings with grub screws, stainless steel, metric shafts
d 20 – 50 mm

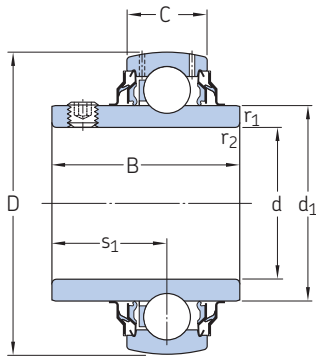


YAR 2..-2RF/HV

YAR 2..-2RFGR/HV

Dimensions							Basic load ratings		Fatigue load limit P_u	Limiting speed with shaft tolerance h6	Mass kg	Designations	
d	D	B	C	d_1	s_1	$r_{1,2}$	dynamic C	static C_0				r/min	–
mm							kN	kN					
20	47	31	14	28,2	18,3	0,6	10,8	6,55	0,28	5 000	0,14	YAR 204-2RF/HV	YAR 204-2RFGR/HV
25	52	34,1	15	33,7	19,8	0,6	11,9	7,8	0,335	4 300	0,18	YAR 205-2RF/HV	YAR 205-2RFGR/HV
30	62	38,1	18	39,7	22,2	0,6	16,3	11,2	0,475	3 800	0,29	YAR 206-2RF/HV	YAR 206-2RFGR/HV
35	72	42,9	19	46,1	25,4	1	21,6	15,3	0,655	3 200	0,42	YAR 207-2RF/HV	YAR 207-2RFGR/HV
40	80	49,2	21	51,8	30,2	1	26	19	0,8	2 800	0,56	YAR 208-2RF/HV	YAR 208-2RFGR/HV
50	90	51,6	22	62,5	32,6	1	29,6	23,2	0,98	2 200	0,69	YAR 210-2RF/HV	YAR 210-2RFGR/HV

SKF Food Line Y-bearings with grub screws, zinc coated, metric shafts
d 20 – 50 mm

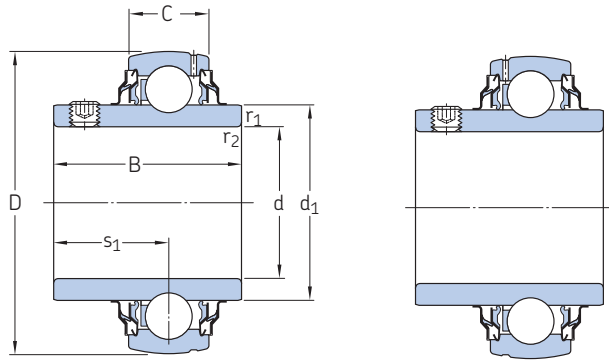


Dimensions							Basic load ratings		Fatigue load limit P_u	Limiting speed with shaft tolerance h6	Mass kg	Designation
d	D	B	C	d_1	s_1	$r_{1,2}$	dynamic C	static C_0				
mm							kN		kN	r/min		–
20	47	31	14	28,2	18,3	0,6	12,7	6,55	0,28	5 000	0,14	YAR 204-2RF/VE495
25	52	34,1	15	33,7	19,8	0,6	14	7,8	0,335	4 300	0,18	YAR 205-2RF/VE495
30	62	38,1	18	39,7	22,2	0,6	19,5	11,2	0,475	3 800	0,29	YAR 206-2RF/VE495
35	72	42,9	19	46,1	25,4	1	25,5	15,3	0,655	3 200	0,42	YAR 207-2RF/VE495
40	80	49,2	21	51,8	30,2	1	30,7	19	0,8	2 800	0,56	YAR 208-2RF/VE495
50	90	51,6	22	62,5	32,6	1	35,1	23,2	0,98	2 200	0,69	YAR 210-2RF/VE495

SKF Food Line Y-bearings with grub screws, stainless steel, inch shafts

d $\frac{3}{4}$ – $1\frac{15}{16}$ in.

19,05 – 49,213 mm



YAR 2..-2RF/HV

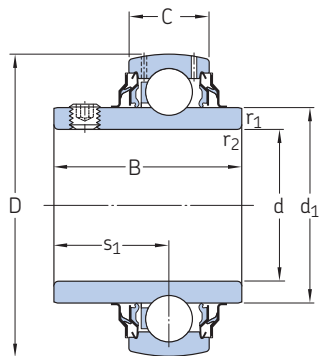
YAR 2..-2RFGR/HV

Dimensions				Basic load ratings		Fatigue load limit P_u	Limiting speed with shaft tolerance h6	Mass	Designations				
d	D	B	C	dynamic C	static C_0				r/min	lb/kg	–		
in./mm						lbf/kN	lbf/kN	r/min	lb/kg	–			
$\frac{3}{4}$ 19,05	1.85 47	1.22 31	0.55 14	1.11 28,2	0.72 18,3	0.02 0,6	2 430 10,8	1 470 6,55	60 0,28	5 000	0.35 0,16	YAR 204-012-2RF/HV	YAR 204-012-2RFGR/HV
1 25,4	2.05 52	1.34 34,1	0.59 15	1.33 33,7	0.78 19,8	0.02 0,6	2 680 11,9	1 760 7,8	80 0,335	4 300	0.42 0,19	YAR 205-100-2RF/HV	YAR 205-100-2RFGR/HV
$1\frac{3}{16}$ 30,163	2.44 62	1.5 38,1	0.71 18	1.56 39,7	0.87 22,2	0.02 0,6	3 670 16,3	2 520 11,2	110 0,475	3 800	0.64 0,29	YAR 206-103-2RF/HV	YAR 206-103-2RFGR/HV
$1\frac{1}{4}$ 31,75	2.44 62	1.5 38,1	0.71 18	1.56 39,7	0.87 22,2	0.02 0,6	3 670 16,3	2 520 11,2	110 0,475	3 800	0.62 0,28	YAR 206-104-2RF/HV	YAR 206-104-2RFGR/HV
	2.83 72	1.69 42,9	0.75 19	1.81 46,1	1 25,4	0.04 1	4 860 21,6	3 440 15,3	150 0,655	3 200	1.15 0,52	YAR 207-104-2RF/HV	YAR 207-104-2RFGR/HV
$1\frac{3}{8}$ 34,925	2.83 72	1.69 42,9	0.75 19	1.81 46,1	1 25,4	0.04 1	4 860 21,6	3 440 15,3	150 0,655	3 200	0.93 0,42	YAR 207-106-2RF/HV	YAR 207-106-2RFGR/HV
$1\frac{7}{16}$ 36,513	2.83 72	1.69 42,9	0.75 19	1.81 46,1	1 25,4	0.04 1	4 860 21,6	3 440 15,3	150 0,655	3 200	0.95 0,43	YAR 207-107-2RF/HV	YAR 207-107-2RFGR/HV
$1\frac{1}{2}$ 38,1	3.15 80	1.94 49,2	0.83 21	2.04 51,8	1.19 30,2	0.04 1	5 850 26	4 280 19	180 0,8	2 800	1.23 0,56	YAR 208-108-2RF/HV	YAR 208-108-2RFGR/HV
$1\frac{15}{16}$ 49,213	3.54 90	2.03 51,6	0.87 22	2.46 62,5	1.28 32,6	0.04 1	6 660 29,6	5 220 23,2	220 0,98	2 200	1.72 0,78	YAR 210-115-2RF/HV	YAR 210-115-2RFGR/HV

SKF Food Line Y-bearings with grub screws, zinc coated, inch shafts

d $\frac{3}{4}$ – $1\frac{15}{16}$ in.

19,05 – 49,213 mm



Dimensions							Basic load ratings		Fatigue load limit	Limiting speed	Mass	Designation
d	D	B	C	d ₁	s ₁	r _{1,2}	dynamic C	static C ₀	P _u	with shaft tolerance h6	lb/kg	
in./mm							lbf/kN		lbf/kN	r/min		–
$\frac{3}{4}$ 19,05	1.8504 47	1.22 31	0.55 14	1.11 28,2	0.72 18,3	0.02 0,6	2860 12,7	1 470 6,55	60 0,28	5 000	0.35 0,16	YAR 204-012-2RF/VE495
$\frac{15}{16}$ 23,813	2.0472 52	1.34 34,1	0.59 15	1.33 33,7	0.78 19,8	0.02 0,6	3 150 14	1 760 7,8	80 0,335	4 300	0.42 0,19	YAR 205-015-2RF/VE495
1 25,4	2.0472 52	1.34 34,1	0.59 15	1.33 33,7	0.78 19,8	0.02 0,6	3 150 14	1 760 7,8	80 0,335	4 300	0.42 0,19	YAR 205-100-2RF/VE495
$1\frac{1}{16}$ 30,163	2.4409 62	1.50 38,1	0.71 18	1.56 39,7	0.87 22,2	0.02 0,6	4 390 19,5	2 520 11,2	110 0,475	3 800	0.68 0,31	YAR 206-103-2RF/VE495
$1\frac{1}{4}$ 31,75	2.4409 62	1.50 38,1	0.71 18	1.56 39,7	0.87 22,2	0.02 0,6	4 390 19,5	2 520 11,2	110 0,475	3 800	0.62 0,28	YAR 206-104-2RF/VE495
	2.8346 72	1.69 42,9	0.75 19	1.82 46,1	1.00 25,4	0.04 1	5 740 25,5	3 440 15,3	150 0,655	3 200	1.01 0,46	YAR 207-104-2RF/VE495
$1\frac{3}{8}$ 34,925	2.8346 72	1.69 42,9	0.75 19	1.82 46,1	1.00 25,4	0.04 1	5 740 25,5	3 440 15,3	150 0,655	3 200	1.01 0,46	YAR 207-106-2RF/VE495
$1\frac{7}{16}$ 36,513	2.8346 72	1.69 42,9	0.75 19	1.82 46,1	1.00 25,4	0.04 1	5 740 25,5	3 440 15,3	150 0,655	3 200	0.93 0,42	YAR 207-107-2RF/VE495
$1\frac{1}{2}$ 38,1	3.1496 80	1.94 49,2	0.83 21	2.04 51,8	1.19 30,2	0.04 1	6 910 30,7	4 280 19	180 0,8	2 800	1.3 0,59	YAR 208-108-2RF/VE495
$1\frac{15}{16}$ 49,213	3.5433 90	2.03 51,6	0.87 22	2.46 62,5	1.28 32,6	0.04 1	7 900 35,1	5 220 23,2	220 0,98	2 200	1.72 0,78	YAR 210-115-2RF/VE495



SKF Food Line equivalent list, metric and inch shafts

Plummer blocks	
Metric shafts	102
Inch shafts	104
Square flanged	
Metric shafts	106
Inch shafts	108
Oval flanged	
Metric shafts	110
Inch shafts	112
Short base plummer block	
Metric shafts	114
Inch shafts	116
3-bolt flange, metric /inch shafts	118
Take up unit, metric /inch shafts	120

NOTE: This listing should be used as a guide only. SKF recommends consulting the product tables on skf.com/bearings. This information is also in the *SKF Rolling bearings* catalogue (PUB BU/P1 10000 EN) and the *SKF Y-bearings and Y-bearing units* catalogue (PUB BU/P1 13728 EN).



SKF Food Line equivalent list – metric shafts

20–50 mm

PLUMMER BLOCK

	Housing	Insert bearing	Shaft diameter, mm		
			20	25	30
SKF	Composite	Zinc coated	SYWK 20 YTA	SYWK 25 YTA	SYWK 30 YTA
	Composite	Stainless steel	SYWK 20 YTH	SYWK 25 YTH	SYWK 30 YTH
	Stainless steel	Stainless steel	SYWR 20 YTHR	SYWR 25 YTHR	SYWR 30 YTHR
NTN	Composite	Stainless steel	F-UCPR 204/LP03	F-UCPR 205/LP03	F-UCPR 206/LP03
	Stainless steel	Stainless steel	F-UCPM204/LP03	F-UCPM205/LP03	F-UCPM206/LP03
INA	Composite	Stainless Steel	RASEY20-TV-VA	RASEY25-TV-VA	RASEY30-TV-VA
NSK	Composite	Stainless steel	PNP20CR	PNP25CR	PNP30CR
ASHAI	Composite	Stainless steel	MUCA 204	MUCA 205	MUCA 206
	Stainless steel	Stainless steel	MUCP 204	MUCP 205	MUCP 206
FYH	Composite	Stainless steel	UCVP204S6	UCVP205S6	UCVP206S6
	Composite	Plated bearing	UCVP204ES7	UCVP205ES7	UCVP206ES7
	Stainless steel	Stainless steel	UCSP204H1S6	UCSP205H1S6	UCSP206H1S6
DODGE	Composite	Stainless steel	P2B-SCEZ-20M-PCR	P2B-SCEZ-25M-PCR	P2B-SCUEZ-30M-PCR
	Stainless steel	Stainless steel	P2B-SCEZ-20M-SHCR	P2B-SCEZ-25M-SHCR	P2B-SCEZ-30M-SHCR

PLUMMER BLOCK

	Housing	Insert bearing	Shaft diameter, mm		
			35	40	50
SKF	Composite	Zinc coated	SYWK 35 YTA	SYWK 40 YTA	SYWK 50 LTA
	Composite	Stainless steel	SYWK 35 YTH	SYWK 40 YTH	SYWK 50 LTHR
	Stainless steel	Stainless steel	SYWR 35 YTHR	SYWR 40 YTHR	–
NTN	Composite	Stainless steel	F-UCPR 207/LP03	F-UCPR 208/LP03	–
	Stainless steel	Stainless steel	F-UCPM207/LP03	F-UCPM208/LP03	F-UCPM210/LP03
INA	Composite	Stainless Steel	RASEY35-TV-VA	RASEY40-TV-VA	RASEY50TV-VA
NSK	Composite	Stainless steel	PNP35CR	PNP40CR	–
ASHAI	Composite	Stainless steel	MUCA 207	MUCA 208	MUCA 210
	Stainless steel	Stainless steel	MUCP 207	MUCP 208	MUCP 210
FYH	Composite	Stainless steel	UCVP207S6	UCVP208S6	UCVP210S6
	Composite	Plated bearing	UCVP207ES7	UCVP208ES7	UCVP210ES7
	Stainless steel	Stainless steel	UCSP207H1S6	UCSP208H1S6	UCSP210H1S6
DODGE	Composite	Stainless steel	P2B-SCEZ-35M-PCR	P2B-SCBEZ-40M-PCR	P2B-SCEZ-50M-PCR
	Stainless steel	Stainless steel	P2B-SCEZ-35M-SHCR	P2B-SCBEZ-40M-SHCR	P2B-SCEZ-50M-SHCR



SKF Food Line equivalent list – inch shafts

3/4–1 1/4 in.

PLUMMER BLOCK

	Housing	Insert bearing	Shaft diameter, in.		
			3/4	15/16	1.
SKF	Composite	Zinc coated	SYWK 3/4 YTA	SYWK 15/16 YTA	SYWK 1. YTA
	Composite	Stainless steel	SYWK 3/4 YTH	–	SYWK 1. YTH
	Stainless steel	Stainless steel	SYWR 3/4 YTHR	–	SYWR 1. YTHR
NTN	Composite	Stainless steel	F-UCPR 204-012/LP03	F-UCPR 205-015/LP03	F-UCPR 205-100/LP03
	Stainless steel	Stainless steel	F-UCPM 204-012/LP03	F-UCPM 205-015/LP03	F-UCPM 205-100/LP03
NSK	Composite	Stainless steel	PNP3/4CR	–	PNP1.CR
SEALMASTER	Composite	Phosphorous Nickel-coated	CRPC-PN12	–	CRPC-PN16
	Composite	Stainless steel [CR-XTREME]	–	–	CRXPC-16
	Composite	Zinc dichromate coated bearing	CPS-Z212 NGF	–	CPS-Z216 NGF
	Composite	Stainless steel [CRES CS]	CPS-S212	–	CPS-S216
	Stainless steel	Stainless steel [CR-XTREME]	–	–	CRXPS-16
	Stainless steel	Black-oxide	NP-12C CR	–	NP-16C CR
	Stainless steel	Phosphorous Nickel-coated	CRPS-PN12	–	CRPS-PN16
Stainless steel	Stainless steel [CRES SS]	SPS-S212	–	SPS-S216	
FYH	Composite	Stainless steel	UCVP204-12S6	UCVP205-15-S6	UCVP205-16-S6
	Composite	Plated bearing	UCVP204-12ES7	UCVP205-15-ES7	UCVP205-16-ES7
	Stainless steel	Stainless steel	UCSP204-12H1S6	UCSP205-15-H1S6	UCSP205-16-H1S6
DODGE	Composite	Stainless steel	P2B-SCEZ-012-PCR	P2B-SCEZ-015-PCR	P2B-SCEZ-100-PCR
	Stainless steel	Stainless steel	P2B-SCEZ-012-SHCR	P2B-SCEZ-015-SHCR	P2B-SCEZ-100-SHCR

SKF Food Line equivalent list – inch shafts

1 3/8–1 15/16 in.

PLUMMER BLOCK

	Housing	Insert bearing	Shaft diameter, in.	
			1 3/8	1 7/16
SKF	Composite	Zinc coated	SYWK 1.3/8 YTA	SYWK 1.7/16 YTA
	Composite	Stainless steel	SYWK 1.3/8 YTH	SYWK 1.7/16 YTH
	Stainless steel	Stainless steel	SYWR 1.3/8 YTHR	SYWR 1.7/16 YTHR
NTN	Composite	Stainless steel	F-UCPR 207-106/LP03	F-UCPR 207-107/LP03
	Stainless steel	Stainless steel	F-UCPM 207-106/LP03	F-UCPM 207-107/LP03
NSK	Composite	Stainless steel	–	PNP1.7/16CR
SEALMASTER	Composite	Phosphorous Nickel-coated	–	CRPC-PN23
	Composite	Stainless steel [CR-XTREME]	–	CRXPC-23
	Composite	Zinc dichromate coated bearing	–	CPS-Z223 NGF
	Composite	Stainless steel [CRES CS]	–	CPS-S223
	Stainless steel	Stainless steel [CR-XTREME]	–	CRXPS-23
	Stainless steel	Black-oxide	–	NP-23C CR
	Stainless steel	Phosphorous Nickel-coated	–	CRPS-PN23
Stainless steel	Stainless steel [CRES SS]	–	SPS-S223	
FYH	Composite	Stainless steel	UCVP207-22S6	UCVP207-23S6
	Composite	Plated bearing	UCVP207-22ES7	UCVP207-23ES7
	Stainless steel	Stainless steel	UCSP207-22H1S6	UCSP207-23H1S6
DODGE	Composite	Stainless steel	P2B-SCEZ-106-PCR	P2B-SCEZ-107-PCR
	Stainless steel	Stainless steel	P2B-SCEZ-106-SHCR	P2B-SCEZ-107-SHCR

PLUMMER BLOCK

	Housing	Insert bearing	Shaft diameter, in.		
			1 3/16	1 1/4	1 1/4
SKF	Composite	Zinc coated	SYWK 1.3/16 YTA	SYWK 1.1/4 AYTA	SYWK 1.1/4 YTA
	Composite	Stainless steel	SYWK 1.3/16 YTH	SYWK 1.1/4 AYTH	SYWK 1.1/4 YTH
	Stainless steel	Stainless steel	SYWR 1.3/16 YTHR	SYWR 1.1/4 AYTHR	SYWR 1.1/4 YTHR
NTN	Composite	Stainless steel	F-UCPR 206-103/LP03	F-UCPR 206-104/LP03	F-UCPR 207-104/LP03
	Stainless steel	Stainless steel	F-UCPM 206-103/LP03	F-UCPM 206-104/LP03	F-UCPM 207-104/LP03
NSK	Composite	Stainless steel	PNP1.3/16CR	PNP1.1/4RCR	PNP1.1/4 CR
SEALMASTER	Composite	Phosphorous Nickel-coated	CRPC-PN19	CRPC-PN20 R	CRPC-PN20
	Composite	Stainless steel [CR-XTREME]	CRXPC-19	CRXPC-20R	CRXPC-20
	Composite	Zinc dichromate coated bearing	CPS-Z219 NGF	CPS-Z220S NGF	CPS-Z220 NGF
	Composite	Stainless steel [CRES CS]	CPS-S219	CPS-S220S	CPS-S220
	Stainless steel	Stainless steel [CR-XTREME]	CRXPS-19	CRXPS-20R	CRXPS-20
	Stainless steel	Black-oxide	NP-19C CR	NP-20RC CR	NP-20C CR
	Stainless steel	Phosphorous Nickel-coated	CRPS-PN19	CRPS-PN20 R	CRPS-PN20
Stainless steel	Stainless steel [CRES SS]	SPS-S219	SPS-S220S	SPS-S220	
FYH	Composite	Stainless steel	UCVP206-19S6	UCVP206-20S6	UCVP207-20S6
	Composite	Plated bearing	UCVP206-19ES7	UCVP206-20ES7	UCVP207-20ES7
	Stainless steel	Stainless steel	UCSP206-19H1S6	UCSP206-20H1S6	UCSP207-20H1S6
DODGE	Composite	Stainless steel	P2B-SCUEZ-103-PCR	P2B-SCUEZ-104S-PCR	P2B-SCEZ-104-PCR
	Stainless steel	Stainless steel	P2B-SCEZ-103-SHCR	P2B-SCUEZ-104S-SHCR	P2B-SCEZ-104-SHCR

PLUMMER BLOCK

	Housing	Insert bearing	Shaft diameter, in.	
			1 1/2	1 15/16
SKF	Composite	Zinc coated	SYWK 1.1/2 YTA	SYWK 1.15/16 LTA
	Composite	Stainless steel	SYWK 1.1/2 YTH	SYWK 1.15/16 LTHR
	Stainless steel	Stainless steel	SYWR 1.1/2 YTHR	-
NTN	Composite	Stainless steel	F-UCPR 208-108/LP03	-
	Stainless steel	Stainless steel	F-UCPM 208-108/LP03	F-UCPM 210-115/LP03
NSK	Composite	Stainless steel	PNP1.1/2CR	-
SEALMASTER	Composite	Phosphorous Nickel-coated	CRPC-PN24	-
	Composite	Stainless steel [CR-XTREME]	CRXPC-24	-
	Composite	Zinc dichromate coated bearing	CPS-Z224 NGF	-
	Composite	Stainless steel [CRES CS]	CPS-S224	-
	Stainless steel	Stainless steel [CR-XTREME]	CRXPS-24	-
	Stainless steel	Black-oxide	NP-24C CR	NP-31C CR
	Stainless steel	Phosphorous Nickel-coated	CRPS-PN24	CRPS-PN31
Stainless steel	Stainless steel [CRES SS]	SPS-S224	-	
FYH	Composite	Stainless steel	UCVP208-24S6	UCVP210-31S6
	Composite	Plated bearing	UCVP208-24ES7	UCVP210-31ES7
	Stainless steel	Stainless steel	UCSP208-24H1S6	UCSP210-31H1S6
DODGE	Composite	Stainless steel	P2B-SCBEZ-108-PCR	P2B-SCEZ-115-PCR
	Stainless steel	Stainless steel	P2B-SCEZ-108-SHCR	P2B-SCEZ-115-SHCR



SKF Food Line equivalent list – metric shafts

20–50 mm

SQUARE FLANGED

	Housing	Insert bearing	Shaft diameter, mm		
			20	25	30
SKF	Composite	Zinc coated	FYWK 20 YTA	FYWK 25 YTA	FYWK 30 YTA
	Composite	Stainless steel	FYWK 20 YTH	FYWK 25 YTH	FYWK 30 YTH
	Stainless steel	Stainless steel	FYWR 20 YTHR	FYWR 25 YTHR	FYWR 30 YTHR
INA	Composite	Stainless Steel	RCJY20-TV-VA	RCJY25-TV-VA	RCJY30-TV-VA
NSK	Composite	Stainless steel	PSF20CR	PSF25CR	PSF30CR
ASHAI	Composite	Stainless steel	MUCB 204	MUCB 205	MUCB 206
	Stainless steel	Stainless steel	MUCF 204	MUCF 205	MUCF 206
FYH	Composite	Stainless steel	UCVF204S6	UCVF205S6	UCVF206S6
	Composite	Plated bearing	UCVF204ES7	UCVF205ES7	UCVF206ES7
	Stainless steel	Stainless steel	UCSF204H1S6	UCSF205H1S6	UCSF206H1S6
DODGE	Composite	Stainless steel	F4B-SCEZ-20M-PCR	F4B-SCEZ-25M-PCR	F4B-SCEZ-30M-PCR
	Stainless steel	Stainless steel	F4B-SCEZ-20M-SHCR	F4B-SCEZ-25M-SHCR	F4B-SCEZ-30M-SHCR
MARBETT	Composite	Steel bearing	–	UCF 205 C	UCF 206 C

SQUARE FLANGED

	Housing	Insert bearing	Shaft diameter, mm		
			35	40	50
SKF	Composite	Zinc coated	FYWK 35 YTA	FYWK 40 YTA	FYWK 50 LTA
	Composite	Stainless steel	FYWK 35 YTH	FYWK 40 YTH	FYWK 50 LTHR
	Stainless steel	Stainless steel	FYWR 35 YTHR	FYWR 40 YTHR	–
INA	Composite	Stainless Steel	RCJY35-TV-VA	RCJY40-TV-VA	RCJY50TV-VA
NSK	Composite	Stainless steel	PSF35CR	PSF40CR	–
ASHAI	Composite	Stainless steel	MUCB 207	MUCB 208	MUCB 210
	Stainless steel	Stainless steel	MUCF 207	MUCF 208	MUCF 210
FYH	Composite	Stainless steel	UCVF207S6	UCVF208S6	–
	Composite	Plated bearing	UCVF207ES7	UCVF208ES7	–
	Stainless steel	Stainless steel	UCSF207H1S6	UCSF208H1S6	UCSF210H1S6
DODGE	Composite	Stainless steel	F4B-SCEZ-35M-PCR	F4B-SCEZ-40M-PCR	F4B-SCEZ-50M-PCR
	Stainless steel	Stainless steel	F4B-SCEZ-35M-SHCR	F4B-SCEZ-40M-SHCR	F4B-SCEZ-50M-SHCR
MARBETT	Composite	Steel bearing	UCF 207 C	UCF 208 C	UCF 210 C



SKF Food Line equivalent list – inch shafts

3/4–1 1/4 in.

SQUARE FLANGED

	Housing	Insert bearing	Shaft diameter, in.		
			3/4	15/16	1.
SKF	Composite	Zinc coated	FYWK 3/4 YTA	FYWK 15/16 YTA	FYWK 1. YTA
	Composite	Stainless steel	FYWK 3/4 YTH	–	FYWK 1. YTH
	Stainless steel	Stainless steel	FYWR 3/4 YTHR	–	FYWR 1. YTHR
NSK	Composite	Stainless steel	PSF3/4CR	–	PSF1.CR
SEALMASTER	Composite	Phosphorous Nickel-coated	CRFC-PN12	–	CRFC-PN16
	Composite	Stainless steel [CR-XTREME]	–	–	CRXFC-16
	Composite	Zinc dichromate coated bearing	CF4S-Z212 NGF	–	CF4S-Z216 NGF
	Composite	Stainless steel [CRES CS]	CF4S-S212	–	CF4S-S216
	Stainless steel	Stainless steel [CR-XTREME]	–	–	CRXFS-16
	Stainless steel	Black-oxide	SF-12C CR	–	SF-16C CR
	Stainless steel	Phosphorous Nickel-coated	CRFS-PN12	–	CRFS-PN16
Stainless steel	Stainless steel [CRES SS]	SF4S-S212	–	SF4S-S216	
FYH	Composite	Stainless steel	UCVF204-12S6	UCVF205-15-S6	UCVF205-16-S6
	Composite	Plated bearing	UCVF204-12ES7	UCVF205-15-ES7	UCVF205-16-ES7
	Stainless steel	Stainless steel	UCSF204-12H1S6	UCSF205-15-H1S6	UCSF205-16-H1S6
DODGE	Composite	Stainless steel	F4B-SCEZ-012-PCR	F4B-SCEZ-015-PCR	F4B-SCEZ-100-PCR
	Stainless steel	Stainless steel	F4B-SCEZ-012-SHCR	F4B-SCEZ-015-SHCR	F4B-SCEZ-100-SHCR

SKF Food Line equivalent list – inch shafts

1 3/8–1 15/16 in.

SQUARE FLANGED

	Housing	Insert bearing	Shaft diameter, in.	
			1 3/8	1 7/16
SKF	Composite	Zinc coated	FYWK 1.3/8 YTA	FYWK 1.7/16 YTA
	Composite	Stainless steel	FYWK 1.3/8 YTH	FYWK 1.7/16 YTH
	Stainless steel	Stainless steel	–	–
NSK	Composite	Stainless steel	–	PSF1.7/16CR
SEALMASTER	Composite	Phosphorous Nickel-coated	–	CRFC-PN23
	Composite	Stainless steel [CR-XTREME]	–	CRXFC-23
	Composite	Zinc dichromate coated bearing	–	CF4S-Z223 NGF
	Composite	Stainless steel [CRES CS]	–	CF4S-S223
	Stainless steel	Stainless steel [CR-XTREME]	–	CRXFS-23
	Stainless steel	Black-oxide	–	SF-23C CR
	Stainless steel	Phosphorous Nickel-coated	–	CRFS-PN23
Stainless steel	Stainless steel [CRES SS]	–	SF4S-S223	
FYH	Composite	Stainless steel	UCVF207-22S6	UCVF207-23S6
	Composite	Plated bearing	UCVF207-22ES7	UCVF207-23ES7
	Stainless steel	Stainless steel	UCSF207-22H1S6	UCSF207-23H1S6
DODGE	Composite	Stainless steel	F4B-SCEZ-106-PCR	F4B-SCEZ-107-PCR
	Stainless steel	Stainless steel	F4B-SCEZ-106-SHCR	F4B-SCEZ-107-SHCR

SQUARE FLANGED

	Housing	Insert bearing	Shaft diameter, in.		
			1 3/16	1 1/4	1 1/4
SKF	Composite	Zinc coated	FYWK 1.3/16 YTA	FYWK 1.1/4 AYTA	FYWK 1.1/4 YTA
	Composite	Stainless steel	FYWK 1.3/16 YTH	FYWK 1.1/4 AYTH	FYWK 1.1/4 YTH
	Stainless steel	Stainless steel	FYWR 1.3/16 YTHR	–	FYWR 1.1/4 AYTHR
NSK	Composite	Stainless steel	PSF1.3/16CR	PSF1.1/4RCR	PSF1.1/4CR
SEALMASTER	Composite	Phosphorous Nickel-coated	CRFC-PN19	CRFC-PN20 R	CRFC-PN20
	Composite	Stainless steel [CR-XTREME]	CRXFC-19	CRXFC-20R	CRXFC-20
	Composite	Zinc dichromate coated bearing	CF4S-Z219 NGF	CF4S-Z220S NGF	CF4S-Z220 NGF
	Composite	Stainless steel [CRES CS]	CF4S-S219	CF4S-S220S	CF4S-S220
	Stainless steel	Stainless steel [CR-XTREME]	CRXFS-19	CRXFS-20R	CRXFS-20
	Stainless steel	Black-oxide	SF-19C CR	SF-20RC CR	SF-20C CR
	Stainless steel	Phosphorous Nickel-coated	CRFS-PN19	CRFS-PN20 R	CRFS-PN20
	Stainless steel [CRES SS]	SF4S-S219	SF4S-S220S	SF4S-S220	
FYH	Composite	Stainless steel	UCVF206-19S6	UCVF206-20S6	UCVF207-20S6
	Composite	Plated bearing	UCVF206-19ES7	UCVF206-20ES7	UCVF207-20ES7
	Stainless steel	Stainless steel	UCSF206-19H1S6	UCSF206-20H1S6	UCSF207-20H1S6
DODGE	Composite	Stainless steel	F4B-SCEZ-103-PCR	F4B-SCEZ-104S-PCR	F4B-SCEZ-104-PCR
	Stainless steel	Stainless steel	F4B-SCEZ-103-SHCR	F4B-SCEZ-104S-SHCR	F4B-SCEZ-104-SHCR

SQUARE FLANGED

	Housing	Insert bearing	Shaft diameter, in.	
			1 1/2	1 15/16
SKF	Composite	Zinc coated	FYWK 1.1/2 YTA	FYWK 1.15/16 LTA
	Composite	Stainless steel	FYWK 1.1/2 YTH	FYWK 1.15/16 LTHR
	Stainless steel	Stainless steel	–	–
NSK	Composite	Stainless steel	PSF1.1/2CR	–
SEALMASTER	Composite	Phosphorous Nickel-coated	CRFC-PN24	–
	Composite	Stainless steel [CR-XTREME]	CRXFC-24	–
	Composite	Zinc dichromate coated bearing	CF4S-Z224 NGF	–
	Composite	Stainless steel [CRES CS]	CF4S-S224	–
	Stainless steel	Stainless steel [CR-XTREME]	CRXFS-24	–
	Stainless steel	Black-oxide	SF-24C CR	SF-31C CR
	Stainless steel	Phosphorous Nickel-coated	CRFS-PN24	CRFS-PN31
	Stainless steel [CRES SS]	SF4S-S224	–	
FYH	Composite	Stainless steel	UCVF208-24S6	–
	Composite	Plated bearing	UCVF208-24ES7	–
	Stainless steel	Stainless steel	UCSF208-24H1S6	UCSF210-31H1S6
DODGE	Composite	Stainless steel	F4B-SCEZ-108-PCR	F4B-SCEZ-115-PCR
	Stainless steel	Stainless steel	F4B-SCEZ-108-SHCR	F4B-SCEZ-115-SHCR



SKF Food Line equivalent list – metric shafts

20–50 mm

OVAL FLANGED

	Housing	Insert bearing	Shaft diameter, mm		
			20	25	30
SKF	Composite	Zinc coated	FYTWK 20 YTA	FYTWK 25 YTA	FYTWK 30 YTA
	Composite	Stainless steel	FYTWK 20 YTH	FYTWK 25 YTH	FYTWK 30 YTH
	Stainless steel	Stainless steel	FYTWR 20 YTHR	FYTWR 25 YTHR	FYTWR 30 YTHR
NTN	Composite	Stainless steel	F-UCFLR 204/LP03	F-UCFLR 205/LP03	F-UCFLR 206/LP03
	Stainless steel	Stainless steel	F-UCFM204/LP03	F-UCFM205/LP03	F-UCFM206/LP03
INA	Composite	Stainless Steel	RCJTY20-TV-VA	RCJTY25-TV-VA	RCJTY30-TV-VA
NSK	Composite	Stainless steel	PSFT20CR	PSFT25CR	PSFT30CR
ASHAI	Composite	Stainless steel	MUCD 204	MUCD 205	MUCD 206
	Stainless steel	Stainless steel	MUCFL 204	MUCFL 205	MUCFL 206
FYH	Composite	Stainless steel	UCVFL204S6	UCVFL205S6	UCVFL206S6
	Composite	Plated bearing	UCVFL204ES7	UCVFL205ES7	UCVFL206ES7
	Stainless steel	Stainless steel	UCSFL204H1S6	UCSFL205H1S6	UCSFL206H1S6
DODGE	Composite	Stainless steel	F2B-SCEZ-20M-PCR	F2B-SCEZ-25M-PCR	F2B-SCEZ-30M-PCR
	Stainless steel	Stainless steel	F2B-SCEZ-20M-SHCR	F2B-SCEZ-25M-SHCR	F2B-SCEZ-30M-SHCR
MARBETT	Composite	Steel bearing	UCFL 204 C	UCFL 205 C	UCFL 206 C

OVAL FLANGED

	Housing	Insert bearing	Shaft diameter, mm		
			35	40	50
SKF	Composite	Zinc coated	FYTWK 35 YTA	FYTWK 40 LTA	FYTWK 50 LTA
	Composite	Stainless steel	FYTWK 35 YTH	FYTWK 40 LTHR	FYTWK 50 LTHR
	Stainless steel	Stainless steel	FYTWR 35 YTHR	FYTWR 40 YTHR	–
NTN	Composite	Stainless steel	F-UCFLR 207/LP03	F-UCFLR 208/LP03	–
	Stainless steel	Stainless steel	F-UCFM207/LP03	F-UCFM208/LP03	F-UCFM210/LP03
INA	Composite	Stainless Steel	RCJTY35-TV-VA	RCJTY40-TV-VA	RCJTY50TV-VA
NSK	Composite	Stainless steel	PSFT35CR	PSFT40CR	–
ASHAI	Composite	Stainless steel	MUCD 207	MUCD 208	MUCD 210
	Stainless steel	Stainless steel	MUCFL 207	MUCFL 208	MUCFL 210
FYH	Composite	Stainless steel	UCVFL207S6	UCVFL208S6	–
	Composite	Plated bearing	UCVFL207ES7	UCVFL208ES7	–
	Stainless steel	Stainless steel	UCSFL207H1S6	UCSFL208H1S6	UCSFL210H1S6
DODGE	Composite	Stainless steel	F2B-SCEZ-35M-PCR	F2B-SCBEZ-40M-PCR	F2B-SCEZ-50M-PCR
	Stainless steel	Stainless steel	F2B-SCEZ-35M-SHCR	F2B-SCBEZ-40M-SHCR	F2B-SCEZ-50M-SHCR
MARBETT	Composite	Steel bearing	UCFL 207 C	UCFL 208 C	–



SKF Food Line equivalent list – inch shafts

3/4–1 1/4 in.

OVAL FLANGED

	Housing	Insert bearing	Shaft diameter, in.		
			3/4	15/16	1.
SKF	Composite	Zinc coated	FYTWK 3/4 YTA	FYTWK 15/16 YTA	FYTWK 1. YTA
	Composite	Stainless steel	FYTWK 3/4 YTH	–	FYTWK 1. YTH
	Stainless steel	Stainless steel	FYTWK 3/4 YTHR	–	FYTWK 1. YTHR
NTN	Composite	Stainless steel	F-UCFLR 204-012/LP03	F-UCFLR 205-015/LP03	F-UCFLR 205-100/LP03
	Stainless steel	Stainless steel	F-UCFM 204-012/LP03	F-UCFM 205-015/LP03	F-UCFM 205-100/LP03
NSK	Composite	Stainless steel	PSFT3/4CR	–	PSFT1.CR
SEALMASTER	Composite	Phosphorous Nickel-coated	CRFTC-PN12	–	CRFTC-PN16
	Composite	Stainless steel [CR-XTREME]	–	–	CRXFTC-16
	Composite	Zinc dichromate coated bearing	CF2S-Z212 NGF	–	CF2S-Z216 NGF
	Composite	Stainless steel [CRES CS]	CF2S-S212	–	CF2S-S216
	Stainless steel	Stainless steel [CR-XTREME]	–	–	CRXFTS-16
	Stainless steel	Black-oxide	SFT-12C CR	–	SFT-16C CR
	Stainless steel	Phosphorous Nickel-coated	CRFTS-PN12	–	CRFTS-PN16
Stainless steel	Stainless steel [CRES SS]	SF2S-S212	–	SF2S-S216	
FYH	Composite	Stainless steel	UCVFL204-12S6	UCVFL205-15-S6	UCVFL205-16-S6
	Composite	Plated bearing	UCVFL204-12ES7	UCVFL205-15-ES7	UCVFL205-16-ES7
	Stainless steel	Stainless steel	UCSFL204-12H1S6	UCSFL205-15-H1S6	UCSFL205-16-H1S6
DODGE	Composite	Stainless steel	F2B-SCEZ-012-PCR	F2B-SCEZ-015-PCR	F2B-SCEZ-100-PCR
	Composite	Stainless steel	F2B-SCEZ-012-SHCR	F2B-SCEZ-015-SHCR	F2B-SCEZ-100-SHCR

SKF Food Line equivalent list – inch shafts

1 3/8–1 15/16 in.

OVAL FLANGED

	Housing	Insert bearing	Shaft diameter, in.	
			1 3/8	1 7/16
SKF	Composite	Zinc coated	FYTWK 1.3/8 YTA	FYTWK 1.7/16 YTA
	Composite	Stainless steel	FYTWK 1.3/8 YTH	FYTWK 1.7/16 YTH
	Stainless steel	Stainless steel	FYTWK 1.3/8 YTHR	FYTWK 1.7/16 YTHR
NTN	Composite	Stainless steel	F-UCFLR 207-106/LP03	F-UCFLR 207-107/LP03
	Stainless steel	Stainless steel	F-UCFM 207-106/LP03	F-UCFM 207-107/LP03
NSK	Composite	Stainless steel	–	PSFT1.7/16CR
SEALMASTER	Composite	Phosphorous Nickel-coated	–	CRFTC-PN23
	Composite	Stainless steel [CR-XTREME]	–	CRXFTC-23
	Composite	Zinc dichromate coated bearing	–	CF2S-Z223 NGF
	Composite	Stainless steel [CRES CS]	–	CF2S-S223
	Stainless steel	Stainless steel [CR-XTREME]	–	CRXFTS-23
	Stainless steel	Black-oxide	–	SFT-23C CR
	Stainless steel	Phosphorous Nickel-coated	–	CRFTS-PN23
Stainless steel	Stainless steel [CRES SS]	–	SF2S-S223	
FYH	Composite	Stainless steel	UCVFL207-22S6	UCVFL207-23S6
	Composite	Plated bearing	UCVFL207-22ES7	UCVFL207-23ES7
	Stainless steel	Stainless steel	UCSFL207-22H1S6	UCSFL207-23H1S6
DODGE	Composite	Stainless steel	F2B-SCEZ-106-PCR	F2B-SCEZ-107-PCR
	Composite	Stainless steel	F2B-SCEZ-106-SHCR	F2B-SCEZ-107-SHCR

OVAL FLANGED

	Housing	Insert bearing	Shaft diameter, in.		
			1 3/16	1 1/4	1 1/4
SKF	Composite	Zinc coated	FYTWK 1.3/16 YTA	FYTWK 1.1/4 AYTA	FYTWK 1.1/4 YTA
	Composite	Stainless steel	FYTWK 1.3/16 YTH	FYTWK 1.1/4 AYTH	FYTWK 1.1/4 YTH
	Stainless steel	Stainless steel	FYTWR 1.3/16 YTHR	FYTWR 1.1/4 AYTHR	FYTWR 1.1/4 YTHR
NTN	Composite	Stainless steel	F-UCFLR 206-103/LP03	F-UCFLR 206-104/LP03	F-UCFLR 207-104/LP03
	Stainless steel	Stainless steel	F-UCFM 206-103/LP03	F-UCFM 206-104/LP03	F-UCFM 207-104/LP03
NSK	Composite	Stainless steel	PSFT1.3/16CR	PSFT1.1/4RCR	PSFT1.1/4CR
SEALMASTER	Composite	Phosphorous Nickel-coated	CRFTC-PN19	CRFTC-PN20 R	CRFTC-PN20
	Composite	Stainless steel [CR-XTREME]	CRXFTC-19	CRXFTC-20R	CRXFTC-20
	Composite	Zinc dichromate coated bearing	CF2S-Z219 NGF	CF2S-Z220S NGF	CF2S-Z220 NGF
	Composite	Stainless steel [CRES CS]	CF2S-S219	CF2S-S220S	CF2S-S220
	Stainless steel	Stainless steel [CR-XTREME]	CRXFTS-19	CRXFTS-20R	CRXFTS-20
	Stainless steel	Black-oxide	SFT-19C CR	SFT-20RC CR	SFT-20C CR
	Stainless steel	Phosphorous Nickel-coated	CRFTS-PN19	CRFTS-PN20 R	CRFTS-PN20
Stainless steel	Stainless steel [CRES SS]	SF2S-S219	SF2S-S220S	SF2S-S220	
FYH	Composite	Stainless steel	UCVFL206-19S6	UCVFL206-20S6	UCVFL207-20S6
	Composite	Plated bearing	UCVFL206-19ES7	UCVFL206-20ES7	UCVFL207-20ES7
	Stainless steel	Stainless steel	UCSFL206-19H1S6	UCSFL206-20H1S6	UCSFL207-20H1S6
DODGE	Composite	Stainless steel	F2B-SCEZ-103-PCR	F2B-SCEZ-104S-PCR	F2B-SCEZ-104-PCR
	Composite Stainless steel	Stainless steel	F2B-SCEZ-103-SHCR	F2B-SCEZ-104S-SHCR	F2B-SCEZ-104-SHCR

OVAL FLANGED

	Housing	Insert bearing	Shaft diameter, in.	
			1 1/2	1 15/16
SKF	Composite	Zinc coated	FYTWK 1.1/2 LTA	FYTWK 1.15/16 LTA
	Composite	Stainless steel	FYTWK 1.1/2 LTHR	FYTWK 1.15/16 LTHR
	Stainless steel	Stainless steel	FYTWR 1.1/2 YTHR	–
NTN	Composite	Stainless steel	F-UCFLR 208-108/LP03	–
	Stainless steel	Stainless steel	F-UCFM 208-108/LP03	F-UCFM 210-115/LP03
NSK	Composite	Stainless steel	PSFT1.1/2CR	–
SEALMASTER	Composite	Phosphorous Nickel-coated	CRFTC-PN24	–
	Composite	Stainless steel [CR-XTREME]	CRXFTC-24	–
	Composite	Zinc dichromate coated bearing	CF2S-Z224 NGF	–
	Composite	Stainless steel [CRES CS]	CF2S-S224	–
	Stainless steel	Stainless steel [CR-XTREME]	CRXFTS-24	–
	Stainless steel	Black-oxide	SFT-24C CR	SFT-31C CR
	Stainless steel	Phosphorous Nickel-coated	CRFTS-PN24	CRFTS-PN31
Stainless steel	Stainless steel [CRES SS]	SF2S-S224	–	
FYH	Composite	Stainless steel	UCVFL208-24S6	–
	Composite	Plated bearing	UCVFL208-24ES7	–
	Stainless steel	Stainless steel	UCSFL208-24H1S6	UCSFL210-31H1S6
DODGE	Composite	Stainless steel	F2B-SCEZ-108-PCR	F2B-SCEZ-115-PCR
	Composite Stainless steel	Stainless steel	F2B-SCEZ-108-SHCR	F2B-SCEZ-115-SHCR

SKF Food Line equivalent list – metric shafts
20–50 mm

SHORT BASE PLUMMER BLOCK

	Housing	Insert bearing	Shaft diameter, mm		
			20	25	30
SKF	Composite	Zinc coated	SYFWK 20 LTA	SYFWK 25 LTA	SYFWK 30 LTA
	Composite	Stainless steel	SYFWK 20 LTHR	SYFWK 25 LTHR	SYFWK 30 LTHR
	Stainless steel	Stainless steel	SYFWR 20 YTHR	SYFWR 25 YTHR	SYFWR 30 YTHR
INA	Composite	Stainless Steel	RSHEY20-TV-VA	RSHEY25-TV-VA	RSHEY30-TV-VA
ASHAI	Stainless steel	Stainless steel	MUCPA 204	MUCPA 205	MUCPA 206
FYH	Stainless steel	Stainless steel	UCSPA204H1S6	UCSPA205H1S6	UCSPA206H1S6
DODGE	Composite	Stainless steel	TB-SCEZ-20M-PCR	TB-SCEZ-25M-PCR	TB-SCEZ-30M-PCR

SHORT BASE PLUMMER BLOCK

	Housing	Insert bearing	Shaft diameter, mm		
			35	40	50
SKF	Composite	Zinc coated	SYFWK 35 LTA	SYFWK 40 LTA	SYFWK 50 LTA
	Composite	Stainless steel	SYFWK 35 LTHR	SYFWK 40 LTHR	SYFWK 50 LTHR
	Stainless steel	Stainless steel	SYFWR 35 YTHR	SYFWR 40 YTHR	–
INA	Composite	Stainless Steel	RSHEY35-TV-VA	RSHEY40-TV-VA	RSHEY50-TV-VA
ASHAI	Stainless steel	Stainless steel	MUCPA 207	MUCPA 208	MUCPA 210
FYH	Stainless steel	Stainless steel	UCSPA207H1S6	UCSPA208H1S6	–
DODGE	Composite	Stainless steel	TB-SCEZ-35M-PCR	TB-SCEZ-40M-PCR	TB-SCEZ-50M-PCR



SKF Food Line equivalent list – inch shafts

3/4–1 1/4 in.

SHORT BASE PLUMMER BLOCK

Housing		Insert bearing	Shaft diameter, in.		
			3/4	15/16	1.
SKF	Composite	Zinc coated	SYFWK 3/4 LTA	SYFWK 15/16 LTA	SYFWK 1. LTA
	Composite	Stainless steel	SYFWK 3/4 LTHR	–	SYFWK 1. LTHR
	Stainless steel	Stainless steel	SYFWR 3/4 YZTHR	–	SYFWR 1. YZTHR
SEALMASTER	Composite	Phosphorous Nickel-coated	CRTBC-PN12	–	CRTBC-PN16
	Composite	Stainless steel [CR-XTREME]	–	–	CRXTBC-16
	Composite	Zinc dichromate coated bearing	CTBS-Z212 NGF	–	CTBS-Z216 NGF
	Composite	Stainless steel [CRES CS]	CTBS-S212	–	CTBS-S216
	Stainless steel	Stainless steel [CRES SS]	STBS-S212	–	STBS-S216
FYH	Stainless steel	Stainless steel	UCSPA204-12H1S6	UCSPA205-15-H1S6	UCSPA205-16-H1S6
DODGE	Composite	Stainless steel	TB-SCEZ-012-PCR	TB-SCEZ-015-PCR	TB-SCEZ-100-PCR

SKF Food Line equivalent list – inch shafts

1 3/8–1 15/16 in.

SHORT BASE PLUMMER BLOCK

Housing		Insert bearing	Shaft diameter, in.	
			1 3/8	1 7/16
SKF	Composite	Zinc coated	SYFWK 1.3/8 LTA	SYFWK 1. 7/16 LTA
	Composite	Stainless steel	SYFWK 1.3/8 LTHR	SYFWK 1. 7/16 LTHR
	Stainless steel	Stainless steel	SYFWR 1.3/8 YZTHR	SYFWR 1. 7/16 YZTHR
SEALMASTER	Composite	Phosphorous Nickel-coated	–	CRTBC-PN23
	Composite	Stainless steel [CR-XTREME]	–	CRXTBC-23
	Composite	Zinc dichromate coated bearing	–	CTBS-Z223 NGF
	Composite	Stainless steel [CRES CS]	–	CTBS-S223
	Stainless steel	Stainless steel [CRES SS]	–	STBS-S223
FYH	Stainless steel	Stainless steel	UCSPA207-22H1S6	UCSPA207-23H1S6
DODGE	Composite	Stainless steel	TB-SCEZ-106-PCR	TB-SCEZ-107-PCR

SHORT BASE PLUMMER BLOCK

Housing		Insert bearing	Shaft diameter, in.		
			1 3/16	1 1/4	1 1/4
SKF	Composite	Zinc coated	SYFWK 1.3/16 LTA	SYFWK 1.1/4 ALTA	SYFWK 1.1/4 LTA
	Composite	Stainless steel	SYFWK 1.3/16 LTHR	SYFWK 1.1/4 ALTHR	SYFWK 1.1/4 LTHR
	Stainless steel	Stainless steel	SYFWR 1.3/16 YZTHR	SYFWR 1.1/4 AYZTHR	SYFWR 1.1/4 YZTHR
SEALMASTER	Composite	Phosphorous Nickel-coated	CRTBC-PN19	CRTBC-PN20 R	CRTBC-PN20
	Composite	Stainless steel [CR-XTREME]	CRXTBC-19	CRXTBC-20R	CRXTBC-20
	Composite	Zinc dichromate coated bearing	CTBS-Z219 NGF	CTBS-Z220S NGF	CTBS-Z220 NGF
	Composite	Stainless steel [CRES CS]	CTBS-S219	CTBS-S220S	CTBS-S220
	Stainless steel	Stainless steel [CRES SS]	STBS-S219	STBS-S220S	STBS-S220
FYH	Stainless steel	Stainless steel	UCSPA206-19H1S6	UCSPA206-20H1S6	UCSPA207-20H1S6
DODGE	Composite	Stainless steel	TB-SCEZ-103-PCR	TB-SCEZ-104S-PCR	TB-SCEZ-104-PCR

SHORT BASE PLUMMER BLOCK

Housing		Insert bearing	Shaft diameter, in.	
			1 1/2	1 15/16
SKF	Composite	Zinc coated	SYFWK 1.1/2 LTA	SYFWK 1.15/16 LTA
	Composite	Stainless steel	SYFWK 1.1/2 LTHR	SYFWK 1.15/16 LTHR
	Stainless steel	Stainless steel	SYFWR 1.1/2 YZTHR	–
SEALMASTER	Composite	Phosphorous Nickel-coated	CRTBC-PN24	–
	Composite	Stainless steel [CR-XTREME]	CRXTBC-24	–
	Composite	Zinc dichromate coated bearing	CTBS-Z224 NGF	–
	Composite	Stainless steel [CRES CS]	CTBS-S224	–
	Stainless steel	Stainless steel [CRES SS]	STBS-S224	–
FYH	Stainless steel	Stainless steel	UCSPA208-24H1S6	–
DODGE	Composite	Stainless steel	–	–



SKF Food Line equivalent list – metric shafts

20–50 mm

3-BOLT FLANGE

Housing		Insert bearing	Shaft diameter, mm		
			20	25	30
SKF	Composite	Zinc coated	FYAWK 20 LTA	FYAWK 25 LTA	FYAWK 30 LTA
	Composite	Stainless steel	FYAWK 20 LTHR	FYAWK 25 LTHR	FYAWK 30 LTHR
	Stainless steel	Stainless steel	–	–	–
DODGE	Composite	Stainless steel	FB-SCEZ-20M-PCR	FB-SCEZ-25M-PCR	FB-SCEZ-30M-PCR

SKF Food Line equivalent list – inch shafts

$\frac{3}{4}$ – $1\frac{1}{4}$ in.

3-BOLT FLANGE

Housing		Insert bearing	Shaft diameter, in.		
			$\frac{3}{4}$	$\frac{15}{16}$	1.
SKF	Composite	Zinc coated	FYAWK $\frac{3}{4}$ LTA	FYAWK $\frac{15}{16}$ LTA	FYAWK 1. LTA
	Composite	Stainless steel	FYAWK $\frac{3}{4}$ LTHR	–	FYAWK 1. LTHR
	Stainless steel	Stainless steel	–	–	–
SEALMASTER	Stainless steel	Stainless steel [CR-XTREME]	–	–	CRXFBS-16
	Stainless steel	Black-oxide	FB-12C CR	–	FB-16C CR
	Stainless steel	Phosphorous Nickel-coated	CRFBS-PN12	–	CRFBS-PN16
DODGE	Composite	Stainless steel	FB-SCEZ-012-PCR	FB-SCEZ-015-PCR	FB-SCEZ-100-PCR

SKF Food Line equivalent list – inch shafts

$1\frac{3}{8}$ – $1\frac{15}{16}$ in.

3-BOLT FLANGE

Housing		Insert bearing	Shaft diameter, in.	
			$1\frac{3}{8}$	$1\frac{7}{16}$
SKF	Composite	Zinc coated	FYAWK $1\frac{3}{8}$ LTA	FYAWK $1\frac{7}{16}$ LTA
	Composite	Stainless steel	FYAWK $1\frac{3}{8}$ LTHR	FYAWK $1\frac{7}{16}$ LTHR
	Stainless steel	Stainless steel	–	–
SEALMASTER	Stainless steel	Stainless steel [CR-XTREME]	–	CRXFBS-23
	Stainless steel	Black-oxide	–	FB-23C CR
	Stainless steel	Phosphorous Nickel-coated	–	CRFBS-PN23
DODGE	Composite	Stainless steel	FB-SCEZ-106-PCR	FB-SCEZ-107-PCR

3-BOLT FLANGE

	Housing	Insert bearing	Shaft diameter, mm		
			35	40	50
SKF	Composite	Zinc coated	FYAWK 35 LTA	FYAWK 40 LTA	FYAWK 50 LTA
	Composite	Stainless steel	FYAWK 35 LTHR	FYAWK 40 LTHR	FYAWK 50 LTHR
	Stainless steel	Stainless steel	–	–	–
DODGE	Composite	Stainless steel	FB-SCEZ-35M-PCR	–	–

3-BOLT FLANGE

	Housing	Insert bearing	Shaft diameter, in.		
			1 3/16	1 1/4	1 1/4
SKF	Composite	Zinc coated	FYAWK 1.3/16 LTA	FYAWK 1.1/4 ALTA	FYAWK 1.1/4 LTA
	Composite	Stainless steel	FYAWK 1.3/16 LTHR	FYAWK 1.1/4 ALTHR	FYAWK 1.1/4 LTHR
	Stainless steel	Stainless steel	–	–	–
SEALMASTER	Stainless steel	Stainless steel [CR-XTREME]	CRXFBS-19	CRXFBS-20 R	CRXFBS-20
	Stainless steel	Black-oxide	FB-19C CR	FB-20RC CR	FB-20C CR
	Stainless steel	Phosphorous Nickel-coated	CRFBS-PN19	CRFBS-PN20 R	CRFBS-PN20
DODGE	Composite	Stainless steel	FB-SCEZ-103-PCR	FB-SCEZ-104S-PCR	FB-SCEZ-104-PCR

3-BOLT FLANGE

	Housing	Insert bearing	Shaft diameter, in.	
			1 1/2	1 15/16
SKF	Composite	Zinc coated	FYAWK 1.1/2 LTA	FYAWK 1.15/16 LTA
	Composite	Stainless steel	FYAWK 1.1/2 LTHR	FYAWK 1.15/16 LTHR
	Stainless steel	Stainless steel	–	–
SEALMASTER	Stainless steel	Stainless steel [CR-XTREME]	–	–
	Stainless steel	Black-oxide	–	–
	Stainless steel	Phosphorous Nickel-coated	–	–
DODGE	Composite	Stainless steel	–	–



SKF Food Line equivalent list – metric shafts

20–50 mm

TAKE-UP

	Housing	Insert bearing	Shaft diameter, mm		
			20	25	30
SKF	Composite	Zinc coated	TUWK 20 LTA	TUWK 25 LTA	TUWK 30 LTA
	Composite	Stainless steel	TUWK 20 LTHR	TUWK 25 LTHR	TUWK 30 LTHR
	Stainless steel	Stainless steel	–	–	–
INA	Composite	Stainless Steel	RTUEY20-TV-VA	RTUEY25-TV-VA	RTUEY30-TV-VA
NSK	Composite	Stainless steel	PST20CR	PST25CR	PST30CR
ASHAI	Stainless steel	Stainless steel	MUCT 204	MUCT 205	MUCT 206
FYH	Stainless steel	Stainless steel	UCST204H1S6	UCST205H1S6	UCST206H1S6
DODGE	Composite	Stainless steel	WSTU-SCEZ-20M-PCR	WSTU-SCEZ-25M-PCR	WSTU-SCEZ-30M-PCR

SKF Food Line equivalent list – inch shafts

$\frac{3}{4}$ –1 $\frac{1}{4}$ in.

TAKE-UP

	Housing	Insert bearing	Shaft diameter, in.		
			$\frac{3}{4}$	$\frac{15}{16}$	1.
SKF	Composite	Zinc coated	TUWK $\frac{3}{4}$ LTA	TUWK $\frac{15}{16}$ LTA	TUWK 1. LTA
	Composite	Stainless steel	TUWK $\frac{3}{4}$ LTHR	–	TUWK 1. LTHR
	Stainless steel	Stainless steel	–	–	–
NSK	Composite	Stainless steel	PST $\frac{3}{4}$ CR	–	PST1.CR
FYH	Stainless steel	Stainless steel	UCST204-12H1S6	UCST205-15-H1S6	UCST205-16-H1S6
DODGE	Composite	Stainless steel	WSTU-SCEZ-012-PCR	WSTU-SCEZ-015-PCR	WSTU-SCEZ-100-PCR

SKF Food Line equivalent list – inch shafts

1 $\frac{3}{8}$ –1 $\frac{15}{16}$ in.

TAKE-UP

	Housing	Insert bearing	Shaft diameter, in.	
			1 $\frac{3}{8}$	1 $\frac{7}{16}$
SKF	Composite	Zinc coated	TUWK 1.3/8 LTA	TUWK 1.7/16 LTA
	Composite	Stainless steel	TUWK 1.3/8 LTHR	TUWK 1.7/16 LTHR
	Stainless steel	Stainless steel	–	–
NSK	Composite	Stainless steel	–	PST1.7/16CR
FYH	Stainless steel	Stainless steel	UCST207-22H1S6	UCST207-23H1S6
DODGE	Composite	Stainless steel	WSTU-SCEZ-106-PCR	WSTU-SCEZ-107-PCR

TAKE-UP

	Housing	Insert bearing	Shaft diameter, mm		
			35	40	50
SKF	Composite	Zinc coated	TUWK 35 LTA	TUWK 40 LTA	TUWK 50 LTA
	Composite	Stainless steel	TUWK 35 LTHR	TUWK 40 LTHR	TUWK 50 LTHR
	Stainless steel	Stainless steel	-	-	-
INA	Composite	Stainless Steel	RTUEY35-TV-VA	RTUEY40-TV-VA	RTUEY50TV-VA
NSK	Composite	Stainless steel	PST35CR	PST40CR	-
ASHAI	Stainless steel	Stainless steel	MUCT 207	MUCT 208	MUCT 210
FYH	Stainless steel	Stainless steel	UCST207H1S6	UCST208H1S6	UCST210H1S6
DODGE	Composite	Stainless steel	WSTU-SCEZ-35M-PCR	-	-

TAKE-UP

	Housing	Insert bearing	Shaft diameter, in.		
			1 3/16	1 1/4	1 1/4
SKF	Composite	Zinc coated	TUWK 1.3/16 LTA	TUWK 1.1/4 ALTA	TUWK 1.1/4 LTA
	Composite	Stainless steel	TUWK 1.3/16 LTHR	TUWK 1.1/4 ALTHR	TUWK 1.1/4 LTHR
	Stainless steel	Stainless steel	-	-	-
NSK	Composite	Stainless steel	PST1.3/16CR	PST1.1/4RCR	PST1.1/4CR
FYH	Stainless steel	Stainless steel	UCST206-19H1S6	UCST206-20H1S6	UCST207-20H1S6
DODGE	Composite	Stainless steel	WSTU-SCEZ-103-PCR	WSTU-SCEZ-104S-PCR	WSTU-SCEZ-104-PCR

TAKE-UP

	Housing	Insert bearing	Shaft diameter, in.	
			1 1/2	1 15/16
SKF	Composite	Zinc coated	TUWK 1.1/2 LTA	TUWK 1.15/16 LTA
	Composite	Stainless steel	TUWK 1.1/2 LTHR	TUWK 1.15/16 LTHR
	Stainless steel	Stainless steel	-	-
NSK	Composite	Stainless steel	PST1.1/2CR	-
FYH	Stainless steel	Stainless steel	UCST208-24H1S6	UCST210-31H1S6
DODGE	Composite	Stainless steel	-	-



® SKF is a registered trademark of the SKF Group.

© SKF Group 2015

The contents of this publication are the copyright of the publisher and may not be reproduced (even extracts) unless prior written permission is granted. Every care has been taken to ensure the accuracy of the information contained in this publication but no liability can be accepted for any loss or damage whether direct, indirect or consequential arising out of the use of the information contained herein.

PUB BU/P1 10844/4 EN · October 2015

Certain image(s) used under license from Shutterstock.com

The SKF logo is displayed in white, bold, uppercase letters on a blue background. The letters 'S', 'K', and 'F' are separated by small gaps. A registered trademark symbol (®) is located at the bottom right of the 'F'.