



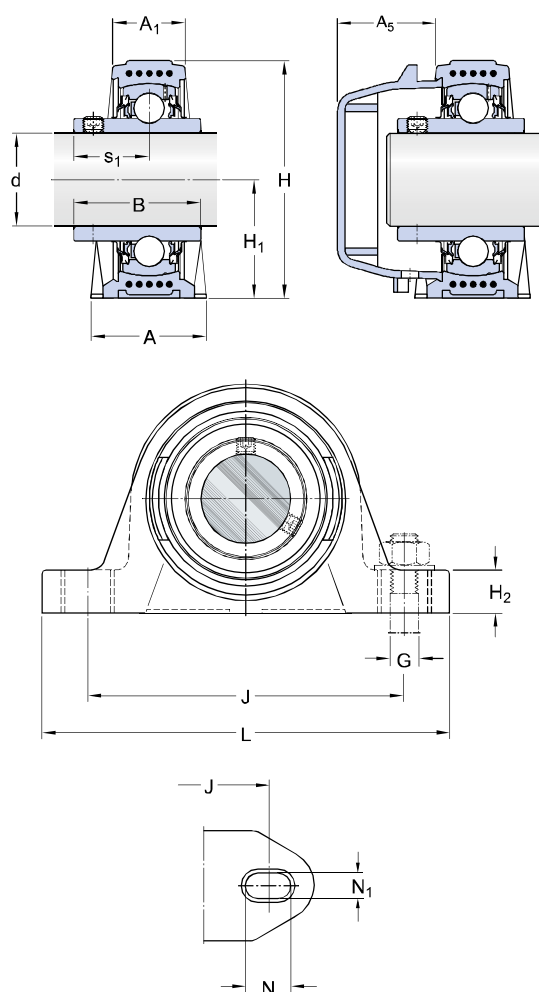
Y-bearing plummer block units

SYWK 20 YTH

Material

Composite for food and beverage

Dimensions



d	20	mm
A	32	mm
A ₁	21	mm
A ₅	26.3	mm
B	31	mm
H	64	mm
H ₁	33.3	mm
H ₂	16	mm
J	96	mm
J	max.	101 mm
J	min.	91 mm
L	126	mm
N	17.5	mm
N ₁	12.5	mm
s ₁	18.3	mm

Calculation data

Basic dynamic load rating	C	10.8	kN
Basic static load rating	C ₀	6.5	kN
Fatigue load limit	P _u	0.28	kN
Limiting speed (with shaft tolerance h6)		5000	r/min

Mass

Mass bearing unit		0.27	kg
Mounting information			
Hexagonal key size for grub screw	N	3	mm
Recommended tightening torque for grub screw		4	Nm
Recommended diameter for attachment bolts		10	mm
Recommended diameter for attachment bolts		0.375	in
Recommended products			
Housing		504	
Bearing		A 204.2 F/H	
Recommended products			
End cover		C 204	