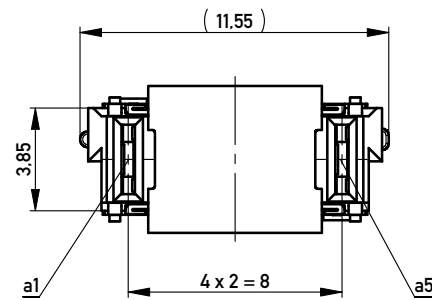
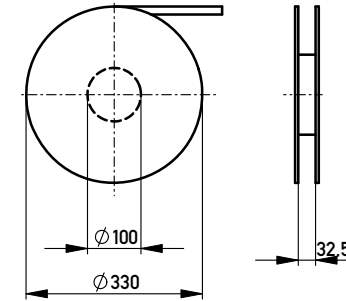
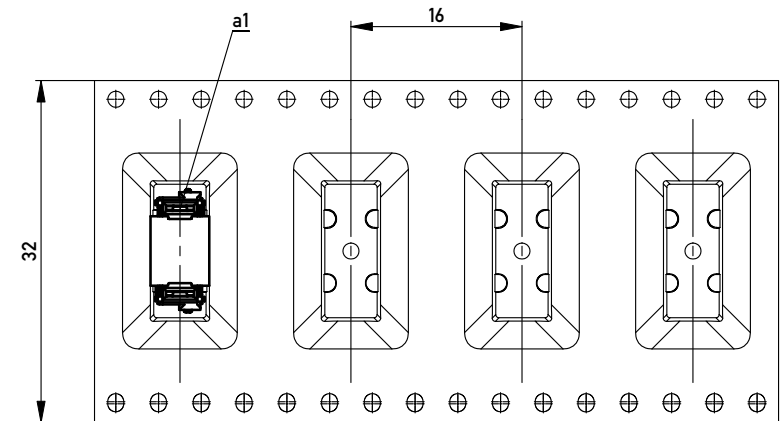


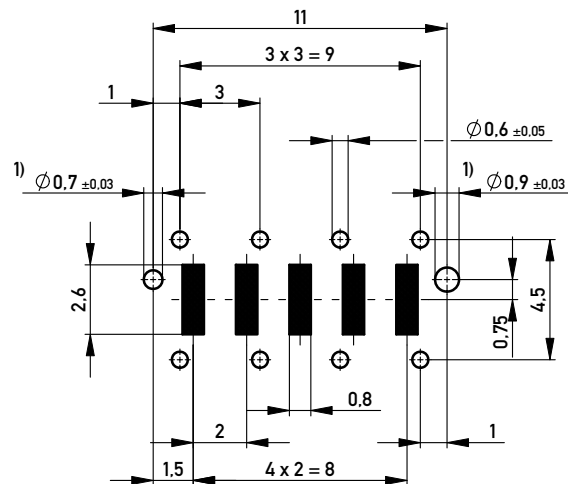
Verpackt in Gurtverpackung - *Tape on Reel Packaging*  
 Verpackungseinheit: 420 Stück - *Packaging unit: 420 pcs*



Abspulrichtung - *Reel off Direction* →



Leiterplatten-Lay-out Vorschlag / *PCB-layout proposal*



1) Durchmesser des Bohrers / *Drill tool*

Anforderungsstufe 1  
*Performance Level 1*

Kontaktbereich vergoldet  
*Mating Area gold plating*

Anschlussbereich verzinkt 4-6µm  
*Terminal Area 4-6µm tin plating*

Koplanarität der Anschlüsse ≤ 0.1mm  
*Coplanarity Area of Termination ≤ 0.1mm*

Information:		Tolerances		Scale	5:1
All rights reserved. Only for Information. To ensure that this is the latest version of this drawing, please contact one of the ERNI companies before using.		All Dimensions in mm		Designation	
Subject to modification without prior notice. Drawing will not be updated.				Federleiste THR, Powerm. 6mm Female Con. THR, Powerm. 6mm	
f	12.10.2010	www.ERNI.com		214913	
Index	Date			I A3	
				Class	MSPEED

Copyright by ERNI GmbH  
 Proprietary notice pursuant to ISO 16016 to be observed.

# Mouser Electronics

Authorized Distributor

Click to View Pricing, Inventory, Delivery & Lifecycle Information:

[TE Connectivity:](#)

[214913](#) [214913-E](#)