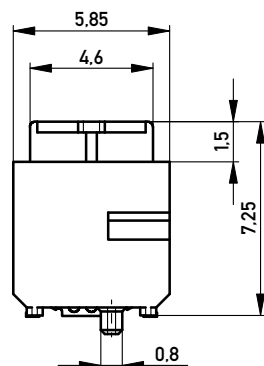
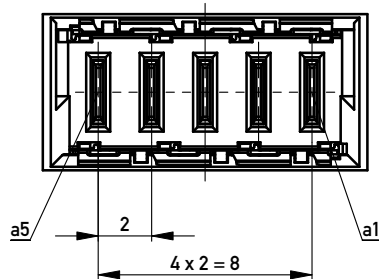
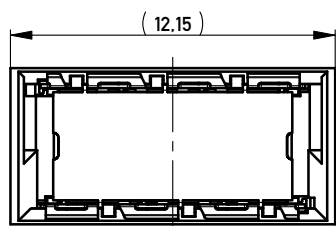
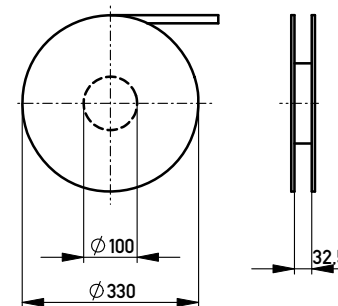


Ansaughaube  
hood

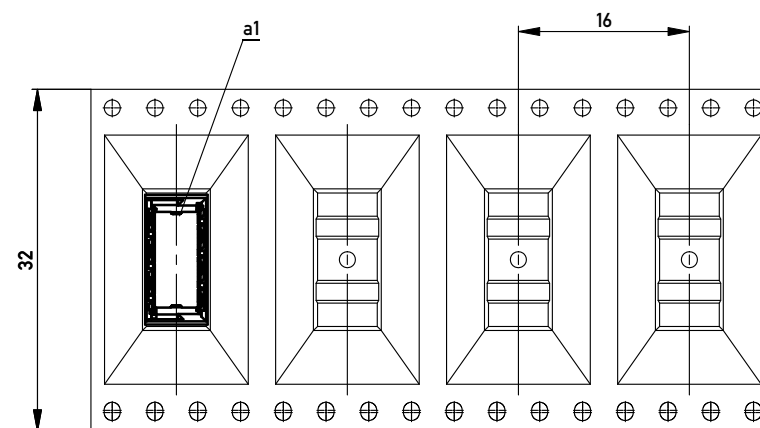


ohne Ansaughaube  
without hood

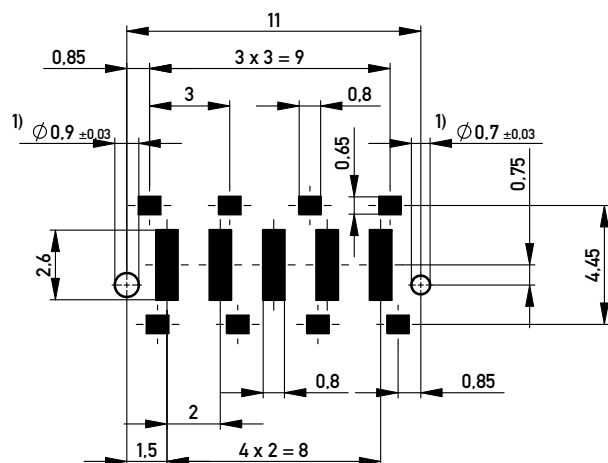
Verpackt in Gurtverpackung - Tape on Reel Packaging  
Verpackungseinheit: 420 Stück - Packaging unit: 420 pcs



Abspulrichtung - Reel off Direction



Leiterplatten-Layout Vorschlag / PCB-layout proposal



Anforderungsstufe 1  
Performance Level 1

Kontaktbereich vergoldet  
Mating Area gold plating

Anschlussbereich verzinkt 4-6 µm  
Terminal Area 4-6 µm tin plating

Koplanarität der Anschlüsse ≤ 0,1 mm  
Coplanarity Area of Termination ≤ 0,1 mm

1) Durchmesser des Bohrers / Drill tool

Information:		Tolerances	Scale 5:1
All rights reserved. Only for Information. To ensure that this is the latest version of this drawing, please contact one of the ERNI companies before using.		All Dimensions in mm	Designation <b>Messerleiste SMD, Powerm. 2mm</b> <b>Male Con. SMD, Powerm. 2mm</b>
i	06.08.2010	Class MSPEED	
Index	Date	A3	

Copyright by ERNI GmbH. Proprietary notice pursuant to ISO 16016 to be observed.

# Mouser Electronics

Authorized Distributor

Click to View Pricing, Inventory, Delivery & Lifecycle Information:

[TE Connectivity:](#)

[214550](#) [214550-E](#)