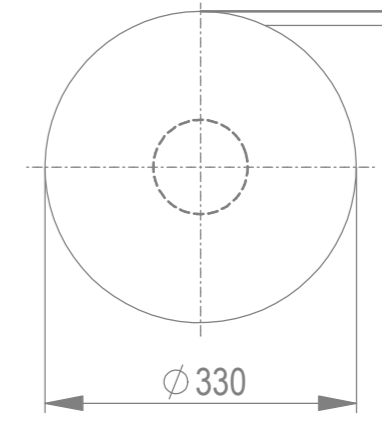
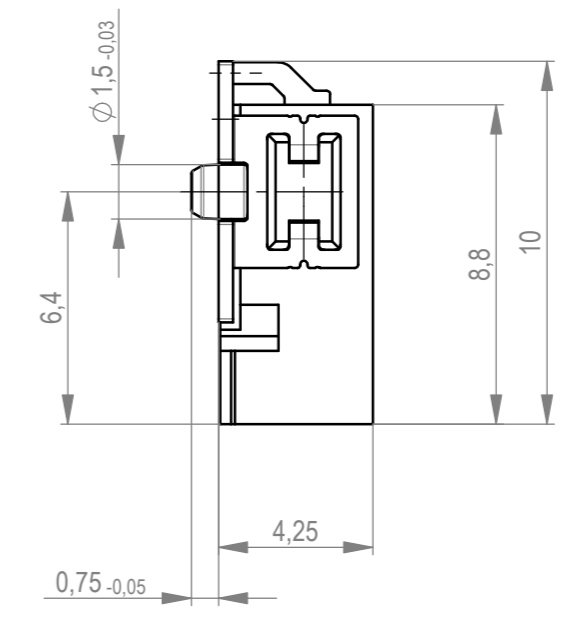
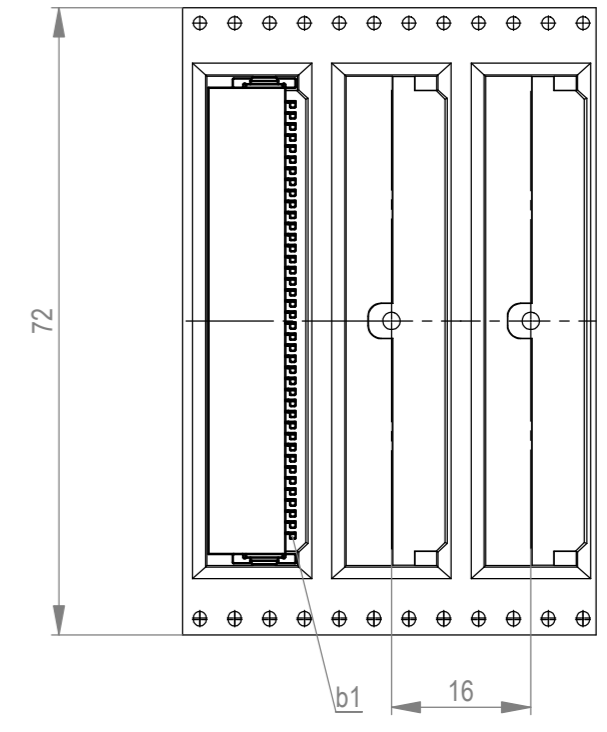


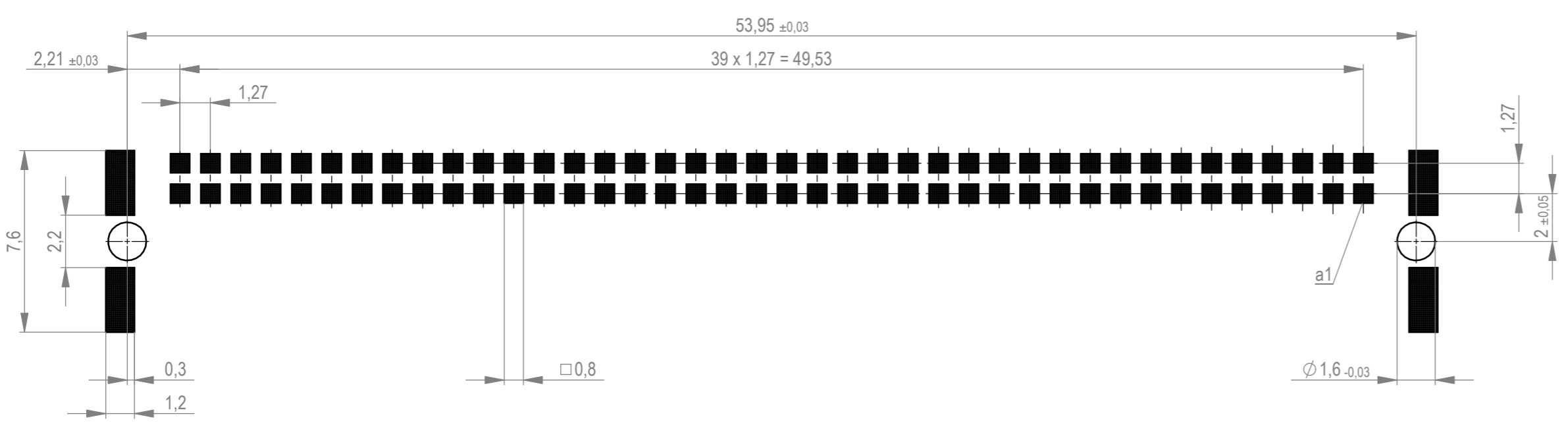
Verpackt im Gurt in Anlehnung an DIN IEC 60286-3
 tape on reel packaging according to DIN IEC 60286-3
 Verpackungseinheit: 560 Stück
 packaging unit: 560 pcs



Abspulrichtung - reel off direction



Leiterplatten-Layout Vorschlag für SMT
 PCB-Layout Proposal for SMT



Anforderungsstufe 1
 performance level 1
 Kontaktbereich vergoldet
 mating area gold plating
 Anschlussbereich verzinkt 4-6 μ m
 terminal area 4-6 μ m tin plating
 Koplanarität der Anschlüsse $\leq 0,1$ mm
 coplanarity area of termination $\leq 0,1$ mm

BA7-03 - Standard Bauhöhe
 type7-03 - Standard Assembly Height

Dimension no.	Tolerances	Scale	5:1
	ISO 8015	Material	
Customer drawing:	Subject to modification without prior notice. Drawing will not be updated.		
All rights reserved. Only for information. To ensure that this is the latest version of this drawing, please contact one of the ERNI companies before using.	Messerli. SMC-B 80-SMD-BA7-03 Male SMC-B 80-SMD-type7-03		
f	04.02.2020	ERNI International AG	1
Index	Date	Zürichstrasse 72 8306 Brüttisellen - Zürich Switzerland	A2
		Class	SMCB

Wichtigste sowie vollständige dieses Dokuments, Verwertung und Mitteilung dieses Inhalts sind ohne Erlaubnis der Erni International AG ausdrücklich untersagt.
 All rights reserved. Only for information. To ensure that this is the latest version of this drawing, please contact one of the ERNI companies before using.

Mouser Electronics

Authorized Distributor

Click to View Pricing, Inventory, Delivery & Lifecycle Information:

[TE Connectivity:](#)

[154767](#) [154767-E](#)