

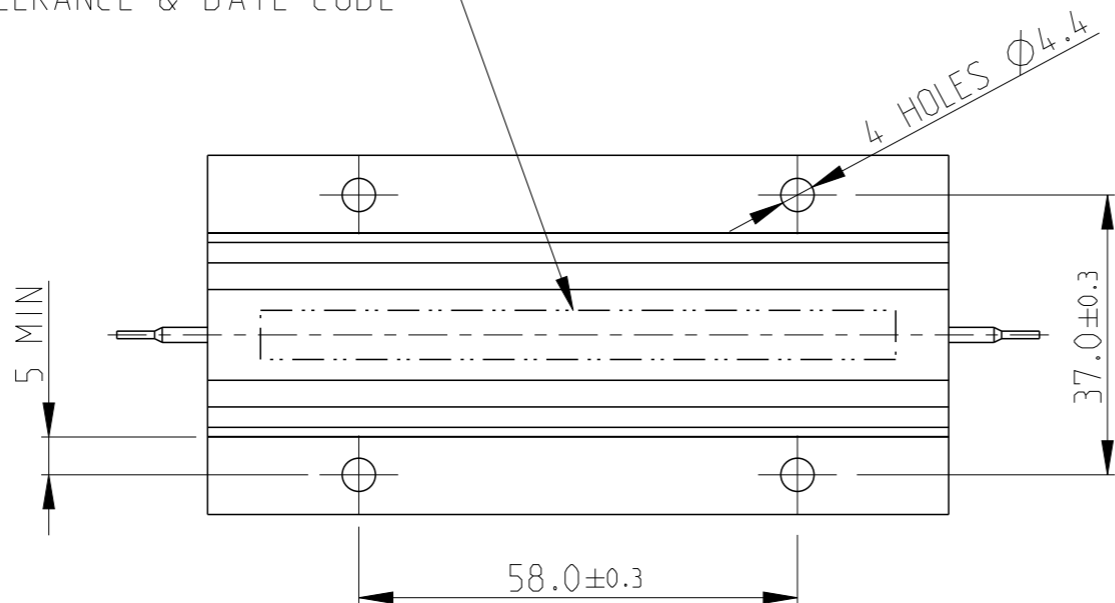
LOC  
E

DIST  
B

REVISIONS

P	LTR	DESCRIPTION	DATE	DWN	APVD
	A2	REVISED PER ECO-11-005150	29MAR2011	RK	HMR
	S	ECR-16-003733	12MAR2016	KR	TN

LASER MARKING: TE LOGO PN VALUE  
TOLERANCE & DATE CODE



1 FOR FURTHER INFORMATION SEE DATA SHEET FOR HS SERIES-ALUMINIUM HOUSED RESISTORS

2 FOR A SPECIFIC PN FOR A RESISTANCE VALUE AND TOLERANCE, PLEASE REFER TO DMF

3 TECHNICAL SPECIFICATION

DISSIPATION AT 25°C : 150 WATTS MOUNTED ON STD HEATSINK

OHMIC RANGE : R10 TO 100K

STABILITY : ΔR < =2% PER 1000hrs

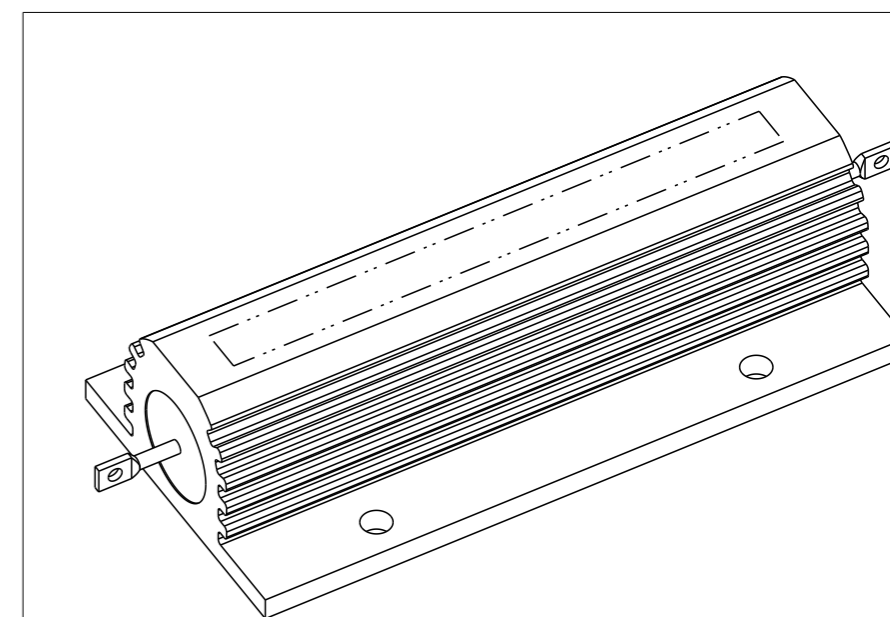
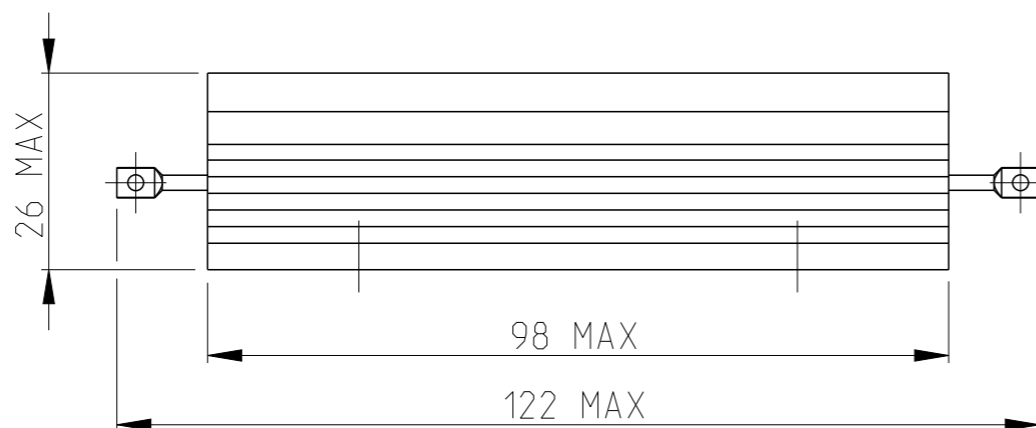
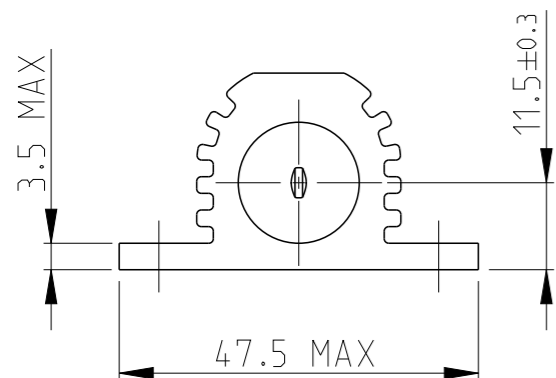
ISOLATION VOLTAGE : 3500V DC/AC pk

MAX WORKING VOLTAGE : 2500V DC/AC rms

TEMPERATURE COEFFICIENT : > 1R0 50ppm  
> 100R 25ppm

CLIMATIC CATEGORY : 55/200/56

RoHS Compliant



THIS DRAWING IS A CONTROLLED DOCUMENT.

DWN 28.SEP.05  
DAVE KENNEDY  
CHK 28.SEP.05  
J CATCHPOLE  
APVD 28.SEP.05  
J CATCHPOLE

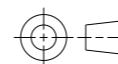
**STE** TE Connectivity

DIMENSIONS:

mm

TOLERANCES UNLESS OTHERWISE SPECIFIED:

0 PLC ±0.5  
1 PLC ±0.2  
2 PLC ±0.1  
3 PLC ±  
4 PLC ±  
ANGLES ±5°



MATERIAL -

FINISH -

PRODUCT SPEC -

APPLICATION SPEC -

WEIGHT -

NAME		HSC 150	
SIZE	CAGE CODE	DRAWING NO	RESTRICTED TO
A3	00779	C-1630012	-

CUSTOMER DRAWING SCALE 1:1 SHEET 1 OF 1 REV S

# Mouser Electronics

Authorized Distributor

Click to View Pricing, Inventory, Delivery & Lifecycle Information:

[TE Connectivity:](#)

[HSC15010RJ](#)