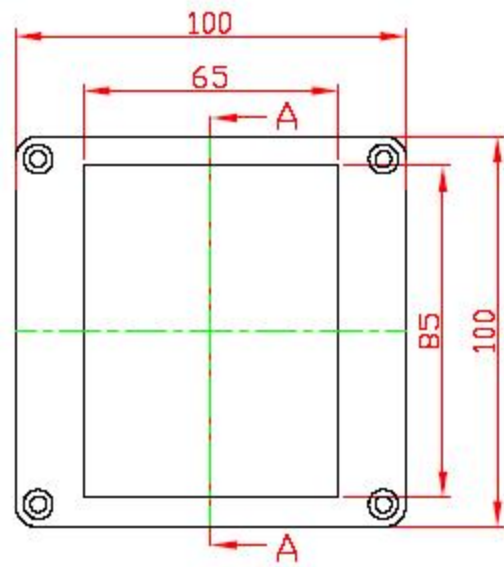
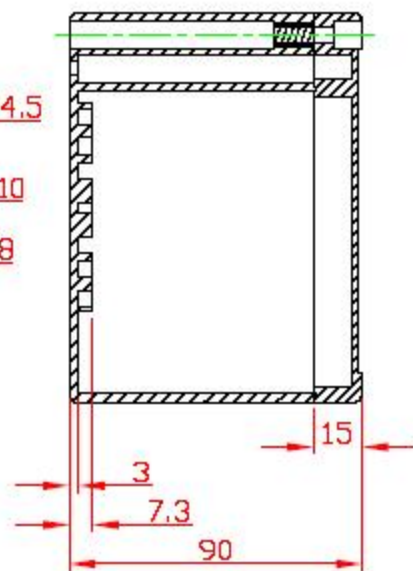


VIEW OF BASE



VIEW OF LID

