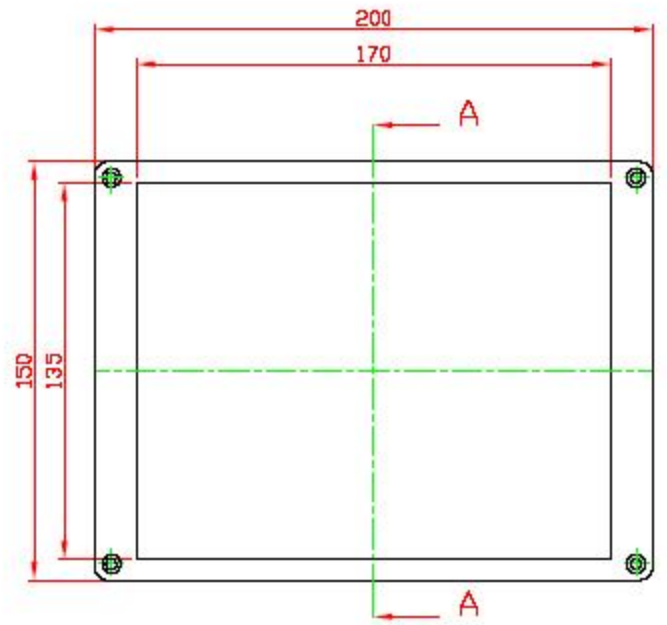
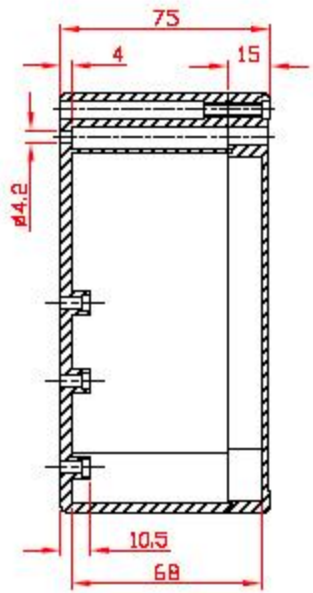
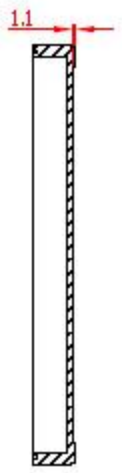


VIEW OF BASE



VIEW OF LID



A-A