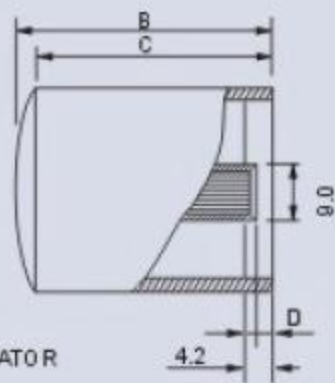


φ1.4 RECESS INDICATOR R



PART NO.	A	B	C	D
<b>41027-1</b>	14.1	16.5	15	4.5
<b>41027-2</b>	20.2	20.3	18.4	0
<b>41027-3</b>	34.8	20.2	17.7	4.8