

## FEATURES

- 14 contacts
- Pitch of 2.18 mm
- 1A current rating
- Straight body orientation
- Minimum operating temperature of  $-55^{\circ}\text{C}$  without cracking
- Maximum operating temperature of  $+105^{\circ}\text{C}$  without melting
- Tin contact plating, brass contact material, PBT housing material

# RS PRO 14-Way IDC Connector Plug for Cable Mount, 2-Row

RS Stock No.: 239-1190



RS Professionally Approved Products bring to you professional quality parts across all product categories. Our product range has been tested by engineers and provides a comparable quality to the leading brands without paying a premium price.

## Product Description

An IDC connector is also known as an insulation-displacement contact connector. It's a straightforward way of making I/O (input/output) interconnections and is used in a variety of industries for computing, communications and networking purposes. This RS PRO cable mount plug has 14 pins arranged in two rows. Couple it with a compatible socket-style female connector.

## General Specifications

<b>Connector Type</b>	Plug
<b>Number of Contacts</b>	14
<b>Number of Rows</b>	2
<b>Gender</b>	Male
<b>Body Orientation</b>	Straight
<b>Contact Material</b>	Brass
<b>Housing Material</b>	Metal
<b>Colour</b>	Silver
<b>Applications</b>	Computers connecting drives, cd drives, SSD's and other components

## Electrical Specifications

<b>Current Rating</b>	1A
<b>Termination Method</b>	Solder
<b>Contact Plating</b>	Tin
<b>Insulator Resistance</b>	>1000mO at 500V
<b>Contact Resistance</b>	<25mO
<b>Insulator</b>	PBT UL94V-0
<b>Shell</b>	Steel, nickel over copper plated
<b>Hood</b>	Steel

### Mechanical Specifications

Pitch	2.18mm
Mounting Type	Cable Mount

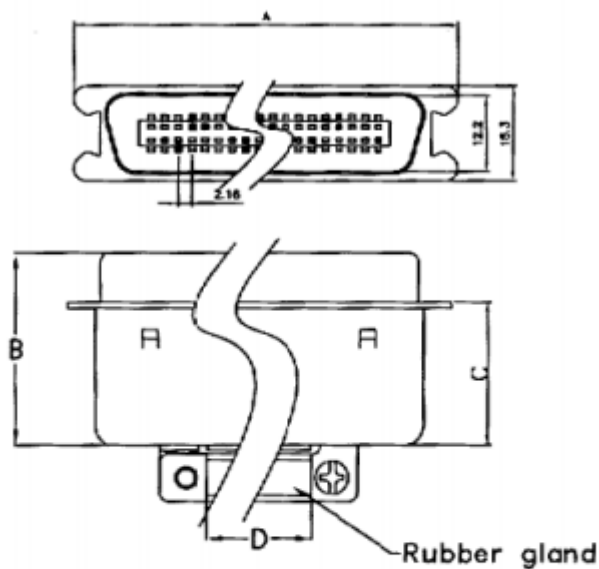
### Operation Environment Specifications

Operating Temperature Range	-55°C to +105°C
Minimum Operating Temperature	-55°C
Maximum Operating Temperature	+105°C

### Approvals

Standards Met	IEEE 428; IEEE 488
---------------	--------------------





POSITION	A	B	C	D
14F	37.8	41.0	21.4	7.6
24F	48.6	41.4	21.0	11.3
36F	61.6	42.4	23.0	16.8
50F	76.7	45.0	25.4	19