

## Data Sheet | Item Number: 216-262

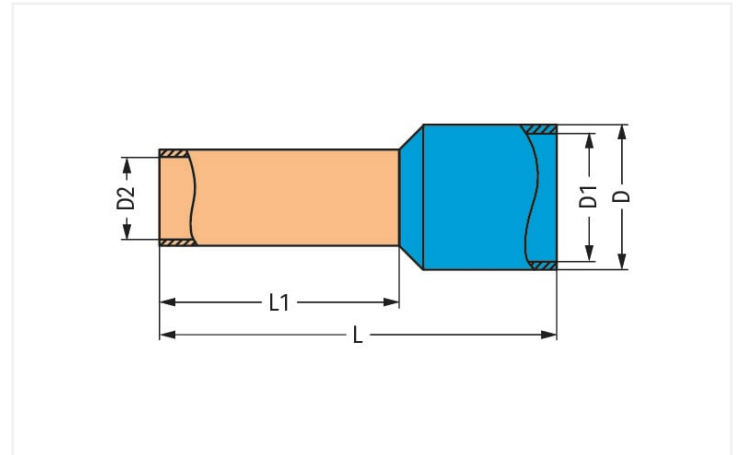
Ferrule; Sleeve for 0.75 mm<sup>2</sup> / 18 AWG; insulated; electro-tin plated; electrolytic copper; gastight crimped; acc. to DIN 46228, Part 4/09.90; gray

<https://www.wago.com/216-262>



Color:  gray

Similar to illustration



Dimensions in mm

### Technical data

Main product function	Ferrule
Sleeve cross-section (AWG)	18 AWG
Sleeve for	0.75 mm <sup>2</sup>

### Connection data

Strip length	14 mm / 0.55 inches
--------------	---------------------

### Physical data

Length	18 mm
Length 1	12 mm
Diameter	3.3 mm
Diameter 1	2.8 mm
Diameter 2	1.2 mm

### Mechanical Data

Suitable	2002 to 2006 Series
----------	---------------------

### Material Data

Color	gray
Fire load	0.002 MJ
Weight	0.1 g

### Commercial data

PU (SPU)	1000 pcs
Packaging type	Box
Country of origin	DE
GTIN	4044918604284
Customs tariff number	85369010000

### Downloads

#### Environmental Product Compliance

##### Compliance Search

Environmental Product Compliance 216-262	
--	--

### Documentation

#### Bid Text

216-262	19.02.2019	xml 2.80 KB	
216-262	11.09.2017	doc 24.00 KB	

### Installation Notes

