

New

# TF037E

## MICRO BLOWERS

### FEATURES

- Aerodynamic bearings
- Compact / Light weight
- High static pressures
- Low vibration
- Long life due to aerodynamic bearings without heat dependence
- Quick Fastener P14 (Air Inlet / Air Outlet)
- Resin in full compliance with UL94 V0



### STANDARD SPECIFICATIONS

- Unless otherwise specified, the environmental conditions are 23°C±5°C, normal humidity, and atmospheric pressure range 90 to 106 kPa.

No.	Item	Part number	TF037E-2000-F	Remarks
1	Operating Voltage Range		10~30 V	
2	Direction of Rotation		(Counterclockwise viewing from the air vent side)	
3	Kind of Gas		Normal Air	Do not use to any corrosive gas.
4	Type of Motor		3 phase 8 pole Brushless (Y Connection)	
5	Number of Poles		8 Poles (4 pole pairs)	
6	Bearing Type		Aero Dynamic Bearing	
7	Recommended Mounting Position		Axis Vertical (Plate Downward)	Avoid vibration and shock while the product is operating. It may damage product
8	Maximum Input Coil current		3.0 A Max.	In case, the rotor is lock up, the coil may be destroyed by surge current. The protection circuit to prevent surge current must be installed for safety.
9	Power Supply Current		0.9 A Max.	at 3.0 kPa 100 L/min Temperature: 23±5°C, Humidity: 45~85%RH, Air Pressure: 101.3 kPa
10	Power Consumption		21.6 W Max.	
11	Minimum Flowrate		5 L/min	
12	Torque Constant		0.0025 N·m/A	

# TF037E

## MICRO BLOWERS

No.	Item	Part number	TF037E-2000-F	Remarks
13	Rotation Speed Range		6,000~45,000 rpm	Rotation Speed = Hole Sensor Frequency×15
14	Acoustic Audible Noise		at 3.0 kPa 100 L/min Temperature:23±5°C, Humidity:45~85%RH, Air Pressure:101.3 kPa	Measured 1 m away from the intake vent (Including dark noise as 15 dB)
15	Coil Resistance		0.5 Ω	at 20°C (Between 2 phase)
16	Coil Inductance		20 μH	at 20°C, 10 kHz (Between 2 phase)
17	Insulation Class		E grade (JIS C 4003 Cable for Coil)	JIS C 4003
18	Insulation Resistance		20 MΩ Min. between Coil terminal and Plate at 500 VDC(JIS C 4003)	JIS C 4003
18	Insulation Pressure Resistance		Leak Current: 1 mA Max.	JIS C 4003
20	Fixing Leg		With	
21	Weight		165 g (reference value)	
22	Rotor Inertia		1.9×10 <sup>-6</sup> kg·m <sup>2</sup>	
23	Operating Temperature And Humidity		-10~60°C, 10~95%RH	Condensation may cause damage to product.
24	Storage Temperature Range		-20~60°C	Condensation may cause damage to product.
25	Storage Humidity Range		10~90%RH	

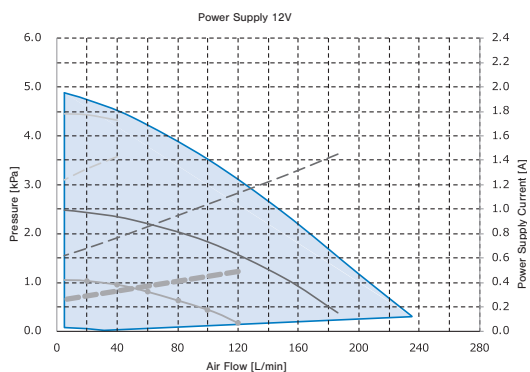
### OPERATING RANGE IN P-Q & Q-I RATING

- P-Q and Q-I conditions must not exceed the ratings listed below.
- The general purpose driver TF037E-1000-D is setup to the configuration for general use. In using the general purpose driver, the output may not reach the maximum ratings listed below.
- P-Q and Q-I characteristics are for reference purpose only. The driver must be configured properly by measuring the actual condition before use.

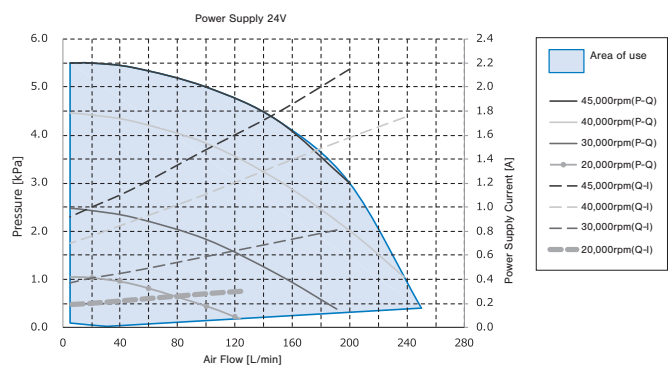
※ The characteristics below are measured with our company's driver at axis vertical position.

※ Ambient Temperature : 25°C, Barometric Pressure: 101.3 kPa

#### Characteristics at 12 V P-Q/Q-I



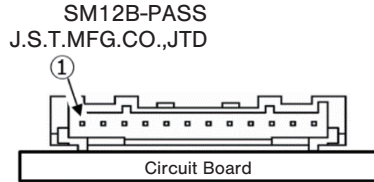
#### Characteristics at 24 V P-Q/Q-I



# TF037E

## MICRO BLOWERS

### CONNECTOR



### HARNESS SIDE

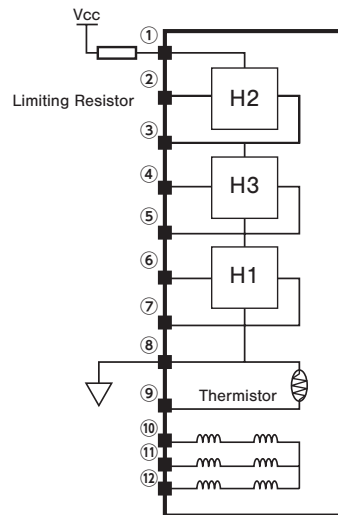
J.S.T.MFG.CO.,JTD SM12B-PASS	
Pressure Welding	12PAF-6S (Retainer: PAFS-12V-S)
Crimping	PAP-12V-S (Contact: SPHD-001T-P0.5)

- Both pressure welding and crimping are available.
- Recommended size: AWG#22

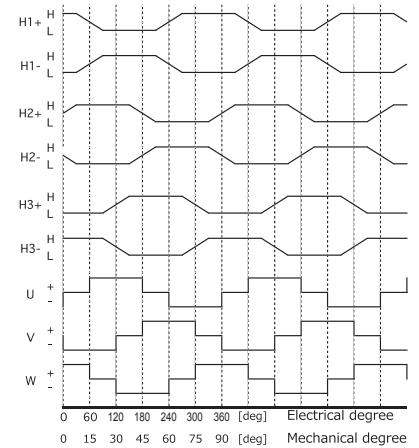
### TERMINAL ARRAY

Pin No.	Symbol	Content
①	Vcc	Power for Hall Sensor
②	H2-	Output of Hall 2
③	H2+	
④	H3-	Output of Hall 3
⑤	H3+	
⑥	H1-	Output of Hall 1
⑦	H1+	
⑧	GND	GND
⑨	TH	Thermistor
⑩	V	Coil (V)
⑪	W	Coil (W)
⑫	U	Coil (U)

### INTERNAL CIRCUIT / LIMITING RESISTOR



### TIMING CHART



- The current into the hall sensor must be restricted within the rating listed below by using a resistor.

### HALL SENSOR CHARACTERISTIC

Input Current	10 mA Max.	At maximum operating load at temperature 60°C
Input Resistance	250 ~ 450 Ω	Per one Hall sensor
Differential Output	300 mV p-p Min.	VH = (VH+)-(VH-) at 10 mA in Input current

• Equivalent of ASAHI KASEI Electronics HW-105A

### THERMISTOR CHARACTERISTIC

Reference Resistance 25°C	10 kΩ
Operating Current 25°C	0.31 mA
B Constant[25/85°C]	4,100 K
Maximum Temperature	86°C (Thermistor Resistance: 0.97 kΩ)

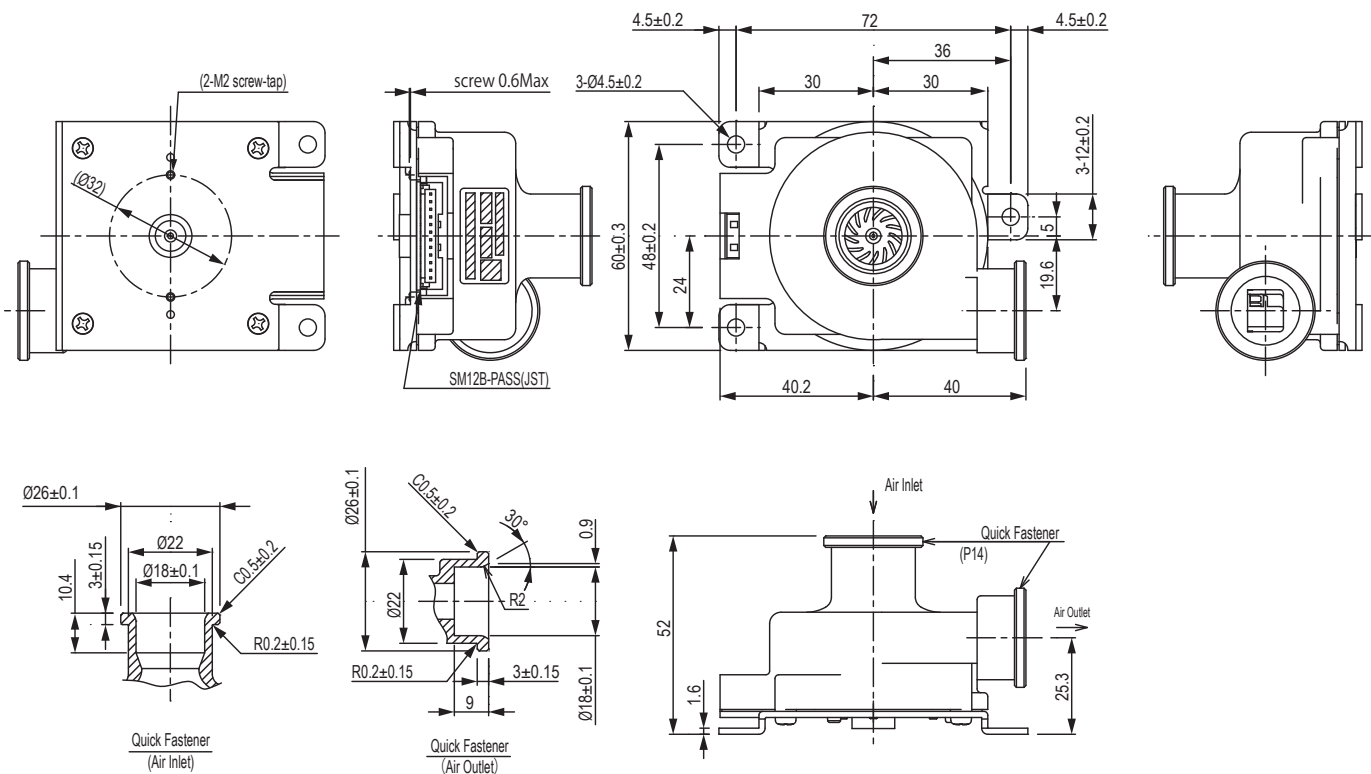
• Equivalent of TDK NTCG164BH103JT

# TF037E

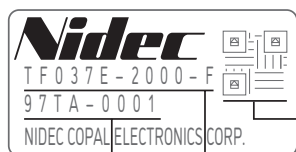
## MICRO BLOWERS

### OUTLINE DIMENSIONS

Unless otherwise specified, tolerance : ±0.5(Unit: mm)



### Marking



- QR code : Part Number, Lot No, Serial No
- Part Number : TF037C-2000-F, TF037C-2100-F, TF037E-2000-F, TF037F-2000-F
- Lot No. : Year (Last two digit of year), Month (Table 1), Day (Table 2), Control Number (A to Z)
- Serial No. : Index by LOT

[Table 1]

Month	1	2	3	4	5	6	7	8	9	10	11	12
No.	1	2	3	4	5	6	7	8	9	O	N	D

[Table 2]

Day	1	2	3	4	5	6	7	8	9	10	11	12	13	14	15	16	17	18	19	20
No.	1	2	3	4	5	6	7	8	9	A	B	C	D	E	F	G	H	J	K	L

Day	21	22	23	24	25	26	27	28	29	30	31
No.	M	N	P	Q	R	T	U	V	W	X	Y

The Drivers are sold separately as an optional item. (Ref.P430)

# Mouser Electronics

Authorized Distributor

Click to View Pricing, Inventory, Delivery & Lifecycle Information:

[Nidec:](#)

[TF037E-2000-F](#)