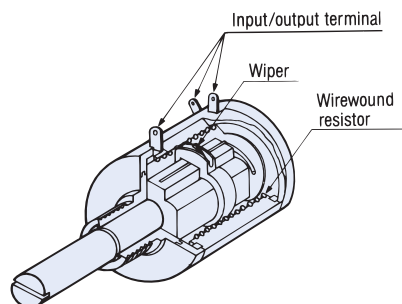


# WIREWOUND MULTITURN TYPE **M22L10** series

RoHS compliant



Basic construction  
Wirewound multiturn type



## FEATURES

- Fine setting is possible
- Long life
- RoHS compliant

## PART NUMBER DESIGNATION

M22L10 - 000 - 102

Series name

Nominal resistance value ( $\Omega$ )

000-102 : 1 k  
000-202 : 2 k  
000-502 : 5 k  
100-103 : 10 k  
100-203 : 20 k

## LIST OF PART NUMBERS

| Nominal resistance value ( $\Omega$ ) | Part number    |
|---------------------------------------|----------------|
| 1 k                                   | M22L10-000-102 |
| 2 k                                   | M22L10-000-202 |
| 5 k                                   | M22L10-000-502 |
| 10 k                                  | M22L10-100-103 |
| 20 k                                  | M22L10-100-203 |

# M22L10 series

## POTENTIOMETERS

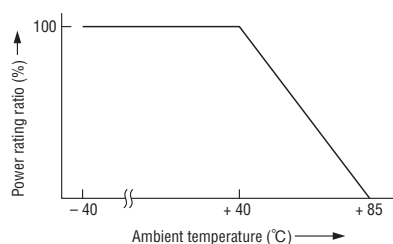
### STANDARD SPECIFICATIONS

| Item                            | Part number          | M22L10 series   |
|---------------------------------|----------------------|---|
| Resistance tolerance            | %                    | ± 5   |
| Independent linearity           | %                    | ± 0.2   |
| End resistance, maximum         |                      | 5 Ω   |
| Effective electrical angle      |                      | 3600°   |
| Mechanical angle                |                      | 3600° $^{+10°}_0$                                       |
| Power rating                    | W                    | 2   |
| Dielectric strength             | Vrms                 | 1000 1 min  |
| Insulation resistance           | MΩ minimum           | 1000 (at DC 500 V)                                      |
| Rotational torque               | mN·m (gf·cm) maximum | 9.81 {100}  |
| Strength of tighten screw       | N·m (kgf·cm) maximum | 0.98 {10}   |
| Stop strength                   | N·m (kgf·cm) maximum | 0.196 {2}   |
| Peak noise                      | Ω maximum            | 50 (at 4 min <sup>-1</sup> )                            |
| Temp. coefficient of resistance | ppm/°C               | ± 50  |
| Operating temp. range           | °C                   | -40 ~ 85  |
| Rotational life                 |                      | 5 million turns (At the reciprocation of ten rotations) |
| Net weight                      | g                    | Approx. 19  |
| Protection grade                |                      | IP40  |

### NOMINAL RESISTANCE · RESOLUTION · RATED VOLTAGE · RATED CURRENT

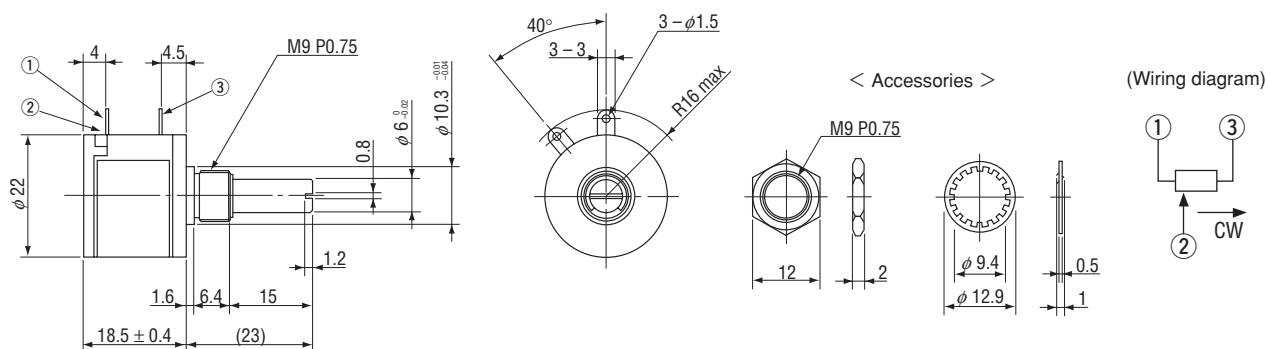
| Nominal resistance value (Ω) | Resolution (%) | Rated voltage (V) | Rated current (mA) |
|------------------------------|----------------|-------------------|--------------------|
|                              | M22L10 series  | M22L10 series     | M22L10 series      |
| 1 k                          | 0.025          | 44.7              | 44.7               |
| 2 k                          | 0.020          | 63.2              | 31.6               |
| 5 k                          | 0.014          | 100.0             | 20.0               |
| 10k                          | 0.018          | 141.1             | 14.1               |
| 20 k                         | 0.014          | 200.0             | 10.0               |

### RATED POWER DERATING CURVE



### OUTLINE DIMENSIONS

(Unit: mm)



# Mouser Electronics

Authorized Distributor

Click to View Pricing, Inventory, Delivery & Lifecycle Information:

[Nidec:](#)

[M22L10-000-102](#) [M22L10-000-103](#) [M22L10-000-202](#) [M22L10-000-203](#) [M22L10-000-502](#)