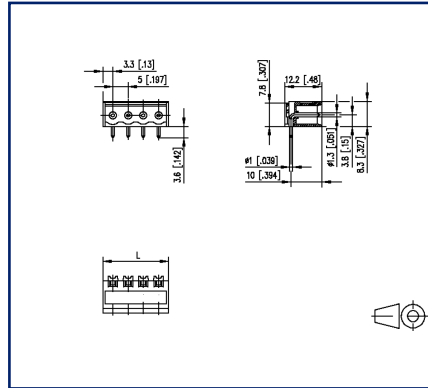


**Data sheet**  
**PT045xxHBBN Typ 030**

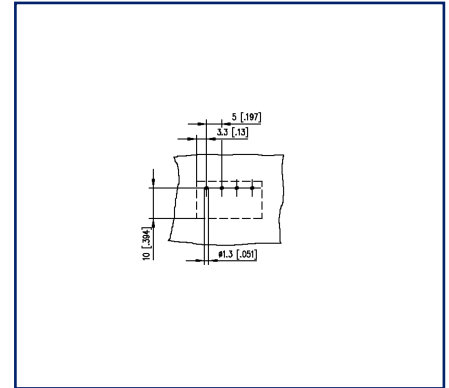
**Illustrations**



Dimensional drawing



Drill pattern



See enlarged drawings at the end of document

**Product specification**



- pin header, solderable
- centerline 5.00 mm, direction of connection 90°
- closed ends
- color black

## Technical Data

### General Data

Solder pin length	3.6 mm		
min. number of poles	2		
max. number of poles	22		
Insulating material class	CTI 600		
clearance/creepage dist.	3.7 mm		
Protection category	IP00		
Rated current	10 A		
Overvoltage category	III	III	II
Pollution degree	3	2	2
Rated voltage	250 V	630 V	630 V
Rated test voltage	4 kV	4 kV	4 kV

### Approvals

 V / A	300 / 15
approval UL - File No.	E121004
 1.5 mm <sup>2</sup>	250 V / 4 kV / 10 A / 1.0 mm

### Material

insulating material	PA66
flammability class	V0
contact pin material	CuZnPb
contact pin surface	Ni + Ag
Glow-Wire Flammability GWFI	960 °C acc. to IEC 60695-2-12
Glow-Wire Flammability GWIT	775 °C acc. to IEC 60695-2-13
REACH - substance (SVHC)	Lead / 7439-92-1

### Climatic Data

upper limit temperature	105 °C
lower limit temperature	-40 °C

### general

Tolerance	ISO 2768 -mH
Solderability	Acc. to JEDEC JESD22-B102E 245°C/5s

# U | Contact

Data sheet  
**PT045xxHBBN Typ 030**

Page 3/5

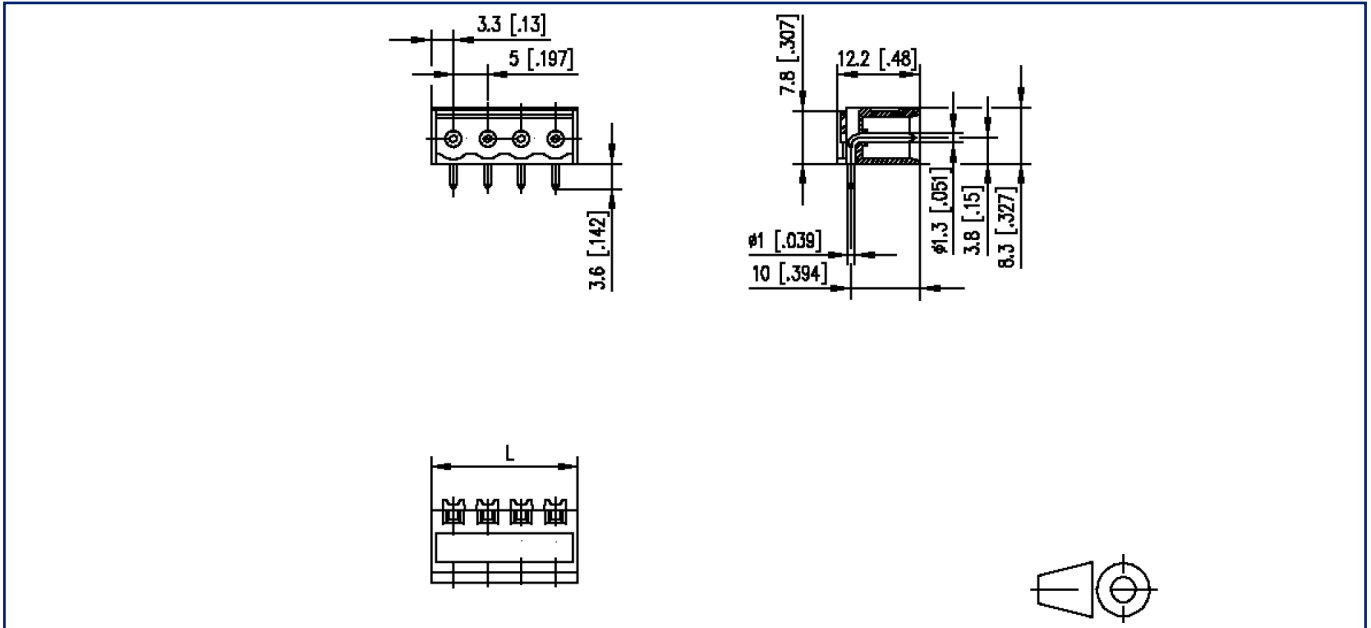
**P/N**  
**310301xx**  
**xx=number of poles**  
2021/09/15  
Version: U

## Counterpart of

P/N	Designation
310091	RP015xxWBWC Typ 009
310101	RP015xxWBNC Typ 010
310131	RP035xxIBLN Typ 013
310261	FT085xxVBFC Type 026
310491	RP015xxWBLC Typ 049
313481	RP085xxVBLC Typ 348
SP995XXVBNC	SP995xxVBNC

**Illustrations**

Dimensional drawing



$L = (\text{pole size} - 1) \times \text{centerline} + 6.6 \text{ mm} [0.26]$

**Illustrations**

## Drill pattern

