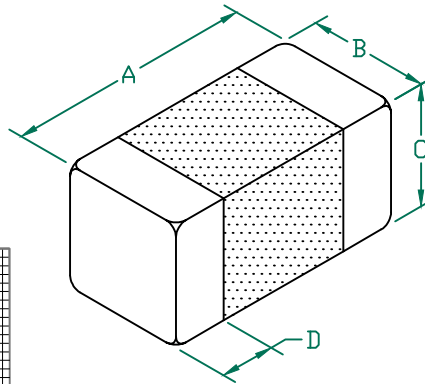


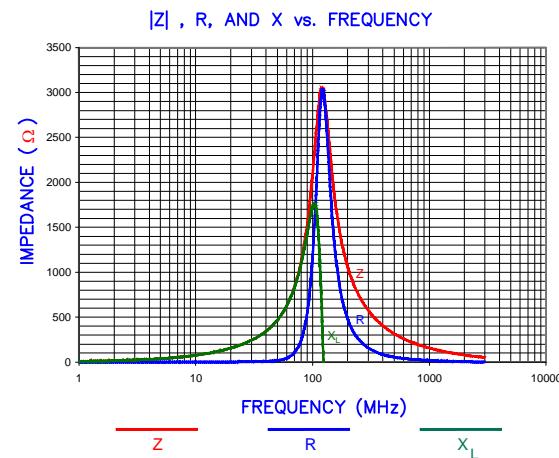
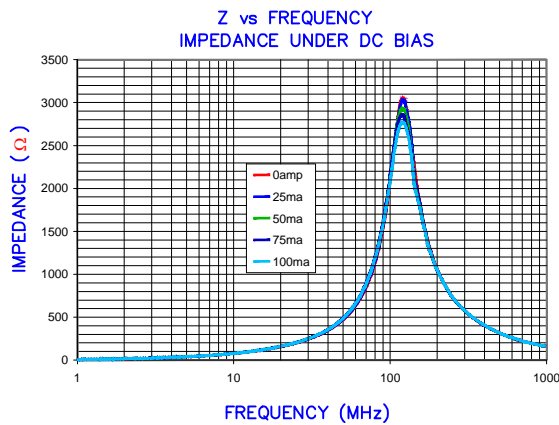
HZ0603A222R-10

PHYSICAL DIMENSIONS:

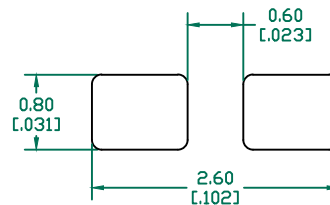
A	1.60 [.063]	+ 0.15	[.006]
B	0.80 [.031]	+ 0.15	[.006]
C	0.80 [.031]	+ 0.15	[.006]
D	0.36 [.014]	+ 0.15	[.006]



ELECTRICAL CHARACTERISTICS:			
Z @ 100MHz (Ω)	DCR (Ω)	Rated Current	
Nominal	2200		
Minimum	1650		
Maximum	2750	1.5	100 mA

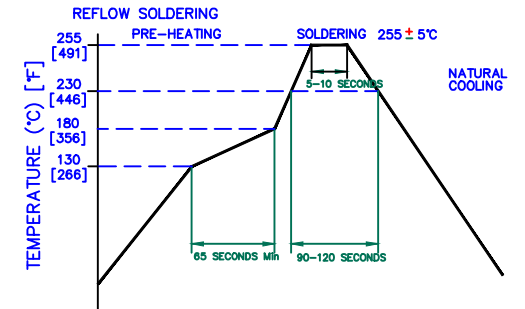


LAND PATTERNS FOR REFLOW SOLDERING



(For wave soldering, add 0.762
[.030] to this dimension)

RECOMMENDED SOLDERING CONDITIONS



RoHS

AGILENT E4991A RF Impedance/Material Analyzer
HP 16194A Test Fixture. TEST REF. 322B

DIMENSIONS ARE IN mm [INCHES]				This print is the property of Laird Tech. and is loaned in confidence subject to return upon request and with the understanding that no copies shall be made without the written consent of Laird Tech. All rights to design or invention are reserved.				
				PROJECT/PART NUMBER		REV	PART TYPE	DRAWN BY:
C	ADD OPERATING TEMPERATURE UPDATE LAIRD LOGO AND REFLOW CURVE	08/05/13	QU	HZ0603A222R-10		C	CO-FIRE	TMB
B	UPDATE COMPANY LOGO ADD ROHS	02/22/08	JRK	DATE:	04/03/04	SCALE:	SHEET:	
A	ORIGINAL DRAFT	04/03/04	TMB	CAD #		TOOL #	1 of 1	
REV	DESCRIPTION	DATE	INT	HZ0603A222R-10-C				