

# HC-1/2M-UT-F-6-PE - Contact insert module



1424438

<https://www.phoenixcontact.com/us/products/1424438>

Please be informed that the data shown in this PDF document is generated from our online catalog. Please find the complete data in the user documentation. Our general terms of use for downloads are valid.



Contact insert module, Socket, Screw connection, 0.5 mm<sup>2</sup> ... 6 mm<sup>2</sup>, application: PE transmission, for housing size HC-EVO-M1

## Commercial data

Item number	1424438
Packing unit	1 pc
Minimum order quantity	1 pc
Sales key	BF62
Product key	BF7ACE
Catalog page	Page 595 (C-2-2019)
GTIN	4055626372570
Weight per piece (including packing)	20.15 g
Weight per piece (excluding packing)	18.85 g
Customs tariff number	85366990
Country of origin	CN

# HC-1/2M-UT-F-6-PE - Contact insert module



1424438

<https://www.phoenixcontact.com/us/products/1424438>

## Technical data

### Notes

General	For HEAVYCON housing type HC-EVO-M1
General	Connectors may be operated only when there is no load/voltage.

### Product properties

Product type	Modular contact insert
Series	HC-EVO-M1
Application	PE transmission
Number of positions	1
Contact material type	turned

### Connection data

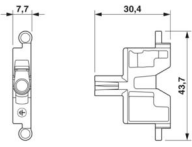
#### Connection technology

Connection technology	Screw connection
-----------------------	------------------

#### Conductor connection

Conductor cross section	0.5 mm <sup>2</sup> ... 6 mm <sup>2</sup>
Connection cross section AWG	20 ... 10
Tightening torque	0.8 Nm ... 1.2 Nm (PE connection) 0.5 Nm ... 0.8 Nm (Mounting screws for mounting in the HEAVYCON housing)

### Dimensions

Dimensional drawing	
Width	30.6 mm
Height	43.7 mm
Length	7.7 mm
Drill hole distance, horizontal	30.6 mm

#### Mechanical characteristics

Contact diameter	4 mm
------------------	------

### Mechanical properties

#### Mechanical data

Insertion/withdrawal cycles	≥ 500
-----------------------------	-------

### Material specifications

Flammability rating according to UL 94	V0
--	----

# HC-1/2M-UT-F-6-PE - Contact insert module



1424438

<https://www.phoenixcontact.com/us/products/1424438>

Contact carrier material	Die-cast zinc alloy
--------------------------	---------------------

## Environmental and real-life conditions

### Ambient conditions

Ambient temperature (operation)	-40 °C ... 125 °C
---------------------------------	-------------------

# HC-1/2M-UT-F-6-PE - Contact insert module

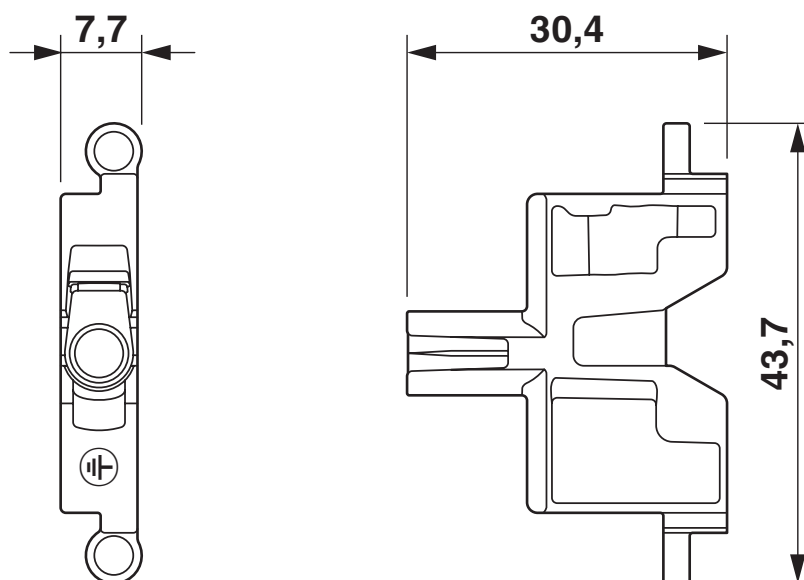


1424438

<https://www.phoenixcontact.com/us/products/1424438>

## Drawings

Dimensional drawing



# HC-1/2M-UT-F-6-PE - Contact insert module



1424438

<https://www.phoenixcontact.com/us/products/1424438>

## Approvals

To download certificates, visit the product detail page: <https://www.phoenixcontact.com/us/products/1424438>



**EAC**

Approval ID: RU C-DE.BL08.B.00511

# HC-1/2M-UT-F-6-PE - Contact insert module



1424438

<https://www.phoenixcontact.com/us/products/1424438>

## Classifications

### ECLASS

ECLASS-11.0	27440217
ECLASS-12.0	27440217
ECLASS-13.0	27440217

### ETIM

ETIM 8.0	EC000438
----------	----------

### UNSPSC

UNSPSC 21.0	39121400
-------------	----------

# HC-1/2M-UT-F-6-PE - Contact insert module



1424438

<https://www.phoenixcontact.com/us/products/1424438>

## Environmental product compliance

REACH SVHC	Lead 7439-92-1
China RoHS	Environmentally Friendly Use Period = 50 years
	For information on hazardous substances, refer to the manufacturer's declaration available under "Downloads"

# HC-1/2M-UT-F-6-PE - Contact insert module



1424438

<https://www.phoenixcontact.com/us/products/1424438>

## Accessories

### HC-CBU-MOD - Coding element

1636130

<https://www.phoenixcontact.com/us/products/1636130>

Coding socket for coding up to 16 connectors, for HC Modular



---

### HC-CST-MOD - Coding element

1636127

<https://www.phoenixcontact.com/us/products/1636127>

Coding peg for coding up to 16 connectors, for HC Modular





# HC-1/2M-UT-F-6-PE - Contact insert module



1424438

<https://www.phoenixcontact.com/us/products/1424438>

## HC-EVO-M1-BWS-PLRBK - Housing

1424437

<https://www.phoenixcontact.com/us/products/1424437>



Panel mounting base M1, with single locking latch, material: PA, height: 24 mm, cable gland: none, protective cover: no, Standard, for modular contact inserts

---

## HC-M-B06-MFH-B - Module carrier frame

1182085

<https://www.phoenixcontact.com/us/products/1182085>



Module carrier frame, size: B6, type : for the panel mounting side (a, b, c, ...), 4 mm<sup>2</sup> ... 6 mm<sup>2</sup>, application: Module carrier frame

# HC-1/2M-UT-F-6-PE - Contact insert module



1424438

<https://www.phoenixcontact.com/us/products/1424438>

## HC-M-B10-MFH-B - Module carrier frame

1182088

<https://www.phoenixcontact.com/us/products/1182088>



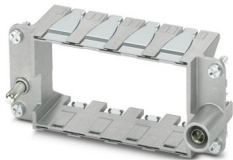
Module carrier frame, size: B10, type : for the panel mounting side (a, b, c, ...), 4 mm<sup>2</sup> ... 6 mm<sup>2</sup>, application: Module carrier frame

---

## HC-M-B16-MFH-B - Module carrier frame

1182090

<https://www.phoenixcontact.com/us/products/1182090>



Module carrier frame, size: B16, type : for the panel mounting side (a, b, c, ...), 4 mm<sup>2</sup> ... 6 mm<sup>2</sup>, application: Module carrier frame

# HC-1/2M-UT-F-6-PE - Contact insert module

1424438

<https://www.phoenixcontact.com/us/products/1424438>

## HC-M-B24-MFH-B - Module carrier frame

1182094

<https://www.phoenixcontact.com/us/products/1182094>

Module carrier frame, size: B24, type : for the panel mounting side (a, b, c, ...), 4 mm<sup>2</sup> ... 6 mm<sup>2</sup>, application: Module carrier frame



---

## HC-M-B06-MFH-H - Module carrier frame

1182087

<https://www.phoenixcontact.com/us/products/1182087>

Module carrier frame, size: B6, type : for the sleeve side (A, B, C, ...), 4 mm<sup>2</sup> ... 6 mm<sup>2</sup>, application: Module carrier frame



# HC-1/2M-UT-F-6-PE - Contact insert module



1424438

<https://www.phoenixcontact.com/us/products/1424438>

## HC-M-B10-MFH-H - Module carrier frame

1182089

<https://www.phoenixcontact.com/us/products/1182089>

Module carrier frame, size: B10, type : for the sleeve side (A, B, C, ...), 4 mm<sup>2</sup> ...  
6 mm<sup>2</sup>, application: Module carrier frame



---

## HC-M-B16-MFH-H - Module carrier frame

1182093

<https://www.phoenixcontact.com/us/products/1182093>

Module carrier frame, size: B16, type : for the sleeve side (A, B, C, ...), 4 mm<sup>2</sup> ...  
6 mm<sup>2</sup>, application: Module carrier frame



## HC-1/2M-UT-F-6-PE - Contact insert module

1424438

<https://www.phoenixcontact.com/us/products/1424438>



## HC-M-B24-MFH-H - Module carrier frame

1182095

<https://www.phoenixcontact.com/us/products/1182095>

Module carrier frame, size: B24, type : for the sleeve side (A, B, C, ...), 4 mm<sup>2</sup> ... 6 mm<sup>2</sup>, application: Module carrier frame



---

## HC-1/2M-UT-M-6-PE - Contact insert module

1424439

<https://www.phoenixcontact.com/us/products/1424439>

Contact insert module, Pin, leading, Screw connection, 0.5 mm<sup>2</sup> ... 6 mm<sup>2</sup>, application: PE transmission, for housing size HC-EVO-M1



# HC-1/2M-UT-F-6-PE - Contact insert module



1424438

<https://www.phoenixcontact.com/us/products/1424438>

## SF-PH 1-80 - Screwdriver

1212559

<https://www.phoenixcontact.com/us/products/1212559>



Screwdriver, PH crosshead (lasered), uninsulated, size: PH 1 x 80, 2-component grip, with non-slip grip

---

## SF-SL 0,6X3,5-100 - Screwdriver

1212549

<https://www.phoenixcontact.com/us/products/1212549>



Screwdriver, bladed (lasered), size: 0.6 x 3.5 x 100 mm, 2-component grip, with non-slip grip

---

Phoenix Contact 2024 © - all rights reserved  
<https://www.phoenixcontact.com>

Phoenix Contact USA  
586 Fulling Mill Road  
Middletown, PA 17057, United States  
(+717) 944-1300  
[info@phoenixcon.com](mailto:info@phoenixcon.com)