

# SuperNine® USB 2.0 type A connectors

## 233-341 Couplers with size 22 crimp contacts

### MIL-DTL-38999 Series III Type



**Plug  
Front View**



**Jam Nut  
Receptacle  
Front View**

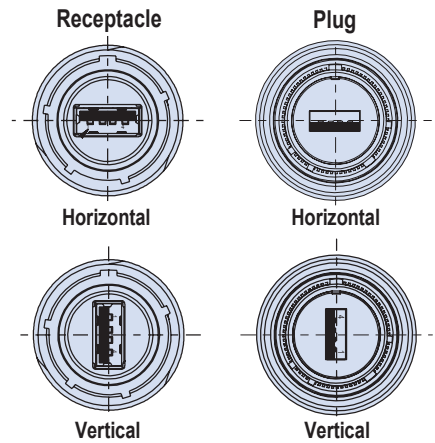


**Square Flange  
Receptacle  
Rear View**

		How to Order								
<b>Sample Part Number</b>		<b>233-341</b>	<b>NF</b>	<b>00</b>	<b>-15</b>	<b>2</b>	<b>A</b>	<b>N</b>	<b>H</b>	<b>T</b>
<b>Basic Number</b>		<b>233-341</b>								
<b>Finish<sup>1</sup></b>		See Material and Finishes table <sup>1</sup>								
<b>Connector Style<sup>1</sup></b>		See connector style table								
<b>Shell Size</b>		<b>15</b>								
<b>RJ45 Category</b>		<b>2</b> = USB 2.0								
<b>USB Interface Type</b>		<b>A</b> = Type A								
<b>Alternate Key Position<sup>1</sup></b>		<b>A, B, C, D, E, N</b> = Normal; per MIL-DTL-38999								
<b>USB Orientation</b>		<b>H</b> = Horizontal <b>V</b> = Vertical								
<b>Shrink Boot</b>		<b>T</b> = Shrink Boot (Omit for None)								

**233-341 Superseded  
by 233-345**

**USB Orientation Options  
(Partial Views Shown)**



*All external dimensions, features, etc. compliant with D38999/20, /24, &/26. Consult factory for additional information.*

Materials and Finishes <sup>1</sup>	
<b>NF</b>	Cadmium olive drab
<b>M</b>	Electroless nickel
<b>MT</b>	Nickel PTFE

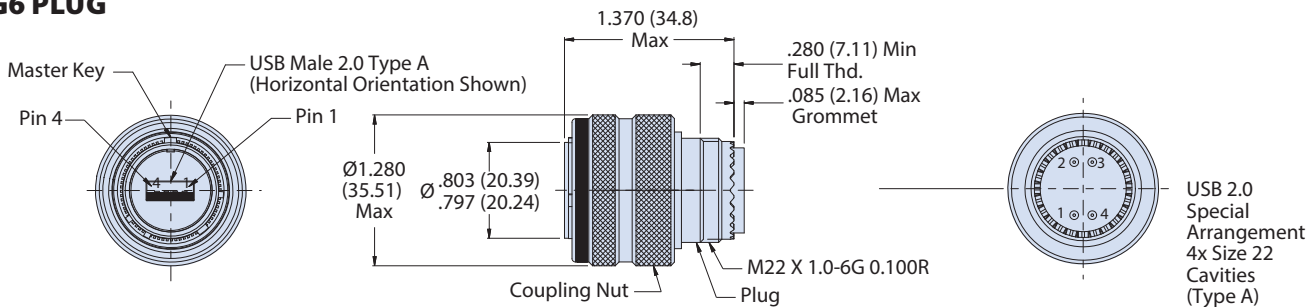
**NOTES**

1. See Section A for alternate key positions, panel cutout dimensions and complete material and finish options
2. Front panel mount only
3. All external dimensions, features, etc. Compliant with D38999/20, /24 & /26. Consult factory for additional information

Connector Style <sup>1</sup>	
<b>00</b>	Square flange receptacle with slotted holes
<b>07</b>	Jam nut receptacle
<b>D0</b>	Wall mount receptacle with slotted holes
<b>CM</b>	Wall mount receptacle with metric clinch nuts
<b>G6</b>	Plug

USB 2.0 Wiring				
Pin	Name	Cable Color (USB)	Description	Recommended Wire Sizes (AWG)
1	(V Bus)	Red	+5 V	22
2	(D-)	White	Data -	28
3	(D+)	Green	Data +	28
4	(GND)	Black	Ground	22

**G6 PLUG**



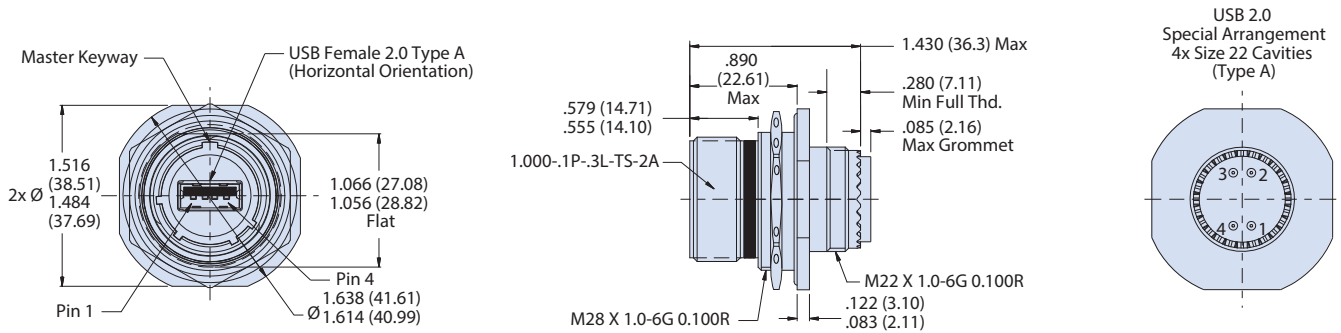
# SuperNine® USB 2.0 type A connectors

## 233-341 Couplers with size 22 crimp contacts

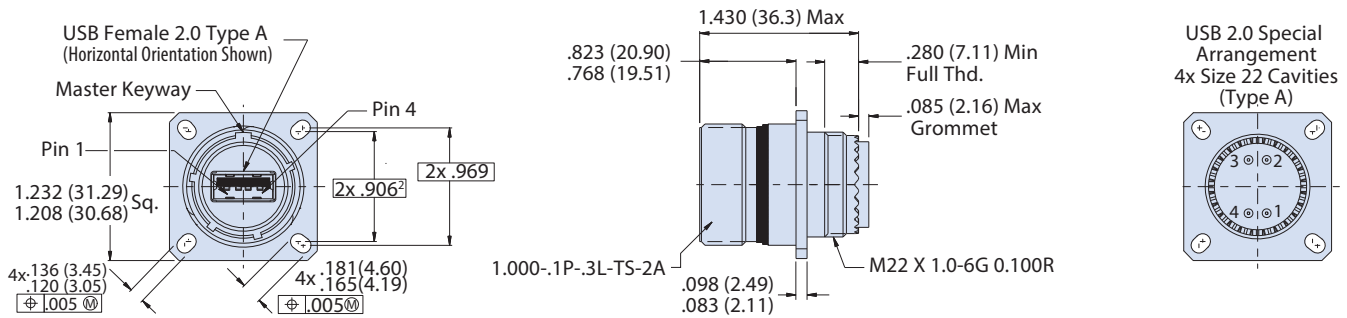
### MIL-DTL-38999 Series III Type



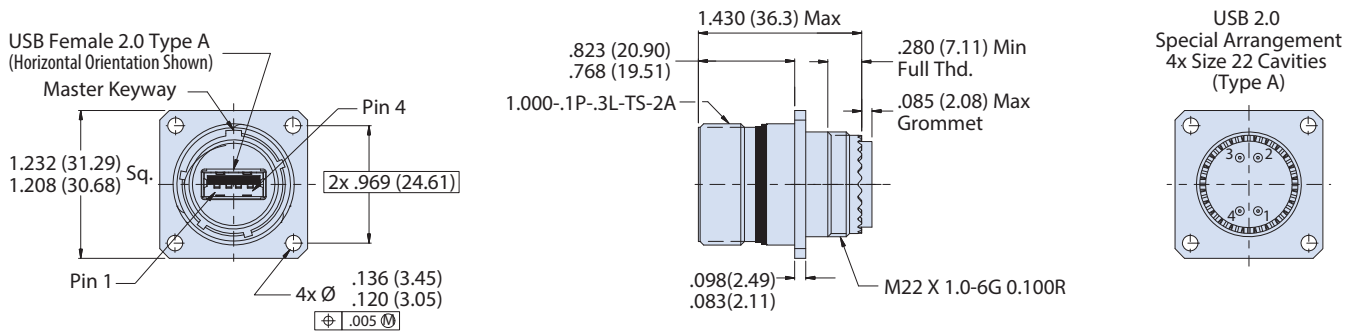
#### 07 - REAR PANEL MOUNT, JAM NUT RECEPTACLE WITH ACCESSORY THREADS



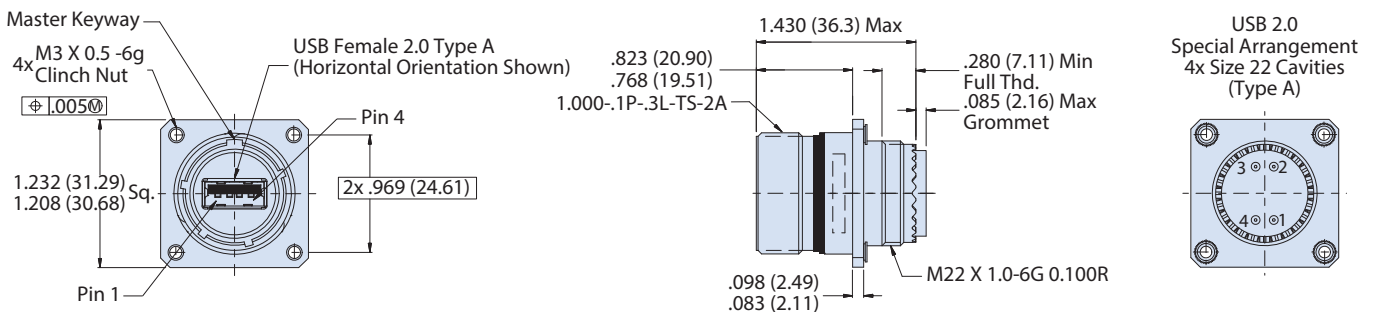
#### 00 WALL MOUNT RECEPTACLE WITH ACCESSORY THREADS



#### DO - WALL MOUNT RECEPTACLES WITH ACCESSORY THREADS



#### CM - WALL MOUNT RECEPTACLES WITH ACCESSORY THREADS



# Mouser Electronics

Authorized Distributor

Click to View Pricing, Inventory, Delivery & Lifecycle Information:

[Glenair:](#)

[233-341NF00-152ANH](#) [233-341NF07-152ANH](#) [233-341M00-152ANHT](#) [233-341NFG6-152ANHT](#) [233-341NFG6-152ANV](#) [233-341NFG6-152ANH](#) [233-341XM00-152ANH](#) [233-341NF00-152ANV](#)