

4

3

2

1

THIS DRAWING IS UNPUBLISHED.

RELEASED FOR PUBLICATION

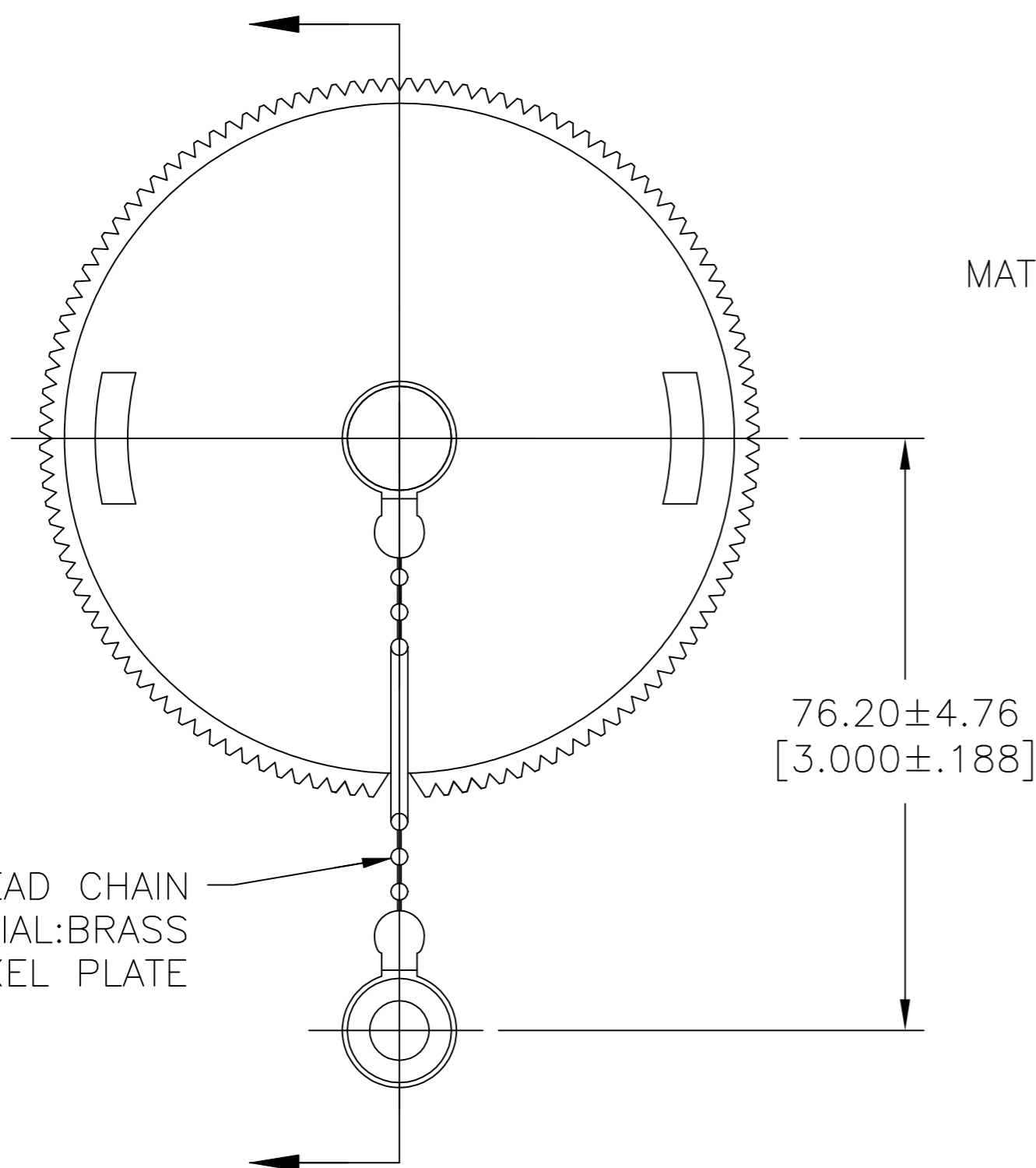
-, -

© COPYRIGHT - TE Connectivity Ltd.

ALL RIGHTS RESERVED.

REVISIONS

P	LTR	DESCRIPTION	DATE	DWN	APVD
C		REDRAWN & REV PER EC 0020-680-93	6-10-93	-	AF
D		REVISED PER ECO-19-001991	08FEB2019	RS	MZ

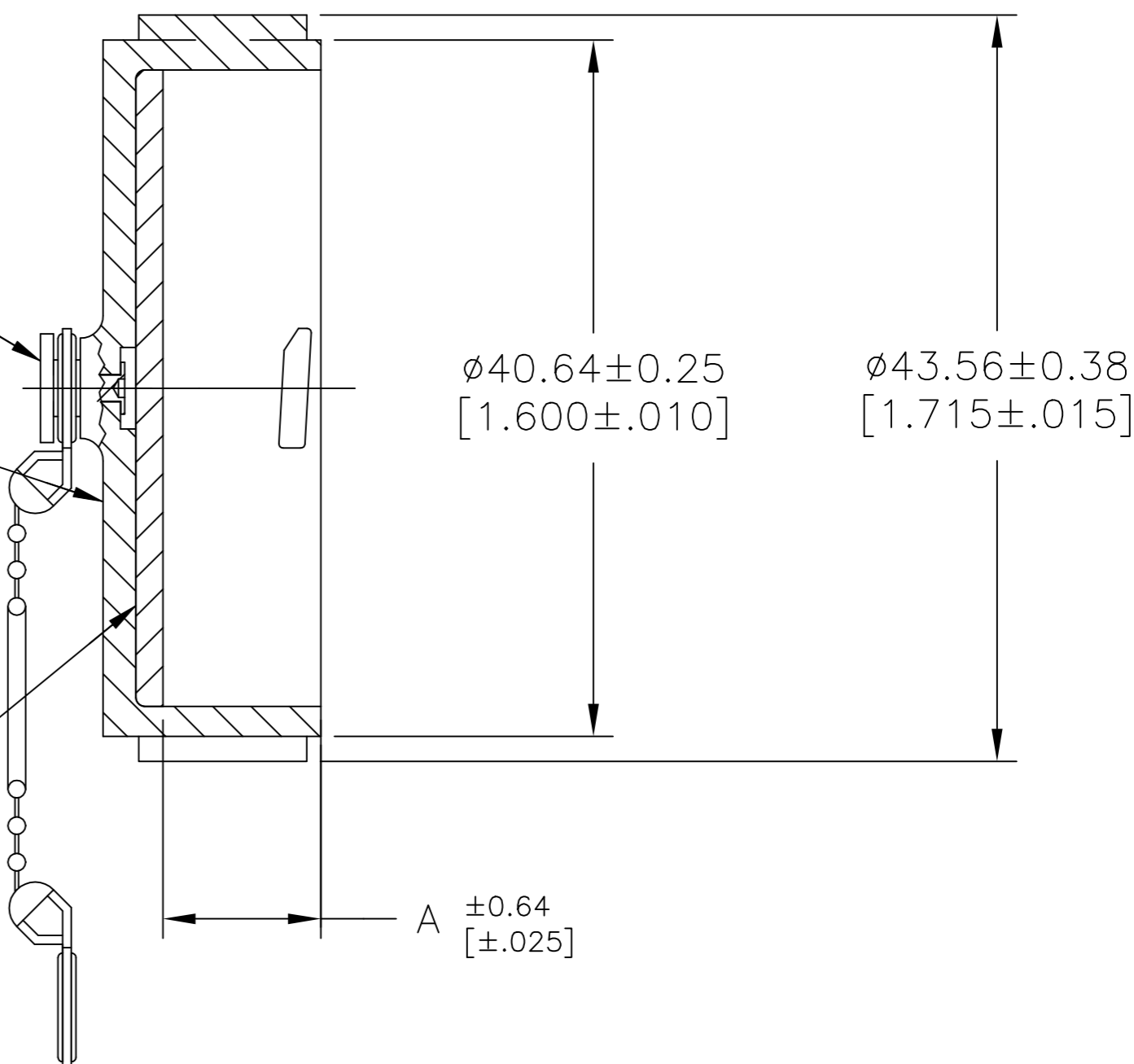


BEAD CHAIN
MATERIAL:BRASS
FINISH:NICKEL PLATE

RIVET
MATERIAL:CARBON STEEL
FINISH:ZINC PLATE
W/CLEAR CHROMATE

SEALING CAP
MATERIAL:THERMOPLASTIC
COLOR:BLACK

SEALING GASKET
MATERIAL:ELASTOMER
COLOR:BLACK



6.05 [.238]	208680-2
9.22 [.363]	208680-1
A	PART NUMBER

THIS DRAWING IS A CONTROLLED DOCUMENT.		DWN D.BROCKWAY 6-10-93	TE Connectivity	
		CHK R.STONE 7-1-93		
DIMENSIONS: mm [INCHES]	TOLERANCES UNLESS OTHERWISE SPECIFIED:	APVD AL FRANTUM 7-1-93	NAME SEALING CAP ASSY, SIZE 23, WITH BEAD CHAIN, CPC	
	0 PLC ± -	PRODUCT SPEC	SIZE	
	1 PLC ± -		CAGE CODE	
	2 PLC ± 0.13 [.005]	APPLICATION SPEC	DRAWING NO	
	3 PLC ± -		RESTRICTED TO	
	4 PLC ± -		A3 00779 C=208680	
	ANGLES ± -	WEIGHT	-	
MATERIAL SEE CALLOUTS	FINISH SEE CALLOUTS	CUSTOMER DRAWING		SCALE 2:1
		SHEET 1 OF 1		REV D

Mouser Electronics

Authorized Distributor

Click to View Pricing, Inventory, Delivery & Lifecycle Information:

[TE Connectivity:](#)

[208680-2](#)