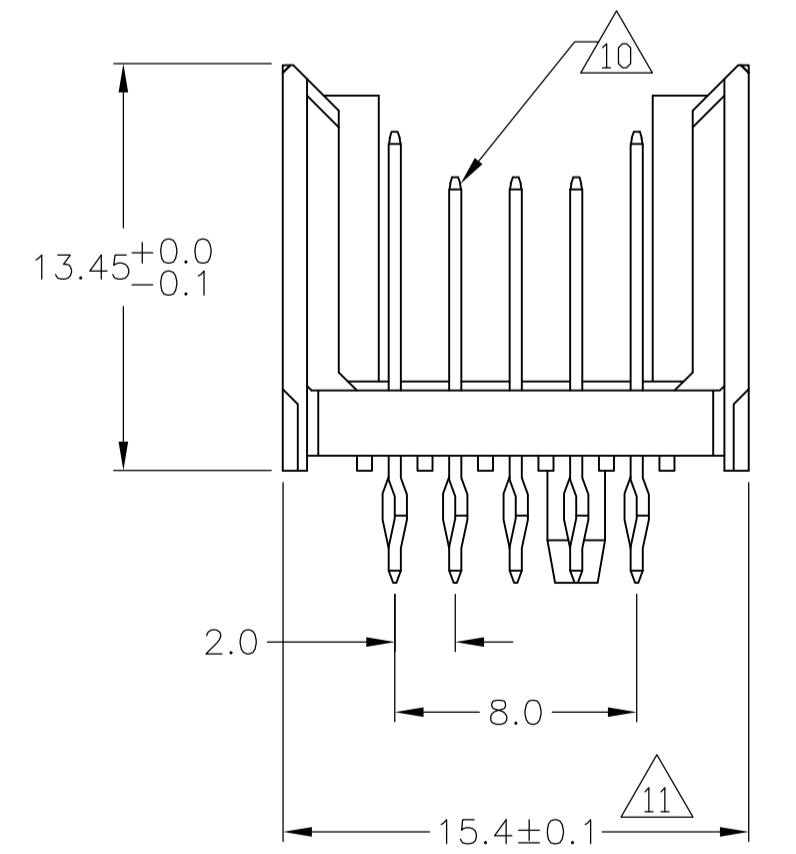
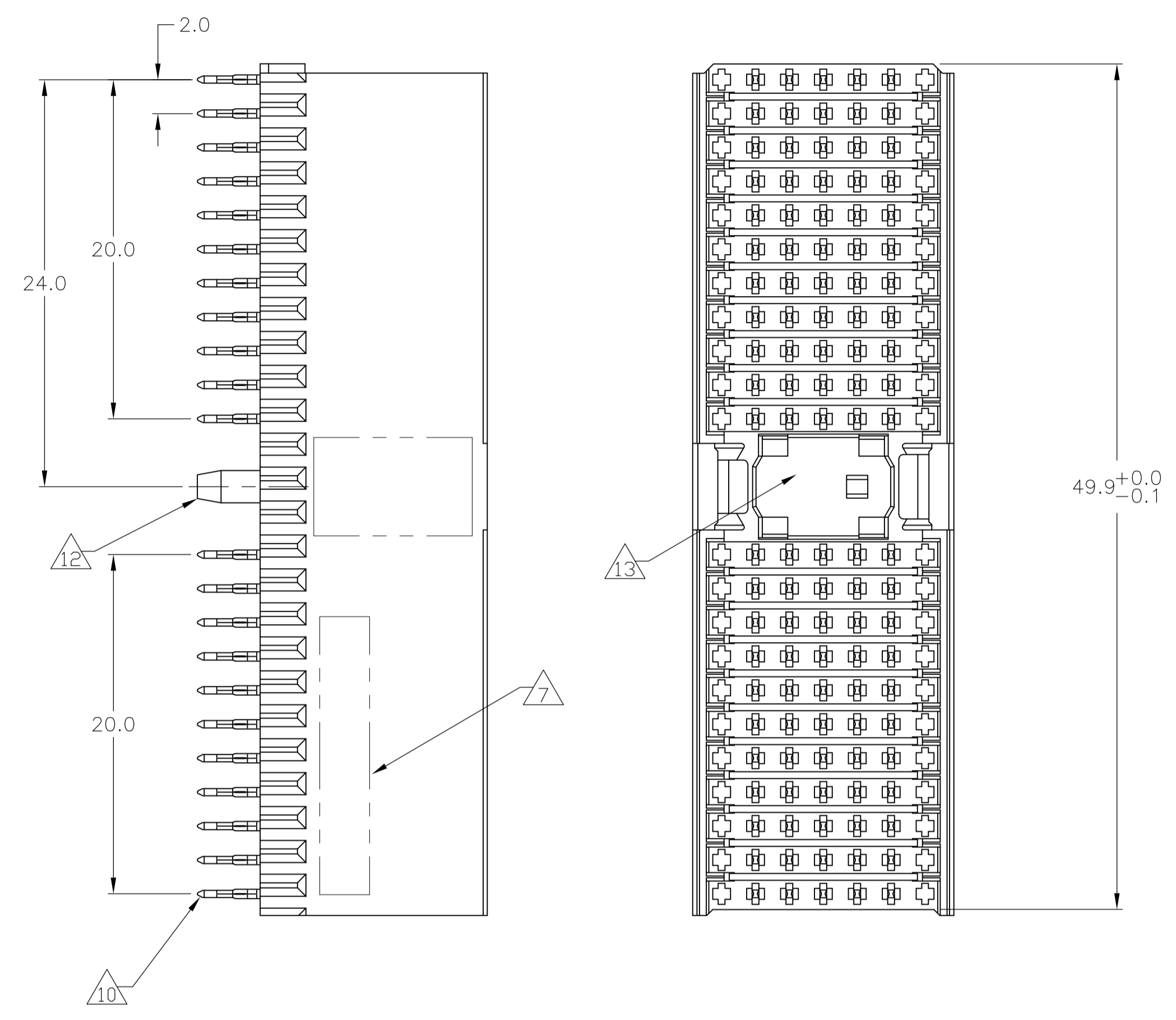
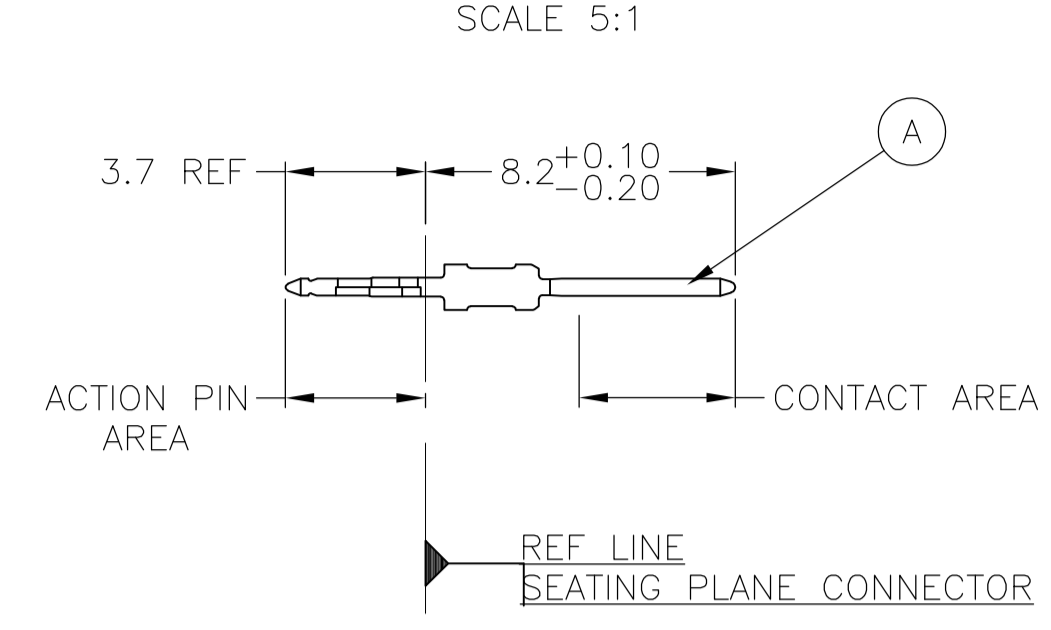


LOC		DIST		REVISIONS			
P	LTR	DESCRIPTION	DATE	DMN	APVD		
N2		REVISED PER ECO-11-005033	28MAR11	RK	HMR		
P		ECR-12-009853	6NOV12	SY	AC		

CONNECTOR ASSEMBLY EXAMPLARY LOADED



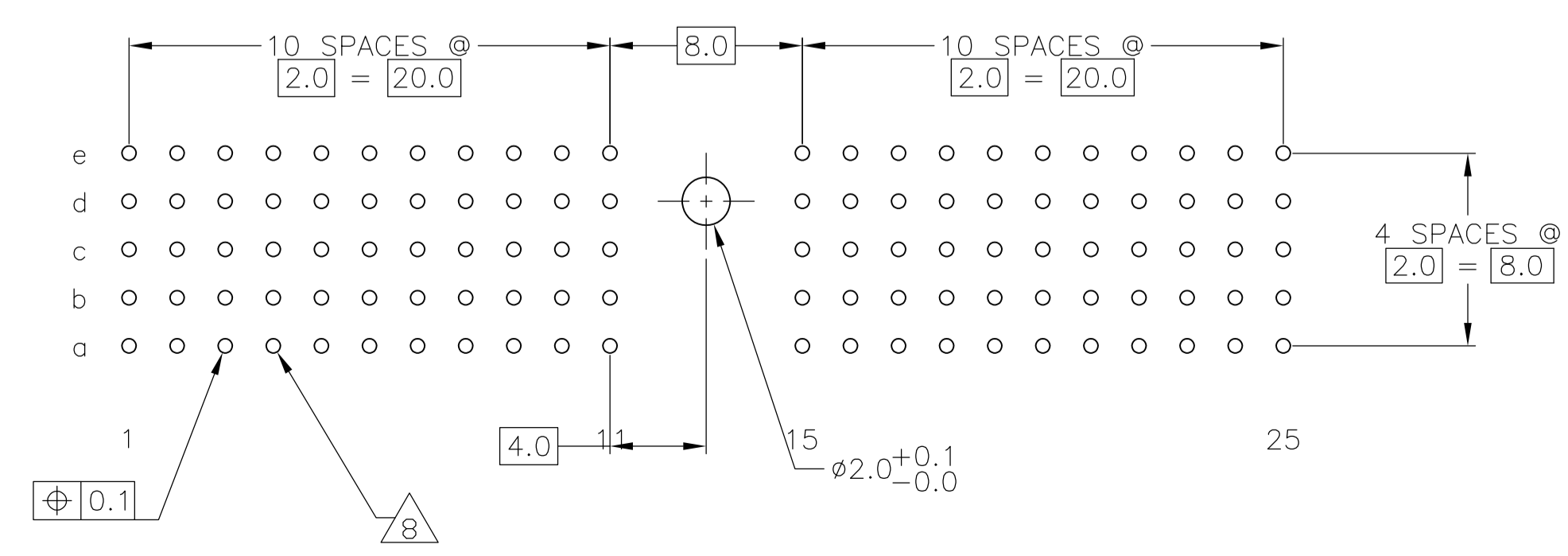
CONTACT DIMENSIONS



CONTACT LAYOUT

	z	a	b	c	d	e	f
1		A	A	A	A	A	
2		A	A	A	A	A	
3		A	A	A	A	A	
4		A	A	A	A	A	
5		A	A	A	A	A	
6		A	A	A	A	A	
7		A	A	A	A	A	
8		A	A	A	A	A	
9		A	A	A	A	A	
10		A	A	A	A	A	
11		A	A	A	A	A	
MULTI PURPOSE CENTER							
15		A	A	A	A	A	
16		A	A	A	A	A	
17		A	A	A	A	A	
18		A	A	A	A	A	
19		A	A	A	A	A	
20		A	A	A	A	A	
21		A	A	A	A	A	
22		A	A	A	A	A	
23		A	A	A	A	A	
24		A	A	A	A	A	
25		A	A	A	A	A	

RECOMMENDED PCB-HOLE LAYOUT COMPONENT SIDE SHOWN



PLATED THRU HOLES PARAMETERS

REFERENCE APPLICATION SPECIFICATION

2	3	15	3-100143-0
2	6	14	1-100143-9
2	5	14	100143-9
2	4		100143-4
2	3		100143-1
FINISH			PART NUMBER


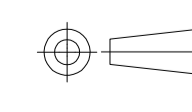
THIS DRAWING IS A CONTROLLED DOCUMENT.

DIMENSIONS: mm	TOLERANCES UNLESS OTHERWISE SPECIFIED:	DIN F. BEUN 11NOV98	TE Connectivity
0. PLC ± -	1. PLC ± 0.1	CHK: L. REF 11NOV98	NAME: MALE ASSEMBLY, Z-PACK 2mm HM, TYPE A
2. PLC ± -	3. PLC ± -	APVD:	PRODUCT SPEC: 108-19082
4. PLC ± -	ANGLES ± -		APPLICATION SPEC: 114-19029
MATERIAL: 1	FINISH: SEE TABLE	WEIGHT: -	SIZE: A1
			CAGE CODE: 00779
			DRAWING NO: 100143
			RESTRICTED TO: -
			CUSTOMER DRAWING

SCALE: 4:1 SHEET 1 OF 2 REV P

LOC		DIST		REVISIONS				
P	LTR	DESCRIPTION	DATE	DN	APVD			
-	-	SEE SHEET 1	-	-	-			

- 1 MATERIAL:
CONTACT: PHOSPHOR BRONZE.
HOUSING: GLASS-FILLED POLYESTER.
- 2 GENERAL PLATING SPECIFICATION: UNDERPLATING
(ENTIRE CONTACT): 1.27µm MIN NICKEL AND ACTION
PIN: 0.5µm MIN TIN\LEAD.
FOR PLATING OF MATING SURFACES SEE APPLICABLE
SPECIFICATION REFERENCE FOR EACH DASH NUMBER.
- 3 CONFORMS TO ALL TESTING ACCORDING TO IEC 61076-4-101
PERFORMANCE LEVEL 2.
- 4 CONFORMS TO ALL TESTING ACCORDING TO IEC 61076-4-101
PERFORMANCE LEVEL 1.
- 5 CONNECTOR TESTED AND QUALIFIED AGAINST TELCORDIA GR-1217-CORE QUALITY LEVEL 3,
CENTRAL OFFICE APPLICATIONS.
- 6 CONNECTOR TESTED AND QUALIFIED AGAINST TELCORDIA GR-1217-CORE QUALITY LEVEL 3,
UNCONTROLLED ENVIROMENT APPLICATIONS.
- 7 CONNECTOR MARKED WITH PART NUMBER AND DATE CODE.
ADDITIONAL CHARACTERS OR MARKINGS, AS WELL AS THE LOCATION OF THE MARKINGS,
MAY BE ADDED FOR TRACEABILITY BASED UPON MANUFACTURERS DISCRETION.
- 8 PLATED-THROUGH HOLES AT 2x2mm SQUARE GRID
PATTERN DEFINED BY CONTACT LAYOUT.
- 9 FOR ACTUAL PIN LOADING SEE "CONTACT LAYOUT".
- 10 FOR ACTUAL PIN DIMENSIONS SEE "CONTACT DIMENSIONS".
- 11 TO BE MEASURED AT BOTTOM OF SHROUD.
- 12 POLARIZATION FEATURE.
- 13 AREA RESERVED FOR KEYING PART (BASIC P/N 100525).
- 14 CONNECTOR LUBRICATED WITH BELCORE APPROVED LUBRICANT,
TECHNICAL REFERENCE: TR-NWT-001217 ISSUE 1, SEP 1992.
- 15 0.76µm MIN GOLD PLATING AT MATING SURFACES.

THIS DRAWING IS A CONTROLLED DOCUMENT.		DIN F. BEUN 11NOV98		 TE Connectivity	
		CHK L. REE 11NOV98			
DIMENSIONS: mm		TOLERANCES UNLESS OTHERWISE SPECIFIED:		NAME	
 0. PLC ± - 1. PLC ± 0.1 2. PLC ± - 3. PLC ± - 4. PLC ± - ANGLES ± ± -		APVD		PRODUCT SPEC	
		APVD		108-19082	
		APVD		APPLICATION SPEC	
		APVD		114-19029	
MATERIAL SEE SHEET 1	FINISH SEE SHEET 1	WEIGHT -	SIZE A1	CAGE CODE 00779	DRAWING NO 100143
CUSTOMER DRAWING			SCALE 4:1	SHEET 2	OF 2
			REV P		

Mouser Electronics

Authorized Distributor

Click to View Pricing, Inventory, Delivery & Lifecycle Information:

[TE Connectivity:](#)

[100143-1](#)