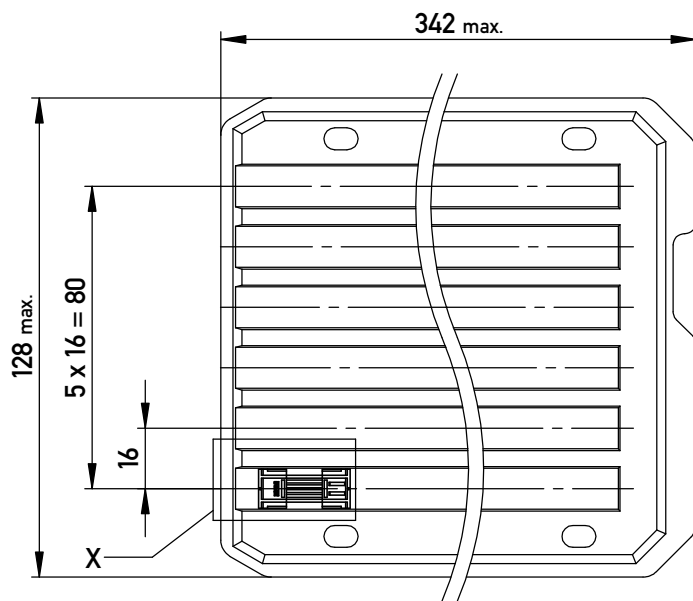


Verpackt in Tray -tray packaging
 Verpackungseinheit 78 Stück -packaging unit 78



Einzelheit X (M 2:1)
 detail X (scale 2:1)



Adapterstück für board-to-board Abstand von 26mm (beidseitig verbaut mit Federleiste: 154805, Low Profile)
 Adapter for board-to-board height 26mm (in combination with two female connectors: 154805, low profile)

Information: All rights reserved. Only for Information. To ensure that this is the latest version of this drawing, please contact one of the ERNI companies before using.	Tolerances All Dimensions in mm	Scale 3:1	
	Subject to modification without prior notice. Drawing will not be updated.	Designation 1,27 DRC BTB 26mm 12-polig 1,27 DRC BTB 26mm 12-polig	
b Index	05.08.2016 Date	www.ERNI.com 364097	
		Class DRCBTB	I A3

Copyright by ERNI Production GmbH & Co. KG
 Proprietary notice pursuant to ISO 16016 to be observed.

Mouser Electronics

Authorized Distributor

Click to View Pricing, Inventory, Delivery & Lifecycle Information:

[TE Connectivity:](#)

[364097](#) [364097-E](#)