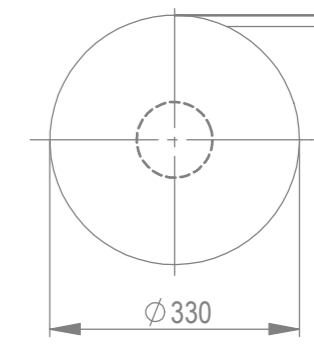
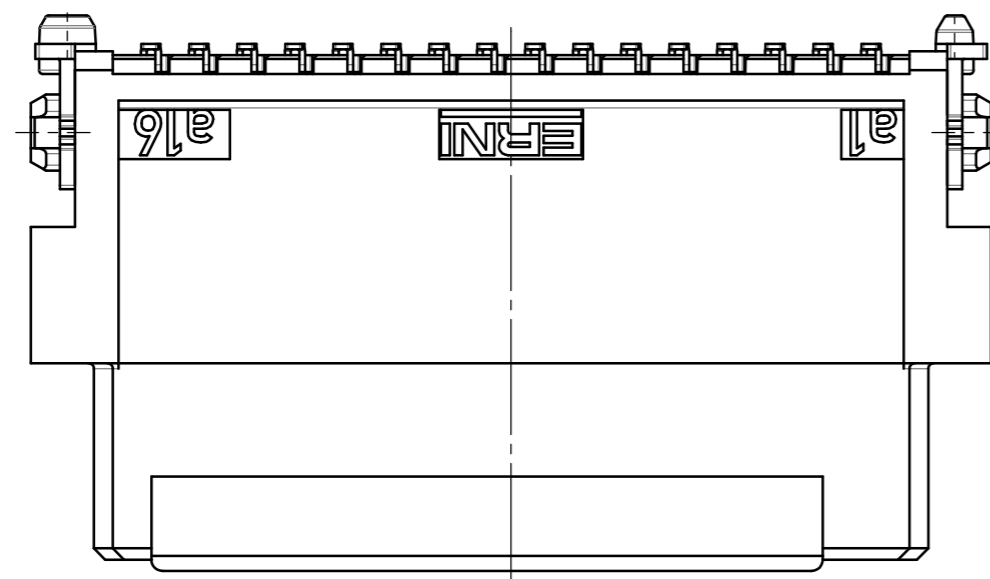
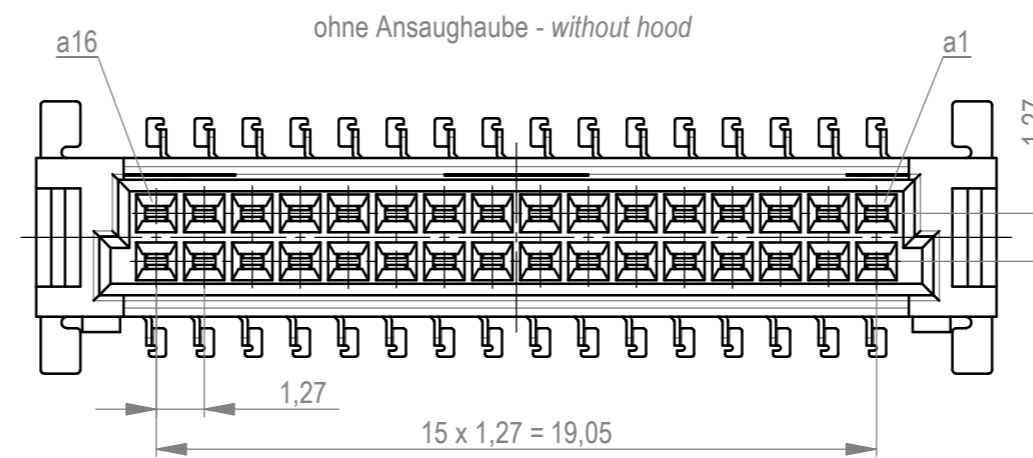
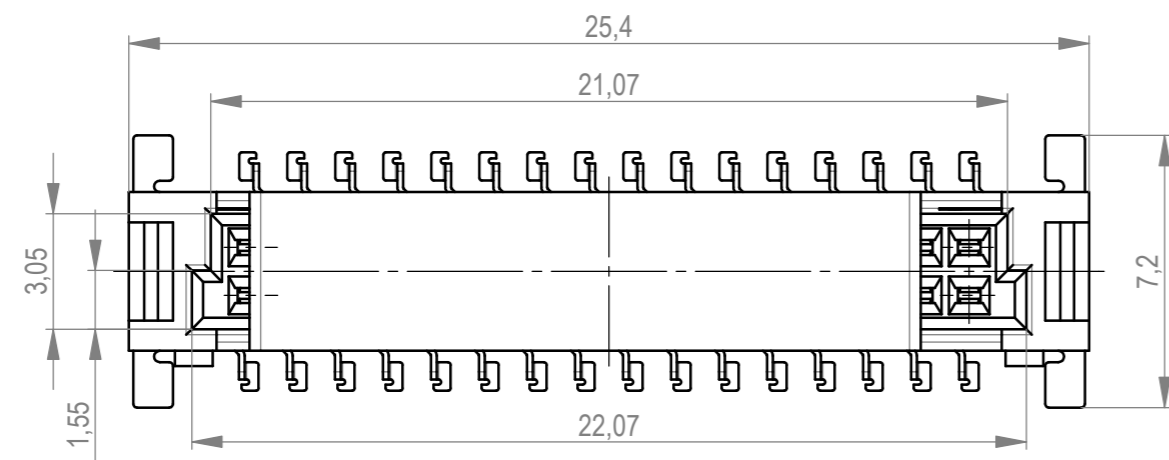
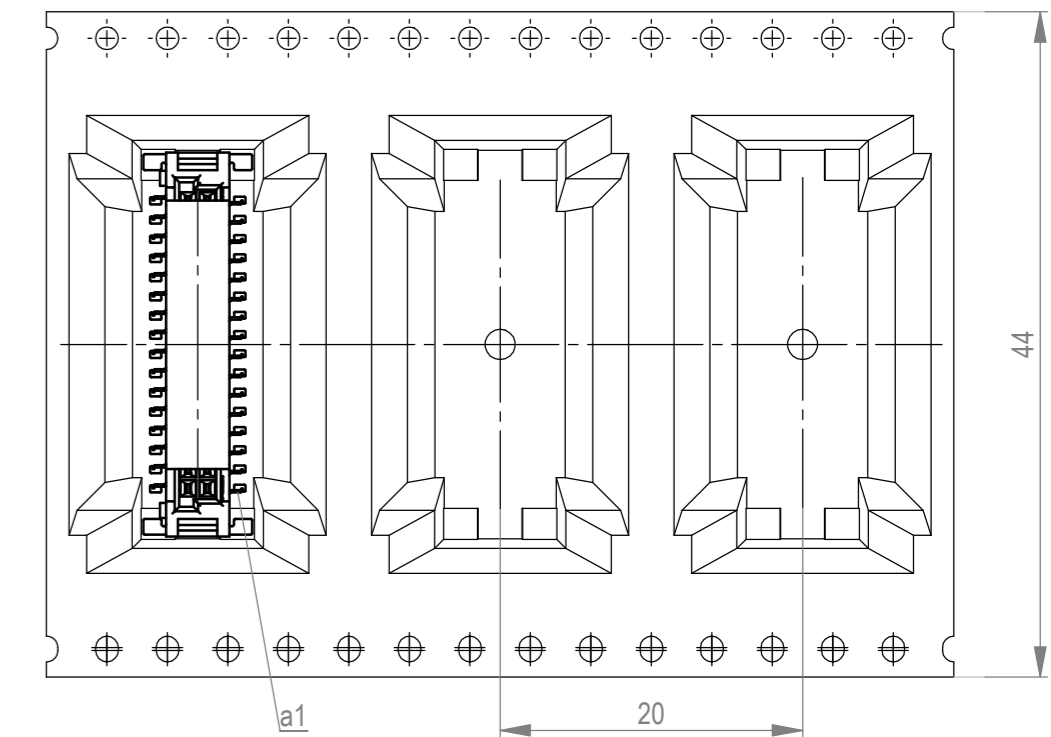


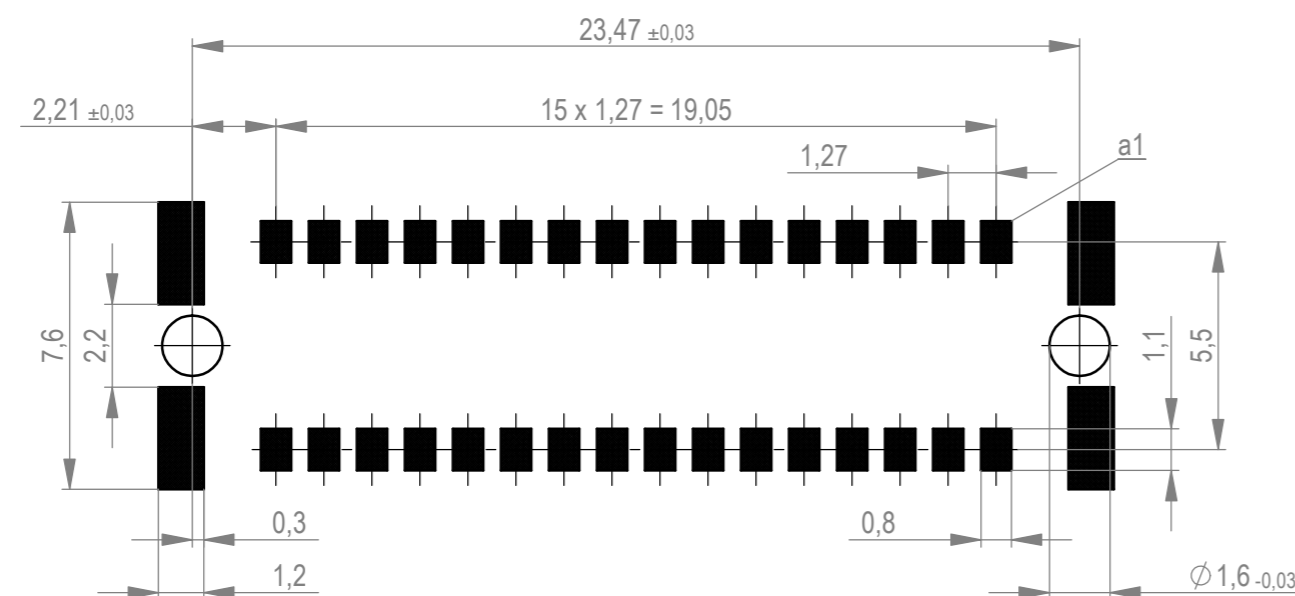
Verpackt im Gurt in Anlehnung an DIN IEC 60286-3
 tape on reel packaging according to DIN IEC 60286-3
 Verpackungseinheit: 170 Stück
 packaging unit: 170 pcs



Abspulrichtung - reel off direction →



Leiterplatten-Layout Vorschlag für SMT
 PCB-Layout Proposal for SMT



Anforderungsstufe 1
 performance level 1

Kontaktbereich vergoldet
 mating area gold plating

Anschlussbereich verzinkt 4-6 µm
 terminal area 4-6 µm tin plating

Koplanarität der Anschlüsse ≤ 0,1 mm
 coplanarity area of termination ≤ 0,1 mm

BA 7-23 - hohe Bauhöhe
 type 7-23 - high profile

Die deutsche Version dieser Zeichnung dient nur zur Erleichterung der
 Handhabung. Bei Abweichungen vom englischen Original gilt das
 englische Original. No dimensions or tolerances shall be taken from
 any other version of this drawing than the original.
 In case of any deviation the English version shall prevail.
 The German version of this drawing has been created for convenience only.
 In case of any deviation the English version shall prevail.
 All rights reserved for the event of the grant of a patent, utility model or design.
 All rights reserved.

Dimension no.	Tolerances ISO 8015	Scale 5:1 Material	ERNI International AG Zürichstrasse 72 8306 Brüttisellen - Zürich Switzerland	Federl. SMC-B 32-SMD-BA7-23 Female SMC-B 32-SMT-type7-23 354072	I A2
Customer drawing: All rights reserved. Only for information. To ensure that this is the latest version of this drawing, please contact one of the ERNI companies before using.	Subject to modification without prior notice. Drawing will not be updated.	Class SMCB			
d Index	06.05.2021 Date				

Mouser Electronics

Authorized Distributor

Click to View Pricing, Inventory, Delivery & Lifecycle Information:

[TE Connectivity:](#)

[354072](#) [354072-E](#)