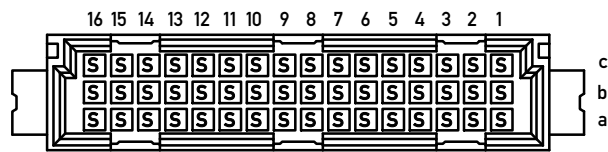
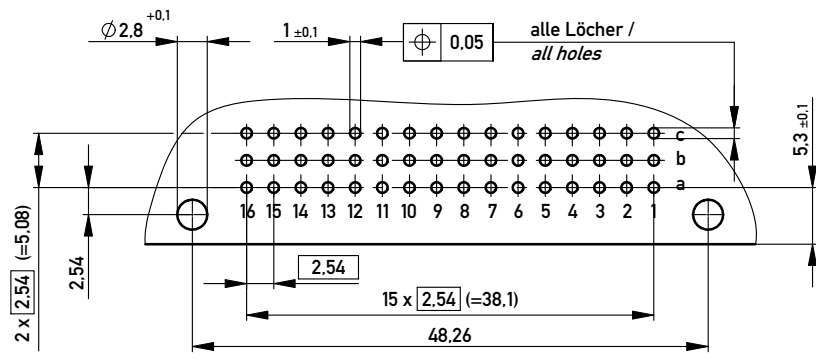


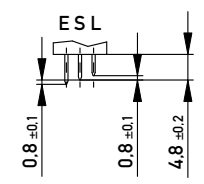
Bestückungsplan / contact layout



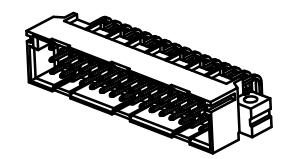
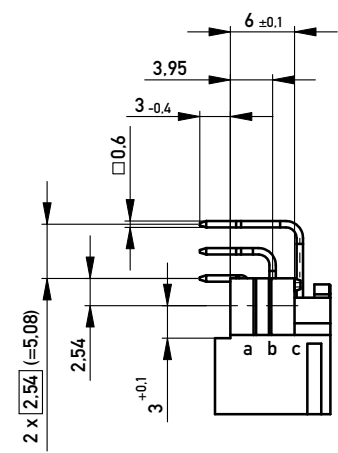
Leiterplatten- Lochbild / PCB drillhole pattern



Stecklänge / mating length



E = early mate, late break / voreilend
 S = standard
 L = late mate, early break / nacheilend



Lötanschluss 0,6x0,6mm / solder terminal 0,6x0,6mm
 Isolierwerkstoff / housing material : PBT GF 30
 Bauart 4 / type 4
 Anforderungsstufe 2 = 400 Steckzyklen / performance class 2 = 400 mating cycles
 Fehlende Maße und Angaben nach IEC 60 603-2 / DIN EN 60 603-2
 Missing information and dimensions per IEC 60 603-2 / DIN EN 60 603-2

Berdeckung siehe Zeichnung 294905
 marking see drawing 294905

| | | | | | |
|--------------------------------------------------------------------------------------------------------------------------------------------------------------|------------|----------------------|--|---------------------------------------------------------|-----|
| Information: | | Tolerances | | Scale | 2:1 |
| All rights reserved. Only for Information. To ensure that this is the latest version of this drawing, please contact one of the ERNI companies before using. | | All Dimensions in mm | | Designation | |
| Subject to modification without prior notice. Drawing will not be updated. | | | | Messerleiste C/2 48 Löt Male Connector C/2 48 solder | |
| www.ERNI.com | | 254324 | | I A3 | |
| Index | 06.07.2009 | Date | | Class STVC/2 | |

Copyright by ERNI GmbH. Proprietary notice pursuant to ISO 16016 to be observed.

Mouser Electronics

Authorized Distributor

Click to View Pricing, Inventory, Delivery & Lifecycle Information:

[TE Connectivity:](#)

[254324](#) [254324-E](#)