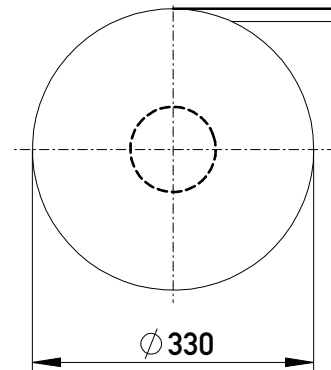
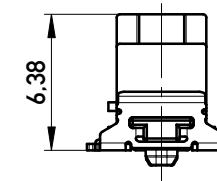


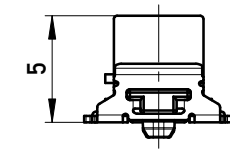
Verpackt im Gurt in Anlehnung an DIN IEC 60286-3
 Tape on Reel Packaging according to DIN IEC 60286-3
 Verpackungseinheit: 600 Stück
 Packaging unit: 600 pcs



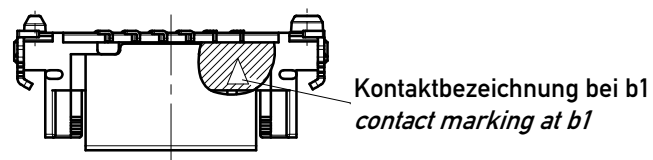
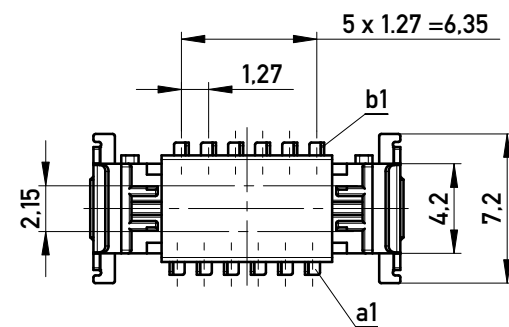
Drahtführung vorverrastet
 wire guide loose mounted



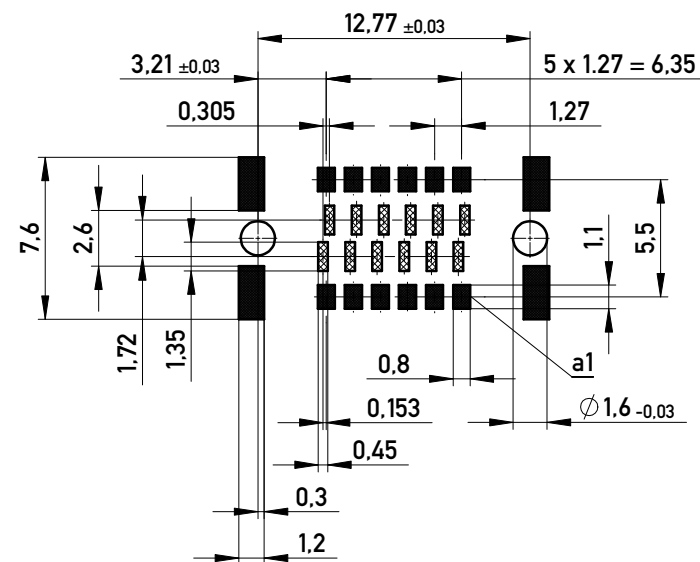
Drahtführung verpresst
 wire guide pressed on



Drahtführungen nicht im Lieferumfang enthalten!
 wire guides are not included in delivery!
 Ident-Nr. für Drahtführungen (für 600 Teile): 244631
 part-no. for wire guides (for 600 parts): 244631

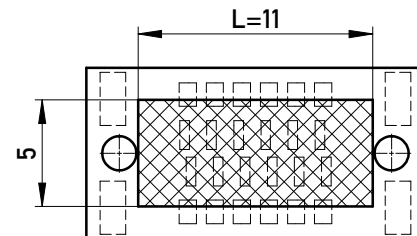


Leiterplatten-Lay-out Vorschlag für SMT
 PCB-Lay-out Proposal for SMT



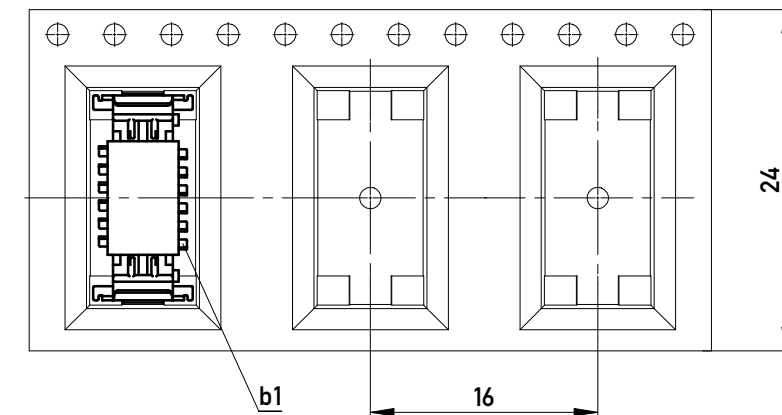
Sperrfläche
 Restricted area

Leiterplatten-Lay-out Rückseite
 PCB-Lay-out Back Side



Freifläche Lx 5mm auf der Leiterplatten-Unterseite
 für das Einpresswerkzeug. Keine Bauteile plazieren
 in diesem Bereich.
 PCB back side space Lx5mm
 for press tool. Do not place any parts in this space.

Abspulrichtung - Reel off Direction



Information:	Tolerances	 All Dimensions in mm	Scale	3:1
	All rights reserved. Only for Information. To ensure that this is the latest version of this drawing, please contact one of the ERNI companies before using.		Designation 1,27 DRC board on IDC 12-polig 12-contacts	
Subject to modification without prior notice. Drawing will not be updated.		 www.ERNI.com	244628	
b	02.08.2016		Class SMCIDC	
Index	Date	I A3		

Copyright by ERNI Production GmbH & Co. KG
 Proprietary notice pursuant to ISO 16016 to be observed.

Mouser Electronics

Authorized Distributor

Click to View Pricing, Inventory, Delivery & Lifecycle Information:

[TE Connectivity:](#)

[244628](#) [244628-E](#)