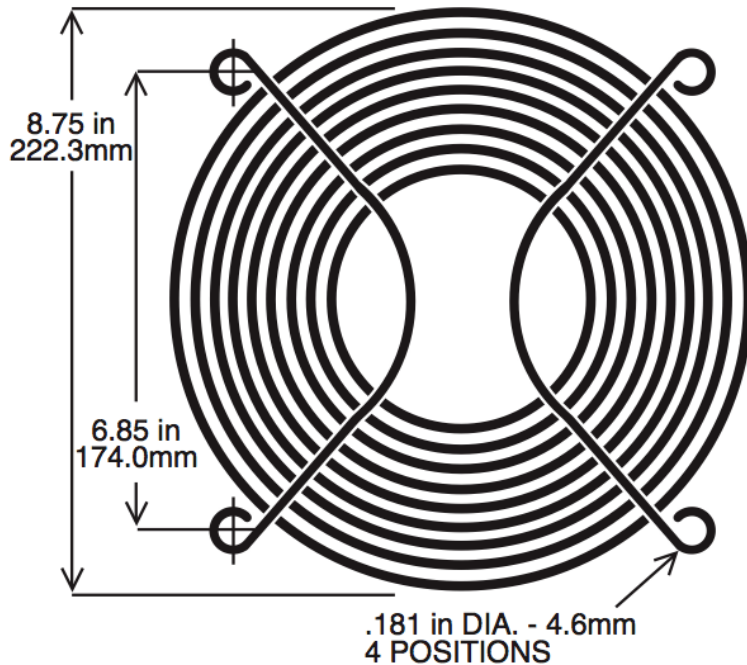


G254 Series



Fan Guards for 254mm Fan

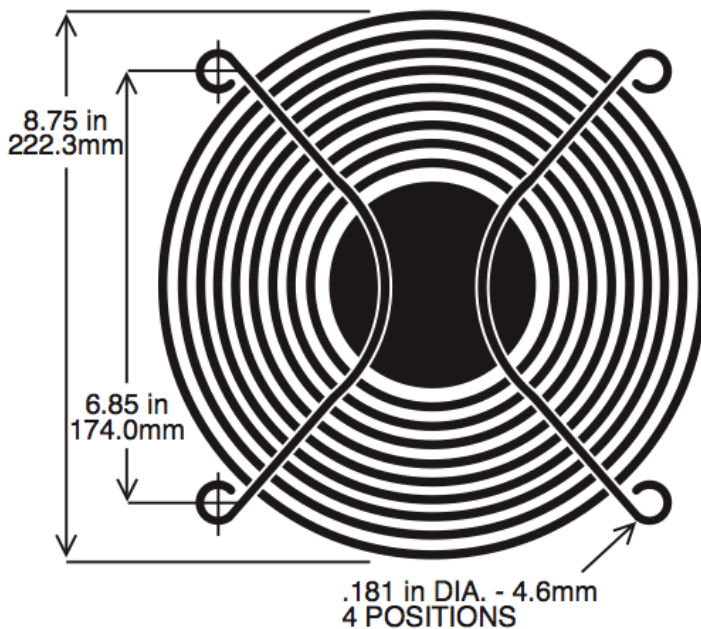


PART NO. G254-10

1. MATERIAL: C1008 BRIGHT BASIC WIRE
2. FINISH: BRIGHT NICKEL CHROME
3. RING DIA: 2.3mm
4. RIB DIA: 2.3mm
5. WELD JOINTS TO WITHSTAND 88LBS PULL FORCE
6. SPACING BETWEEN RINGS TO BE 5.16mm
7. GENERAL TOLERANCE UNLESS NOTED +/-0.5mm
8. PART MEETS 6.35mm PLUG GAUGE TEST

PART NO. G254-10/PK

10-PACK G254-10 GUARDS, BOXED



PART NO. G254-10P

1. MATERIAL: C1008 BRIGHT BASIC WIRE
2. FINISH: BRIGHT NICKEL CHROME
3. RING DIA: 2.3mm
4. RIB DIA: 2.3mm
5. WELD JOINTS TO WITHSTAND 88LBS PULL FORCE
6. GENERAL TOLERANCE UNLESS NOTED +/-0.5mm
7. PART MEETS 6.35mm PLUG GAUGE TEST

PART NO. G254-10P/PK

10-PACK G254-10P GUARDS, BOXED

Mouser Electronics

Authorized Distributor

Click to View Pricing, Inventory, Delivery & Lifecycle Information:

[Orion Fans:](#)

[G254-10P](#) [G254-10](#)