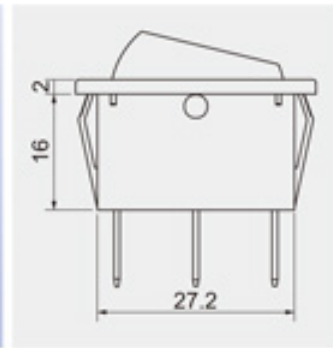


R13- -



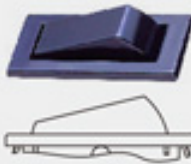
20A 12V DC



20A 12V DC
for R13-70 A, B, C, D, H, I
20A 12V DC
for R13-91 A, B, C

ROCKER

7 0



9 1



FUNCTION



Cut-out

X

Y

	X	Y
0.75-1.25	30.2±0.1	11.2±0.1
1.25-2	30.4±0.1	11.2±0.1
2-3	30.6±0.1	11.2±0.1

Cut-out for X8 ROCKER



	X	Y
0.75-1.25	30.2±0.1	11.2±0.1
1.25-2	30.4±0.1	11.2±0.1
2-3	30.6±0.1	11.2±0.1



TERMINAL

0 1 .250" SQ

0 5 SO
N/A for H, I