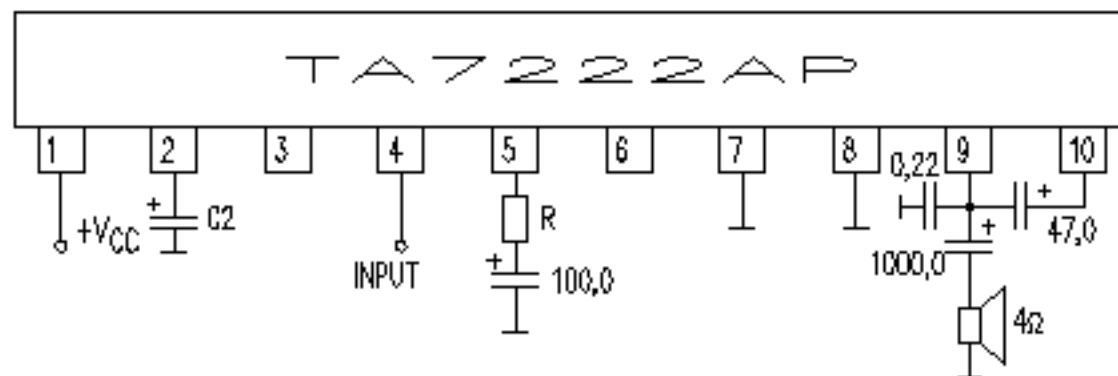
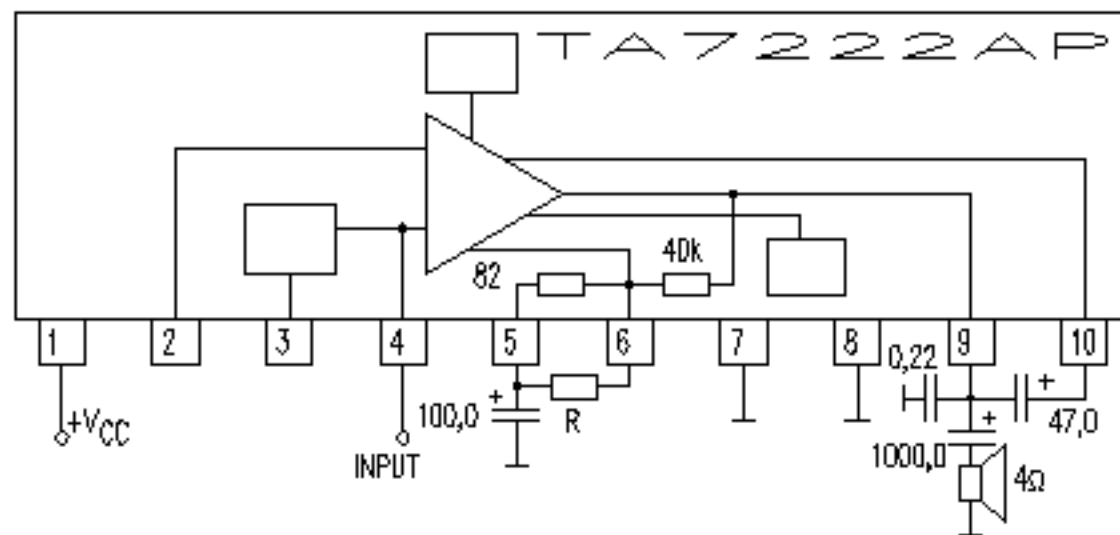


# TA7222AP

POWER AMPLIFIER  
5,8W



$V_{CC\ MAX} = 25V$   
 $V_{CC\ TYP} = 13,2V$   
 $V_{CC\ RNG} = 8...18V$

$P_o = 5,8W$   
 $R_L = 4\ \Omega$   
 $TDH = 10\%$

$I_{CC0\ TYP} = 40mA$   
 $I_{CC0\ MAX} = 80mA$   
 $I_{MAX} = 4,5A$

$R_{IN} = 34k$   
Gain = 53dB  
Noise = 3,5mkV

$R_{TH-C} = -$   
Case SIL10