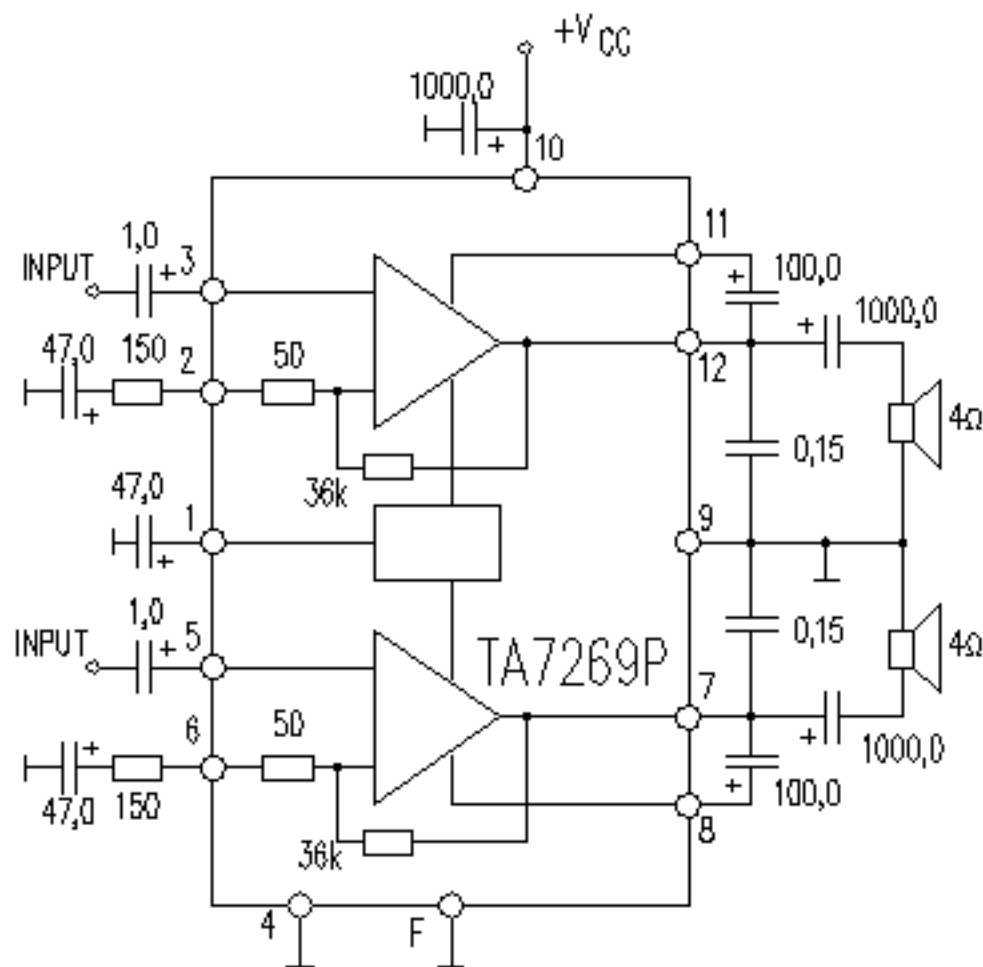


TA7269P

POWER AMPLIFIER 2x7W



V_{CC} MAX = 20V

V_{CC} TYP = 15V

V_{CC} RNG = 6...20V

P₀ = 2x7W

R_L = 3 Ohm

TDH = 10%

I_{CC0} TYP = 35mA

I_{CC0} MAX = 60mA

I_{MAX} = 4A

R_{IN} = 30k

Gain = 45dB

Noise = 2,5mkV

R_{THJ-C} = -

Case ZIL12