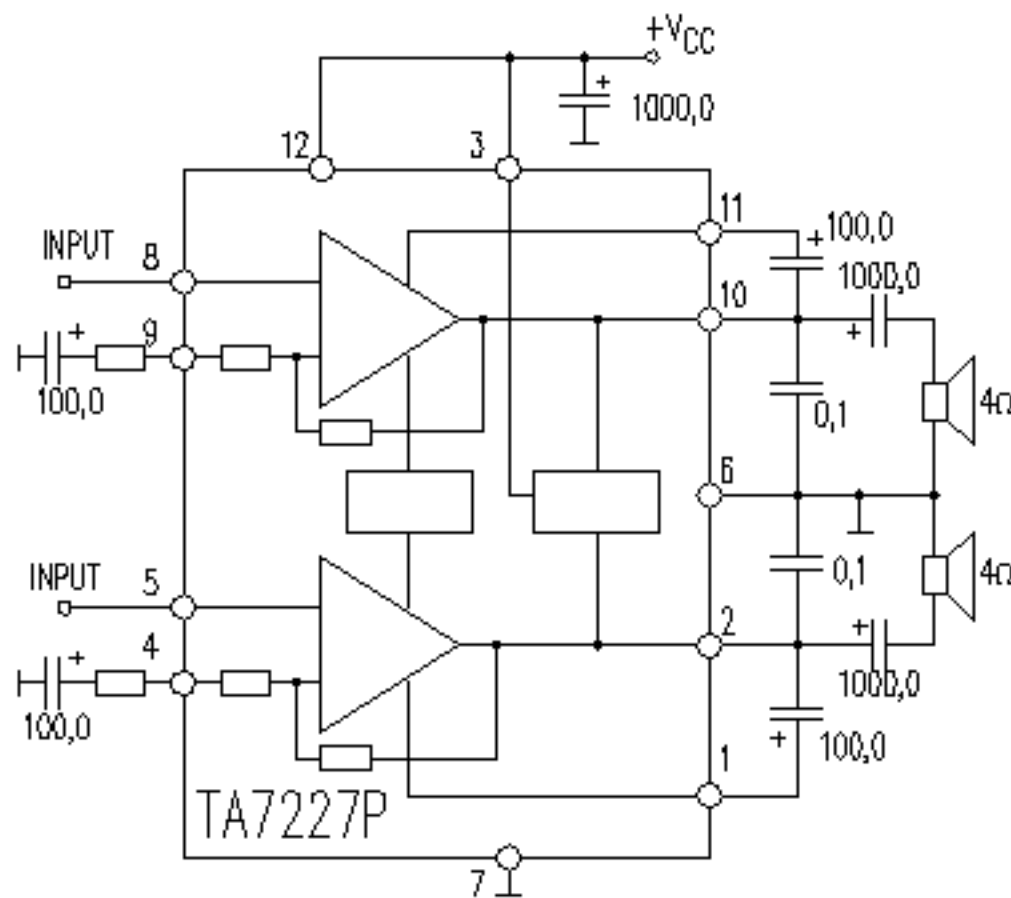


# TA7227P

POWER AMPLIFIER

2x5,8W



$V_{CC} \text{ MAX} = 25\text{V}$

$V_{CC} \text{ TYP} = 13,2\text{V}$

$V_{CC} \text{ RNG} = 8 \dots 18\text{V}$

$P_O = 2 \times 5,8\text{W}$

$R_L = 4 \text{ Ohm}$

$\text{TDH} = 10\%$

$I_{CCO} \text{ TYP} = 85\text{mA}$

$I_{CCO} \text{ MAX} = 200\text{mA}$

$I_{\text{MAX}} = 4,5\text{A}$

$R_{\text{IN}} = 35\text{k}$

$\text{Gain} = 54\text{dB}$

$\text{Noise} = 3\text{mV}$

$R_{\text{THJ-C}} = -$

Case SIL12