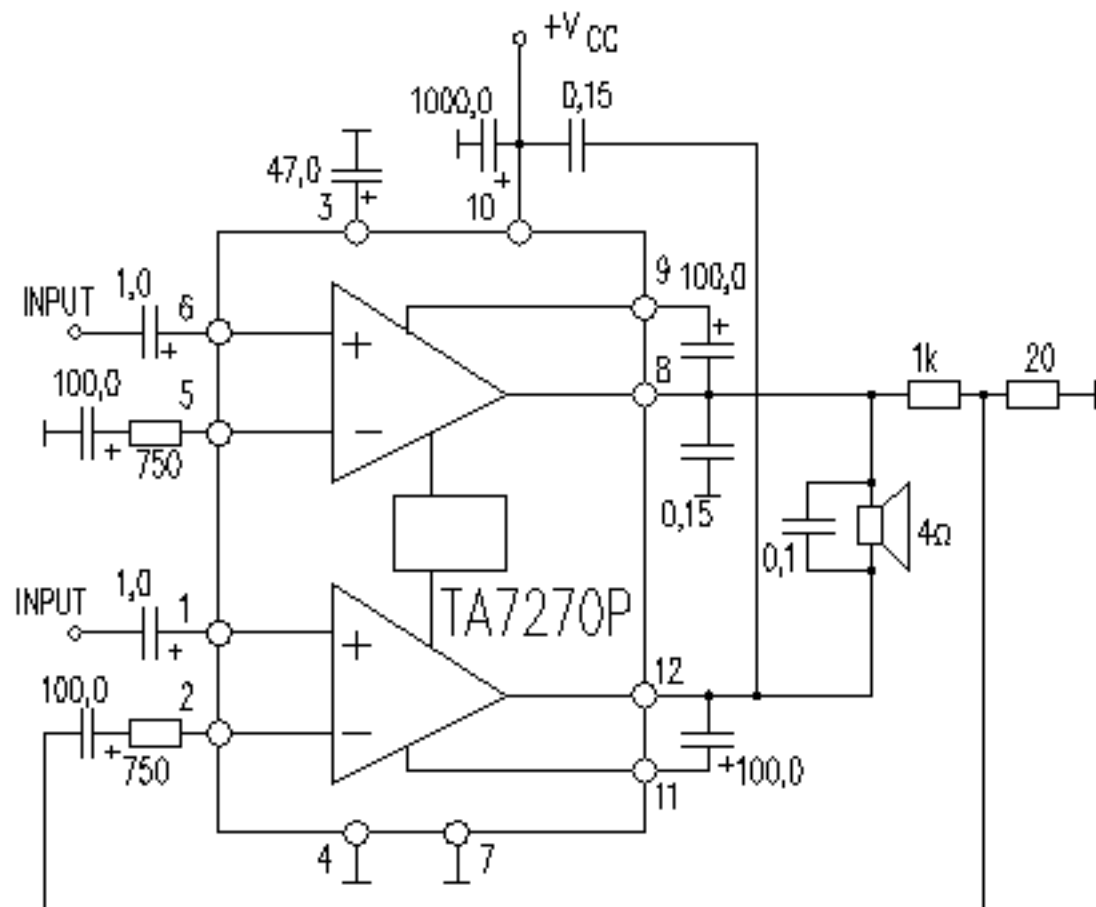


TA7270P

POWER AMPLIFIER 2x5,8W



$V_{CC\ MAX} = 25V$
 $V_{CC\ TYP} = 13,2V$
 $V_{CC\ RNG} = 9...18v$

$P_o = 2x5,8W$
 $R_L = 4\ \Omega$
 $TDH = 10\%$

$I_{CCO\ TYP} = 80mA$
 $I_{CCO\ MAX} = 145mA$
 $I_{MAX} = 4,5A$

$R_{IN} = 33k$
 $Gain = 52dB$
 $Noise = 2mkV$

$R_{TH-C} = -$
Case ZIL12