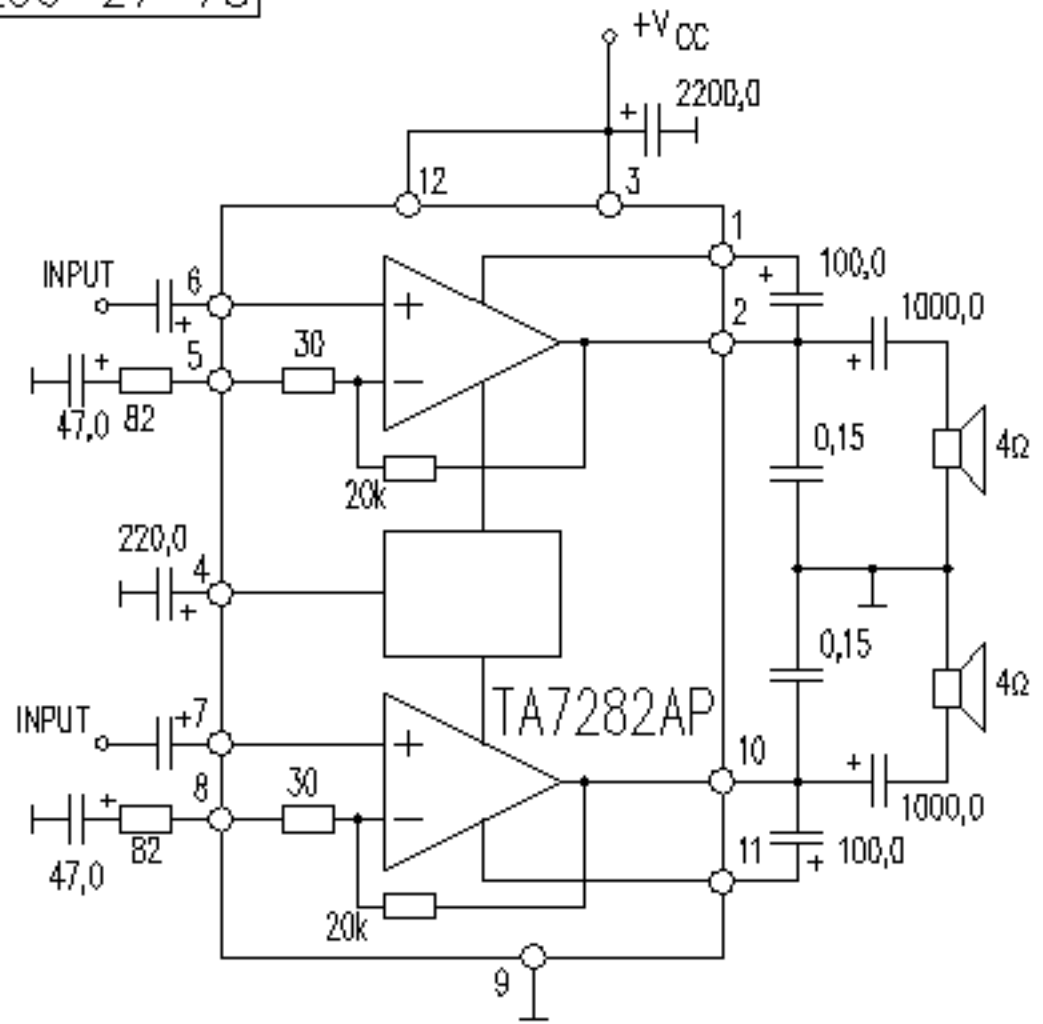


TA7282AP

POWER AMPLIFIER
2x4,5W



- VCC MAX = 16V
- VCC TYP = 12V
- VCC RNG = 6...15V
- Po = 2x4,5W
- RL = 4 Ohm
- TDH = 10%
- ICCO TYP = 19mA
- ICCB MAX = 45mA
- IMAX = 2,5A
- RIN = 30k
- Gain = 45dB
- Noise = 2mkV
- RTH-C = -
- Case SIL-12