

DESCRIPTION: M12 FEMALE - RIGHT ANGLE - 5 POS.

NOTE:

MATERIAL

HOUSING: PBT UL94V-0, BLACK
 CONTACT: BRASS
 NUT: BRASS
 O-RING: EPDM, BLACK
 BACK HOUSING: PBT, UL94V-0, BLACK
 DOWN HOUSING: PBT, UL94V-0, BLACK

FINISH

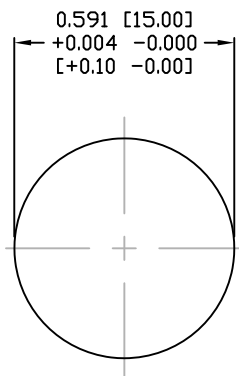
CONTACT: GOLD PLATED
 UNDER PLATE: NICKEL
 SHELL: STAIN NICKEL
 (80-100µ") OVER ALL

ELECTRICAL

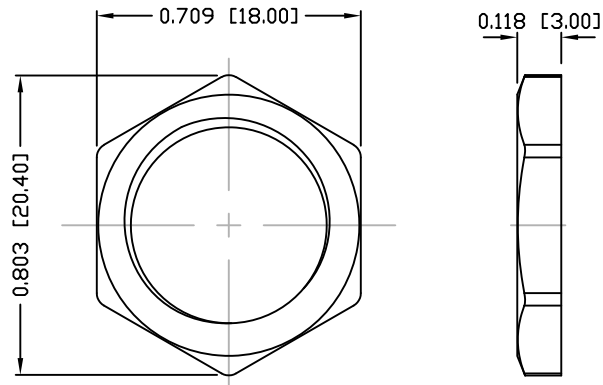
RATED CURRENT: 4A
 RATED VOLTAGE: 60V
 INSULATION RESISTANCE: 100 MΩhms MIN.
 CONTACT RESISTANCE: 10 mΩhms MAX.
 WATER PROOF: IP67

ENVIRONMENT

OPERATION TEMPERATURE: -40°C TO +85°C



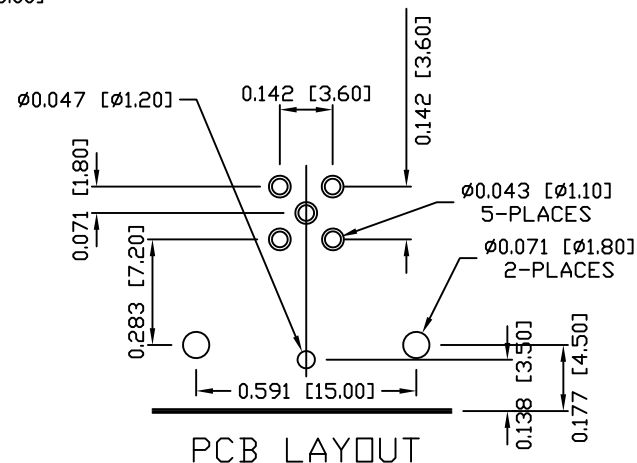
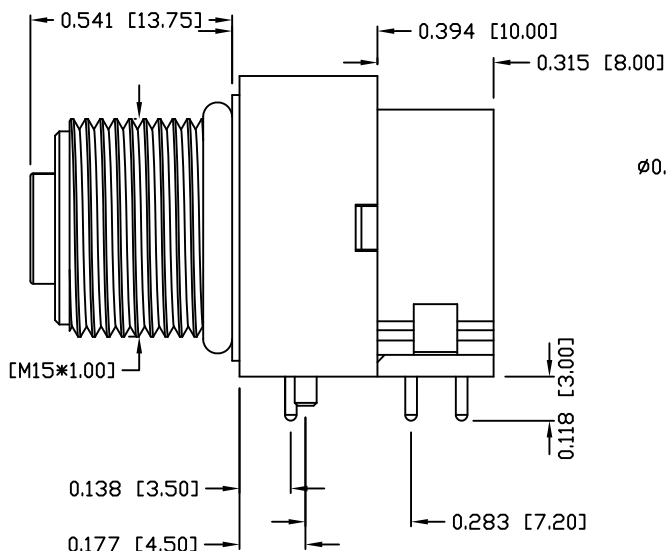
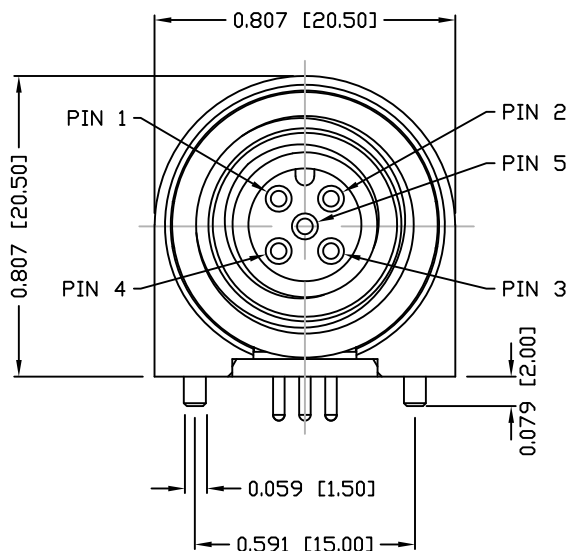
PANEL CUTOUT



NUT

861-005-213R00Y

3 = BRASS/NICKEL SHELL & NUT
 S = STAINLESS STEEL SHELL & NUT
 1 = GOLD FLASH
 4 = 10µ" GOLD



PCB LAYOUT

RoHS COMPLIANT

UNITS = INCHES [MM]

DO NOT SCALE FROM DRAWING



THESE DRAWINGS AND SPECIFICATIONS ARE THE PROPERTY OF NorComp AND SHALL NOT BE REPRODUCED, COPIED OR USED AS THE BASIS FOR THE MANUFACTURE OR SALE OF APPARATUS WITHOUT WRITTEN PERMISSION.

DRAWN:

M. SIGMON

DATE:

03-07-16

NorComp

SCALE:

NTS

SHEET OF

1 1

REV

4

DWG NO.

861-005-213R00Y

Mouser Electronics

Authorized Distributor

Click to View Pricing, Inventory, Delivery & Lifecycle Information:

[NorComp:](#)

[861-005-21SR004](#)