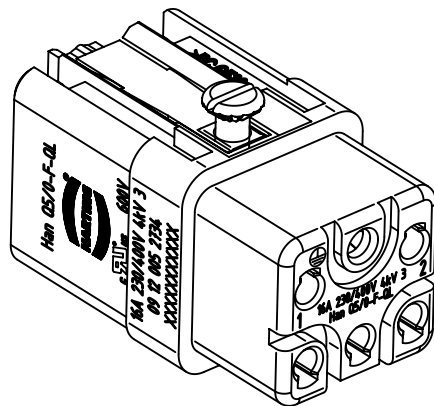
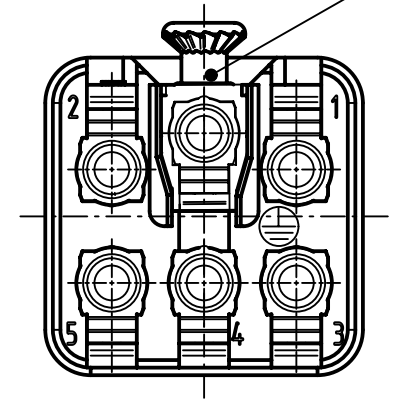


insert fixing screw M3x6
separately enclosed



	All Dimensions in mm Original Size DIN A4	Scale 2:1		Free size tol.		Ref.	
		Created by FINKEV		Inspected by NICHTERLEIN		Date 2017-11-14	
	All rights reserved Department EL PD - DE	Standardisation RUETERA		State Final Release		Sub.	
		Title Han Q5/0 Insert female quick lock 1,5mm ²					Doc-Key / ECM-Nr. 10021604.7//UGD/002/C 500000127359
HARTING Electric GmbH & Co. KG D-32339 Espelkamp		Type TB	Number 09 12 005 2734			Rev. C	Page 1/1